

# CONVEYOR COVERS



**FULL 180° COVERAGE  
CONVEYOR COVER**



**75% 135° COVERAGE  
CONVEYOR COVER**

Protecting your belt as well as your bulk material is important in the conveying industry. PPI offers a solution in both full and three-quarter conveyor covers. Standard in galvanized steel, you can count on PPI Conveyor Covers to be strong and hold up to a multitude of environmental challenges.

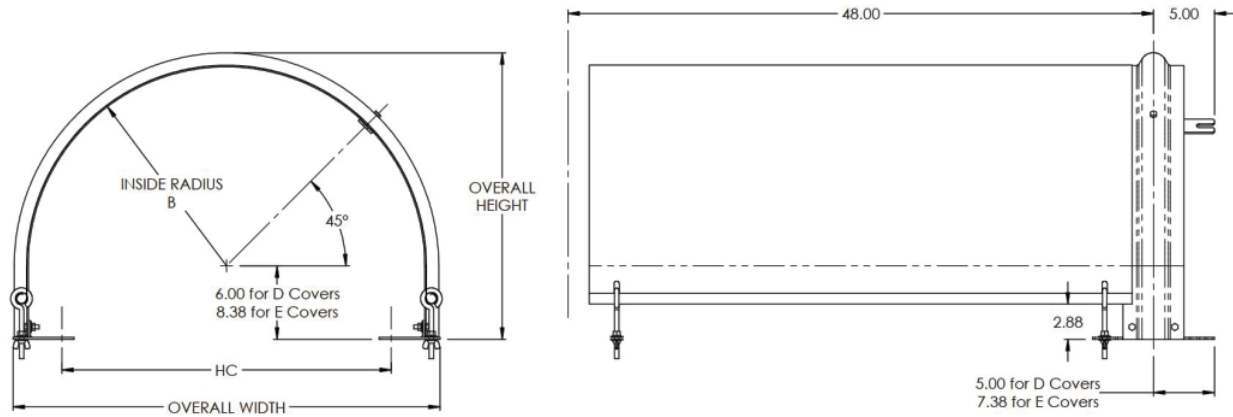
## FEATURES AND BENEFITS

- Available in full and three-quarter styles
- Galvanized for corrosion protection against the elements
- Match idler spacing for maintenance access
- Heavy duty galvanized steel mounting foot brackets
- Heavy gauge galvanized bands for greater rigidity
- Retaining bracket to hold the cover in an open position for maintenances
- Full-100% 180° Conveyor Cover can be opened for access to material and idlers
- Three-Quarter Conveyor Cover opened on one side for easy access to material and idlers
- Protects material and idlers from weather
- Protects the rubber belt from UV and weather
- Prevents the belt from lifting due to wind forces
- Increased operator safety
- Standard 4 foot long sections. 2 foot, 3 foot, 5 foot, and special lengths are available
- Side Shields for additional wind protection available
- Call PPI for additional options

## WHY COVER BELT CONVEYORS?

1. For the protection of the belt against the sun and weather resulting in longer belt life
2. For the protection of the materials:
  - With reduction of maintenance to the structures
  - To avoid loss of materials and productivity due to wind
  - To avoid deposits of rain water on the belt
  - To assure the efficiency of the industrial constructions linked to the belt
3. For operators' safety
4. To protect the environment:
  - Against dust
  - Against noise

# CONVEYOR COVERS – SPECIFICATIONS



## FULL COVERS FOR STANDARD CEMA B, C, & D TROUGHING IDLERS

BELT WIDTH	PART NUMBER	HC	OVERALL WIDTH	B	OVERALL HEIGHT	WEIGHT
18"	CCD1011848	27.00	35.00	16.25	23.40	44
20"	CCD1012048	29.00	37.00	17.25	24.40	46
24"	CCD1012448	33.00	41.00	19.25	26.40	50
30"	CCD1013048	39.00	47.00	22.25	29.40	56
36"	CCD1013648	45.00	53.00	25.25	32.40	61
42"	CCD1014248	51.00	59.00	28.25	35.40	72
48"	CCD1014848	57.00	65.00	31.25	38.40	78
54"	CCD1015448	63.00	71.00	34.25	41.40	85
60"	CCD1016048	69.00	77.00	37.25	44.40	91
66"	CCD1016648	75.00	83.00	40.25	47.40	97
72"	CCD1017248	81.00	89.00	43.25	50.40	103

Hardware kit included with top-level assembly part number

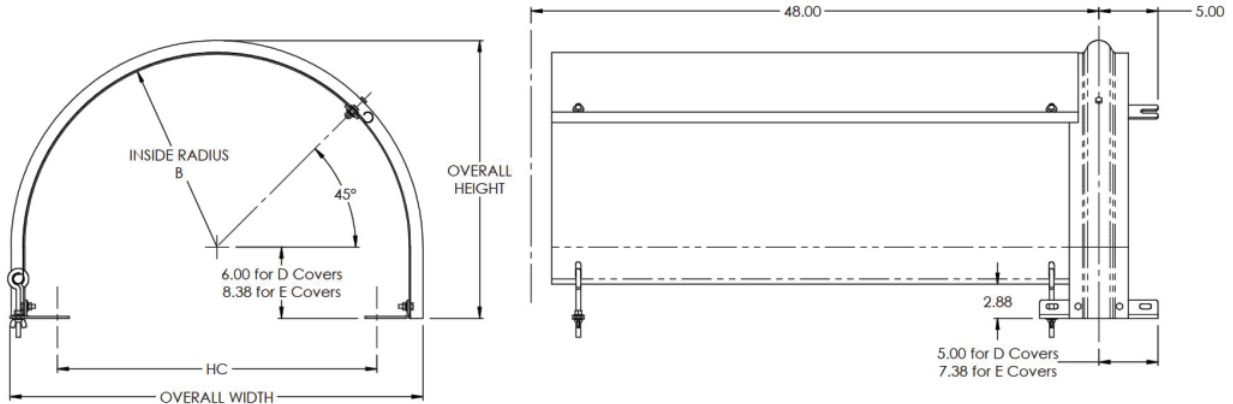
Hardware included:  
 4 - 3/8 - 16 eyebolts  
 4 - 3/8 - 16 nuts  
 4 - 3/8 - 16 wing nuts  
 8 - 3/8 washers  
 4 - 3/8 lock washers  
 5 - 5/16 - 18 bolts  
 5 - 5/16 - 18 nuts  
 4 - 5/16 washers  
 4 - 5/16 lock washers

## FULL COVERS FOR STANDARD CEMA E TROUGHING IDLERS

BELT WIDTH	PART NUMBER	HC	OVERALL WIDTH	B	OVERALL HEIGHT	WEIGHT
36"	CCE1013648	45.00	56.00	26.75	36.28	77
42"	CCE1014248	51.00	62.00	29.75	39.28	83
48"	CCE1014848	57.00	68.00	32.75	42.28	89
54"	CCE1015448	63.00	74.00	35.75	45.28	95
60"	CCE1016048	69.00	80.00	38.75	48.28	101
66"	CCE1016648	75.00	86.00	41.75	51.28	107
72"	CCE1017248	81.00	92.00	44.75	54.28	114

- Check clearances on self-training idlers and all other idlers not to CEMA Standard 502.
- 180° coverage
- Smooth 22 gauge galvanized steel
- Other lengths of covers are available. Contact your sales representative for more information.
- Side Shields for wind protection are available.
- An additional Support Band is needed to

# CONVEYOR COVERS – SPECIFICATIONS



## THREE-QUARTER COVERS FOR STANDARD CEMA B, C, & D TROUGHING IDLERS

BELT WIDTH	PART NUMBER	HC	OVERALL WIDTH	B	OVERALL HEIGHT	WEIGHT
18"	CCD3011848	27.00	34.90	16.25	23.40	38
20"	CCD3012048	29.00	36.90	17.25	24.40	39
24"	CCD3012448	33.00	40.90	19.25	26.40	42
30"	CCD3013048	39.00	46.90	22.25	29.40	47
36"	CCD3013648	45.00	52.90	25.25	32.40	52
42"	CCD3014248	51.00	58.90	28.25	35.40	62
48"	CCD3014848	57.00	64.90	31.25	38.40	67
54"	CCD3015448	63.00	70.90	34.25	41.40	72
60"	CCD3016048	69.00	76.90	37.25	44.40	77
66"	CCD3016648	75.00	82.90	40.25	47.40	82
72"	CCD3017248	81.00	88.90	43.25	50.40	88

Hardware kit included with top-level assembly part number

Hardware included:  
 2 - 3/8 - 16 eyebolts  
 2 - 3/8 - 16 nuts  
 2 - 3/8 - 16 wing nuts  
 4 - 3/8 washers  
 2 - 3/8 lock washers  
 7 - 5/16 - 18 bolts  
 7 - 5/16 - 18 nuts  
 8 - 5/16 washers  
 6 - 5/16 lock washers

## THREE-QUARTER COVERS FOR STANDARD CEMA E TROUGHING IDLERS

BELT WIDTH	PART NUMBER	HC	OVERALL WIDTH	B	OVERALL HEIGHT	WEIGHT
36"	CCE3013648	45.00	55.90	26.75	36.28	65
42"	CCE3014248	51.00	61.90	29.75	39.28	70
48"	CCE3014848	57.00	67.90	32.75	42.28	76
54"	CCE3015448	63.00	73.90	35.75	45.28	81
60"	CCE3016048	69.00	79.90	38.75	48.28	86
66"	CCE3016648	75.00	85.90	41.75	51.28	91
72"	CCE3017248	81.00	91.90	44.75	54.28	96

- Check clearances on self-training idlers and all other idlers not to CEMA Standard 502.
- 135° coverage
- Smooth 22 gauge galvanized steel
- Other lengths of covers are available. Contact your sales representative for more information.
- Side Shields for wind protection are available.
- An additional Support Band is needed to complete a section.

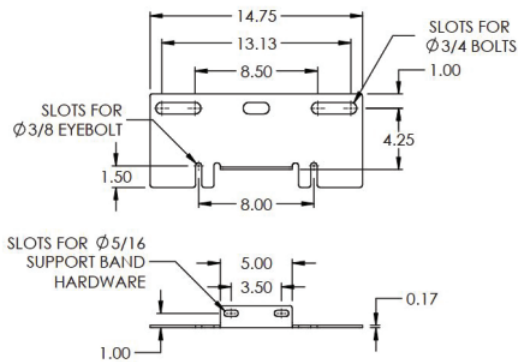
# CONVEYOR COVERS – SPECIFICATIONS



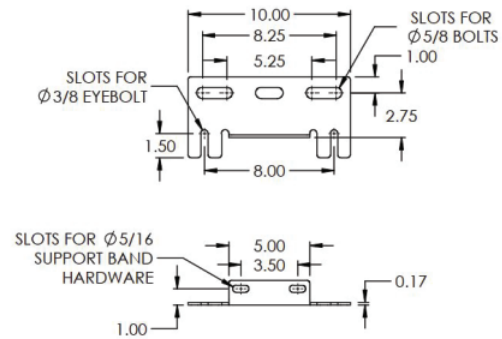
## FOOT BRACKET DETAILS FOR FULL CONVEYOR COVERS

For full covers, each support band has two full cover foot brackets.

FOOT BRACKET FOR E COVERS



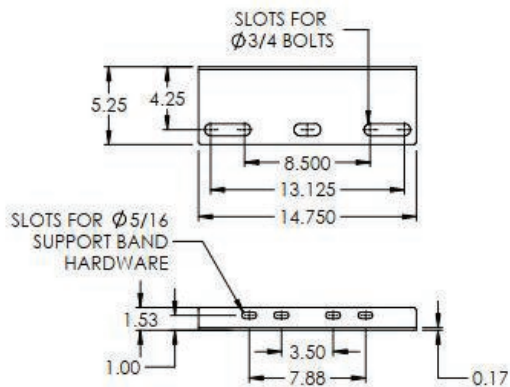
FOOT BRACKET FOR D COVERS



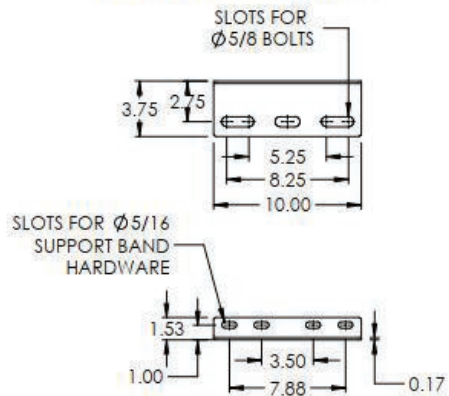
## FOOT BRACKET DETAILS FOR THREE-QUARTER CONVEYOR COVERS

For three-quarter covers, each support band has one full cover foot bracket and one three-quarter cover foot bracket.

FOOT BRACKET FOR E COVERS



FOOT BRACKET FOR D COVERS



[WWW.PPI-GLOBAL.COM](http://WWW.PPI-GLOBAL.COM) | [SALES@PPI-GLOBAL.COM](mailto:SALES@PPI-GLOBAL.COM)

**GOODYEAR**  
RUBBER PRODUCTS, INC.

+1.727.342.5087

También puede enviarnos un correo electrónico a [ventas@goodyearrubberproducts.com](mailto:ventas@goodyearrubberproducts.com)