



# PUSH-TO-CONNECT FITTINGS

For Pneumatic Automation, Potable Water  
and Aggressive Service Applications



**GOODYEAR**  
RUBBER PRODUCTS, INC.

+1.727.342.5087

También puede enviarnos un correo electrónico a  
[ventas@goodyearrubberproducts.com](mailto:ventas@goodyearrubberproducts.com)

# Connecting you to higher productivity.

Improved throughput, increased efficiency, smaller footprints, faster assembly, and leak-free innovation.

Our technically superior push-to-connect fittings, valves, cartridges, tubing, and accessories have been designed to engineer your success, offering you new ways to create value. Our partnership approach allows us to work together to create the solutions you need to operate more efficiently and effectively.

## FOOD PROCESSING

Meeting Stringent Sanitary and Aseptic Standards

### Types of Applications

MIXING • BAKING • COOLING • PACKAGING • FILLING • WASHING • LABELING • CONVEYING

### Performance Expectations

- FDA compliance
- Hygienic design
- Compact
- Highly reliable
- Ability to work in vacuum
- Wide range of chemical compatibility
- Ability to withstand high temperatures
- Detectability

### Applicable Products

LF3600 Electroless Nickel- Plated Brass Fittings  
LF3800 Stainless Steel Fittings  
Flow Controls  
LIQUIfit™ Thermoplastic Fittings  
TrueSeal™ Thermoplastic Fittings

## WATER AND BEVERAGE

Keeping it Clean, Keeping it Safe

### Types of Applications

FILTRATION • PURIFICATION • PROCESSING • DISPENSING • BOTTLING • TREATMENT

### Performance Expectations

- Manufactured from FDA-compliant materials
- Meets NSF/ANSI 61 requirements for potable water contact
- Excellent chemical resistance
- Wide range of materials for fluid compatibility
- Mechanical resistance
- Installation flexibility

### Applicable Products

LIQUIfit™ Thermoplastic Fittings  
TrueSeal™ Thermoplastic Fittings  
Check Valves  
Thermoplastic Ball Valves

## PULP AND PAPER

Highly Durable in Corrosive Applications

### Performance Expectations

- High reliability
- Maximum chemical resistance
- Cleanliness

### Applicable Products

LF3800 Stainless Steel Fittings  
Stainless Steel Flow Controls  
TrueSeal™ Kynar® Fittings

## PETROCHEMICAL

Improving Durability, Lessening Risk

### Types of Applications

PROCESSING • TRANSFERRING • PNEUMATIC CIRCUITS • COOLING • MEASURING

### Performance Expectations

- High chemical resistance
- Robust design
- Wide temperature range
- Quality traceability

### Applicable Products

LF3600 Electroless Nickel-Plated Brass Fittings  
LF3800 Stainless Steel Fittings  
TrueSeal™ Kynar® Fittings  
Flow Controls

## LIFE SCIENCE

Collaborating for Leak-Free Innovation

### Types of Applications

OXYGEN TRANSFER • FLUID TRANSFER • DISPENSING • CLEANING AND STERILIZATION • PNEUMATIC CIRCUITS

### Performance Expectations

- Quality traceability
- Cleanliness
- Compact design
- Suitable for use with O<sub>2</sub>
- High reliability
- Installation flexibility

### Applicable Products

LF3000 Composite Fittings  
LF3600 Electroless Nickel-Plated Brass Fittings  
LF3800 Stainless Steel Fittings  
LIQUIfit™ Thermoplastic Fittings  
TrueSeal™ Thermoplastic Fittings  
Flow Controls

## FACTORY/PROCESS AUTOMATION

Increasing Performance, Standardizing Inventory

### Types of Applications

PROCESSING • TRANSFERRING • PNEUMATIC CIRCUITS • COOLING • MEASURING

### Performance Expectations

- Compact design
- Weld splatter resistance
- Robustness
- Vacuum performance
- High reliability
- Mechanical resistance
- Installation flexibility

### Applicable Products

LF3000 Composite Fittings  
LF3600 Electroless Nickel-Plated Brass Fittings  
LF3800 Stainless Steel Fittings  
LIQUIfit™ Fittings  
TrueSeal™ Thermoplastic Fittings  
Flow Controls

## AUTOMOTIVE WELDING

Wide Temperature Range, Weld Spatter Resistant

### Performance Expectations

- High reliability

### Applicable Products

LF3600 Electroless Nickel-Plated Brass Fittings

# Product Line



## LF3000 Composite

### Specifications:

#### Pressure Range

- Up to 290 PSI (19.9 bar)
- Up to 260 PSI (17.9 bar) (3/16" tubing size only)

#### Temperature

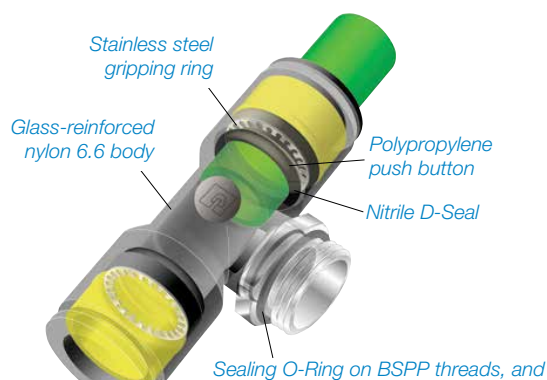
- -4° to +175° F (-20° to +79.4°C)
- +5° to +155° F (-15° to +68.3°C) (3/16" size only)

### Product Features:

- Stainless steel gripping ring
- Glass-reinforced nylon 6.6 body
- Nitrile D-seal for air and inert gas
- NPT, BSPT, BSPP, metric threads & plug-in options
- Widest range of configurations
- Round internal hex on straights allows for easy assembly in tight areas
- Oxygen cleaning available - Meets ISO 15001

**Applications:** Dry bulk packaging, factory automation, life sciences (respiratory)

**Compatible Tubing:** Fluoropolymer, Nylon, Polyethylene, Polyurethane 95 Durometer Shore A



## Prestolok PLP Metal / PrestoWeld

### Specifications:

#### Pressure Range

- Up to 300 PSI (20.6 bar)  
depending on tubing

#### Temperature

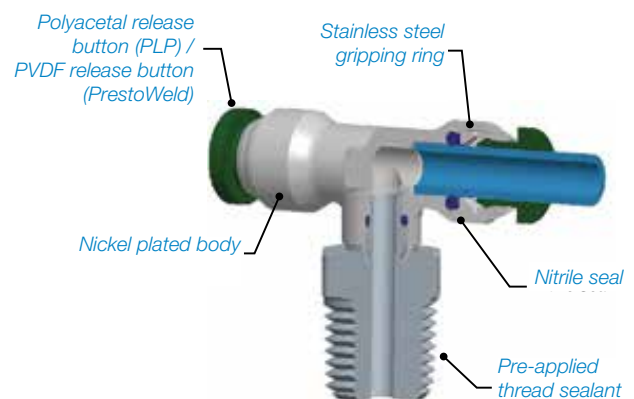
- 0° to +200° F (-17.7° to +93.3° C)

### Product Features:

- Stainless steel gripping ring
- Nickel-plated brass body
- Nitrile seal (EPDM & FKM available)
- NPT threads
- Available in Inch only
- PrestoWeld meets UL94 V-0 for flame resistance

**Applications:** Dry bulk packaging, factory automation, car wash equipment

**Compatible Tubing:** Fluoropolymer, Nylon, Polyethylene, Polyurethane 95 Durometer Shore A, Polyethylene, 95FR Flame Resistant



# Product Line



## LF3600 Electroless Nickel-Plated Brass

### Specifications:

#### Pressure Range

- Up to 435 PSI (30 bar)

#### Temperature

- -13° to +302° F (-25° to +150° C)



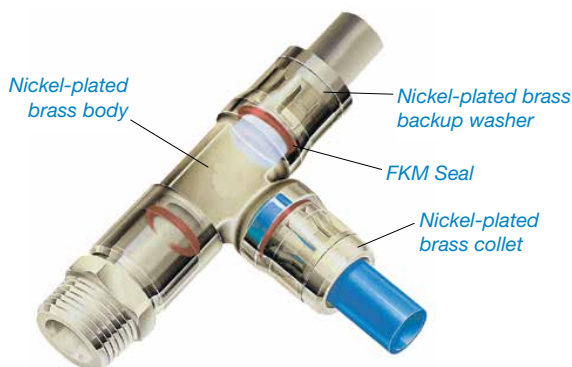
Note: Units with thread sealant do not meet FDA compliance.

### Product Features:

- Electroless nickel-plated collet and body for chemical and welding spark resistance
- FKM seal for chemical and air applications
- NPT, BSPT, BSPP, and metric threads
- Round internal hex on straights allows for easy assembly in tight areas

**Applications:** Food wash down for OEM, automotive welding

**Compatible Tubing:** Fluoropolymer, Nylon, Polyethylene, Polyurethane 95 Durometer Shore A, Stainless Steel (grooved), Copper (grooved)



## LF3800 Stainless Steel

### Specifications:

#### Pressure Range

- Up to 435 PSI (30 bar)

#### Temperature

- -13° to +302° F (-25° to +150° C)



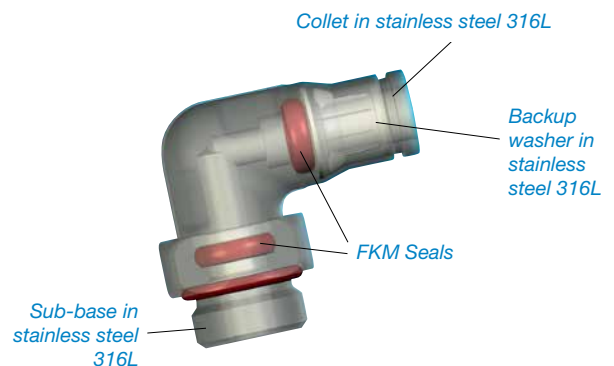
Note: Units with thread sealant do not meet FDA compliance.

### Product Features:

- Stainless steel 316L body, collet, & backup washer provide maximum resistance to chemicals, corrosion, shock and abrasion
- FKM seal for chemical and air applications
- NPT, BSPT, BSPP, and metric threads
- Hygienic smooth design reduces retention zones for easy cleaning

**Applications:** Food wash down for MRO, pulp and paper

**Compatible Tubing:** Fluoropolymer, Nylon, Polyethylene, Polyurethane 95 Durometer Shore A, Stainless Steel (grooved), Copper (grooved)



# How to Order

LF3000, LF3600 & LF3800

## FRACTIONAL INCH: LF3000, LF3600, and LF3800

31 09 56 14  
**A B C D**

## METRIC LF3000, LF3600, and LF3800

31 09 08 10  
**A B C D**

**A**

### Series

30 / 31 LF3000  
 36 LF3600  
 38 LF3800

**B**

### Fitting Configuration

02	Union Elbow	56	Plug-In Bulkhead Union
03	Male Run Tee	59	Oscillating Compact Male Elbow
04	Union / Unequal Union Tee		Reducer
06	Union / Unequal Union	66	Expander
07	Equal Cross	68	Male Connector (round body)
08	Male Branch Tee	71	Male Connector
09	Male / Female Elbow		Male Connector
12	Double Y Male Connector	75	45° Plug-In Elbow
14	Female Connector	80	Plug-In Elbow
16	Bulkhead Union	82	Plug-In Run Tee
18	Banjo	83	Extended Plug-In Elbow
20	Double Male Union	84	Plug-In Tee
22	Barbed Connector	88	Self-Sealing Male Connector
26	Plug	91	45° Male Elbow
29	Extended Male Elbow		Male Standpipe
36	Female Bulkhead	13 / 33	
39	Equal Bulkhead Elbow	21 / 31	
40	Y Union		
42	Plug-In Y		
44	Multiple Y Union		
48	Y Male Connector		
49	Twin Banjo		
51	End Cap		

**C**

### Tube/Stem Size

04 [5/32] 4mm  
 08 [5/16] 8mm  
 53 1/8  
 55 3/16  
 56 1/4  
 60 3/8  
 62 1/2

**D**

### Thread or Tube OD

00 No Threads  
 08 1/16 NPT  
 11 1/8 NPT  
 14 1/4 NPT  
 18 3/8 NPT  
 20 10-32 UNF  
 22 1/2 NPT

**A**

### Series

30 / 31 LF3000  
 36 LF3600  
 38 LF3800

**B**

### Fitting Configuration

01	Male Connector	58	Y Male Connector
02	Union Elbow	60	Self-Sealing Plug-In Connector
04	Union / Unequal Union Tee		Reducer
06	Union / Unequal Union	66	Expander
07	Equal Cross	68	Extended Male Elbow
14	Female Connector	69	45° Plug-In Elbow
16	Bulkhead Union	80	Male Connector (round body)
19	Double Banjo	81	Plug-In Elbow
20	Double Male Union		Plug-In Run Tee
22	Barbed Connector	82	Extended Plug-In Elbow
24	Banjo w/ BSPP Bolt	83	Plug-In Tee
26	Plug	84	Extended Plug-In Elbow
31	Male Standpipe	88	Plug-In Tee
32	Double Y Male Connector	89	Oscillating Compact Male Elbow
33	45° Male Elbow	91	Self-Sealing Male Connector
39	Equal Bulkhead Elbow		Female Elbow
40	Y Union	92	Male Run Tee
42	Plug-In Y	93	Male Branch Tee
43	Plug-In Multiple Y	98	Male Elbow
44	Multiple Y Union		
46	Female Bulkhead		
51	End Cap		
56	Plug-In Bulkhead Union		

**C**

### Tube/Stem Size

04 4mm [5/32]  
 06 6mm  
 08 8mm [5/16]  
 10 10mm  
 12 12mm  
 14 14mm  
 16 16mm

**D**

### Thread or Tube OD

00 No Threads  
 09 M3x0.5  
 10 1/8 BSPT / BSPP  
 13 1/4 BSPT / BSPP  
 17 3/8 BSPT / BSPP  
 19 M5x0.8  
 21 1/2 BSPT / BSPP  
 55 M7x1  
 60 M10x1  
 67 M12x1.5

Note: Not all Fitting Configurations are available in all Series, Tube OD, and/or Thread size

# LF3000 Composite Fittings

## threaded fittings

<b>3175</b> Male Connector NPT or BSPT	<b>3171</b> Male Connector UNF	<b>3181</b> Male Connector Metric	<b>3101</b> Male Connector BSPP or Metric	<b>3014</b> Female Connector NPT or UNF	<b>3114</b> Female Connector BSPP or M5	<b>3109</b> Male Elbow NPT or BSPT	<b>3199</b> Male Elbow BSPP or Metric
<b>3129</b> Male Elbow NPT, UNF or BSPT	<b>3169</b> Male Elbow BSPP or Metric	<b>3159</b> Male Elbow oscillating, NPT or BSPT	<b>3189</b> Male Elbow oscillating, BSPP or M5	<b>3009</b> Female Elbow NPT or UNF	<b>3192</b> Female Elbow BSPP	<b>3113</b> 45° Male Elbow NPT, UNF or BSPT	<b>3133</b> 45° Male Elbow BSPP or M5
<b>3108</b> Male Branch Tee NPT, BSPT or UNF	<b>3198</b> Male Branch Tee BSPP or M5	<b>3008</b> Female Branch Tee NPT	<b>3103</b> Male Run Tee NPT or BSPT	<b>3193</b> Male Run Tee BSPP or M5	<b>3121</b> Male Standpipe NPT, UNF or BSPP	<b>3131</b> Male Standpipe BSPP or M5	<b>3148</b> Y Male Connector NPT
<b>3158</b> Y Male Connector BSPP or M5	<b>3112</b> Double Y Male Connector BSPT	<b>3132</b> Double Y Male Connector BSPP	<b>3018</b> Banjo NPT, UNF or BSPT	<b>3118</b> Banjo BSPP or Metric	<b>3124</b> Banjo Bolt BSPP or M5	<b>3149/3049</b> Twin Banjo UNF, BSPP or M5	<b>3119</b> Double Banjo BSPP or M5

## tube to tube fittings

<b>3106</b> Union	<b>3102</b> Union Elbow	<b>3104</b> Union Tee	<b>3140</b> Y Union	<b>3144</b> Multiple Y Union	<b>3304</b> Multiple Tee	<b>3306</b> Double Multiple Tee	<b>3107</b> Equal Cross Tee

## bulkhead connector fittings

<b>3146</b> Female Bulkhead	<b>3036/3136</b> Female Bulkhead NPT or BSPP	<b>3139</b> Equal Bulkhead Elbow	<b>3116</b> Bulkhead Union	<b>3156</b> Plug-in Bulkhead Union

## plug-in fittings

<b>3182</b> Plug-In Elbow	<b>3184</b> Extended Plug-In Elbow	<b>3180</b> 45° Plug-In Elbow	<b>3188</b> Plug-In Tee	<b>3183</b> Plug-In Run Tee	<b>3142</b> Plug-In Y	<b>3143</b> Plug-In Multiple Y
<b>3166</b> Reducer	<b>3168</b> Expander					

## plug-in accessories

<b>3120</b> Double Male Union	<b>3126</b> Plug	<b>3122</b> Barbed Connector

## self-sealing fittings

<b>3091</b> Self-Sealing Male Connector NPT or BSPT	<b>3391</b> Self-Sealing Male Connector BSPP	<b>3160</b> Self-Sealing Plug-In Connector

# LF3000 Composite Fittings

## multi-connectors and din rail connectors

**3379**  
Connector for  
2 Tubes In Line



**3381**  
Connector for  
3 Tubes



**3300**  
Modular Plug-In  
Connectors



**3320**  
Male Connector  
Body



**3321**  
Female Connector  
Body



**3329**  
Cap



## modular fittings

**3538**  
Single Banjo Body



**3539**  
Double Banjo  
Body



**3549**  
Twin Banjo Body



**3527**  
Single Banjo Bolt  
BSP or M5



**3528**  
Stacking Banjo  
BSP or M5



**3529**  
Stacking Banjo  
BSP



**3524**  
Female Threaded  
Banjo Bolt  
BSP or M5



## accessories

clip



**3151**  
End Cap



**3000 70**  
Disconnection  
Tool



**7000**  
Joining Clips



**3110/3330**  
Caps



**3000 71 00**  
Tube Cutter



# Prestolok PLP Metal Fittings

## threaded fittings

**W169PLP**  
Male Elbow Swivel  
NPT



**W169PLPNS**  
Male Elbow NPT



**W171PLP**  
Male Run Tee  
Swivel NPT



**W172PLP**  
Male Branch Tee  
Swivel NPT



**66PLP**  
Female Connector  
NPT



**W68PLP**  
Male Connector  
NPT



**68PLP**  
Male Connector  
NPT



**68PLPR**  
Male Connector  
Round Body NPT



## threaded fittings

**PLPHF4-B**  
Male Connector  
NPT



## tube to tube

**164PLP**  
Union Tee NPT



**165PLP**  
Union Elbow NPT



**62PLP**  
Union NPT



## bulkhead union

**62PLPBH**  
Bulkhead Union  
NPT



**66PLPBH**  
Female Bulkhead  
Union NPT



# LF3600 All Metal Fittings

## threaded fittings

**3675**  
Male Connector  
NPT UNF or BSPT



**3601**  
Male Connector  
BSP or Metric



**3681**  
Male Connector  
M5



**3014/3615**  
Female Connector  
BSP or Metric



**3614**  
Female Connector  
NPT, UNF or BSPT



**3609**  
Male Elbow  
NPT, UNF or BSPT



**3699**  
Male Elbow  
BSP or Metric



**3629**  
Extended Male  
Elbow  
BSPT





# LF3600 All Metal Fittings

**3669**  
Extended Male  
Elbow  
BSPP or M5



**3608**  
Male Branch Tee  
NPT, UNF or BSPT



**3698**  
Male Branch Tee  
BSPP or M5



**3603**  
Male Run Tee  
NPT, UNF or BSPT



**3693**  
Male Run Tee  
BSPP or M5



**3621**  
Male Standpipe  
BSPT



**3631**  
Male Standpipe  
BSPP or M5



## banjo

**3618**  
Banjo  
BSPP or M5



## tube to tube fittings

**3606**  
Union



**3602**  
Union Elbow



**3604**  
Union Tee



## bulkhead connectors

**3616**  
Bulkhead Union



**3636**  
Female Bulkhead



**3639**  
Equal Bulkhead  
Elbow



## accessories

**3666**  
Reducer



**3668**  
Expander



**3667**  
Adapter



**3188**  
Barbed  
Connector



**3622**  
Plug-In Barbed  
Connector



**3120**  
Double Male  
Union



**3620**  
Double Male  
Union



**3126**  
Plug



**3626**  
Plug



**3800 70 00**  
Groove Tool



# LF3800 Stainless Steel Fittings

## threaded fittings

**3805**  
Male Connector  
NPT, UNF or BSPT



**3801**  
Male Connector  
BSPP or M5



**3889**  
Male Elbow  
NPT or BSPT



**3879**  
Male Elbow  
BSPP



**3809**  
Extended Male  
Elbow  
NPT, UNF or BSPT



**3899**  
Extended Male  
Elbow  
BSPP or M5



**3808**  
Male Branch Tee  
NPT or BSPT



**3898**  
Male Branch Tee  
BSPP or M5



**3803**  
Male Run Tee  
NPT or BSPT



**3893**  
Male Run Tee  
BSPP or M5



**3821**  
Male Standpipe  
NPT or BSPT



**3831**  
Male Standpipe  
BSPP or M5



## tube to tube fittings

**3806**  
Union



**3802**  
Union Elbow



**3804**  
Union Tee



**3816**  
Bulkhead Union



## accessories

**3866**  
Reducer



**3826**  
Plug



**3800 70 00**  
Groove Tool



# Flow Control Valves



## Specifications:

### Pressure Range

- 15 to 145 PSI (1.0 to 9.9 bar)

### Temperature

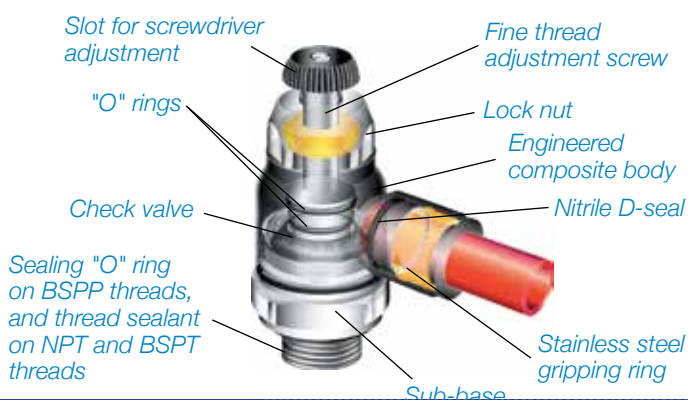
- +32° to +158° F (0° to +70°C)

## Product Features:

- Control the speed of a pneumatic cylinder
- Composite, electroless nickel-plated brass, and stainless available
- Metering out and metering in configurations
- Adjustment screw or knobless available
- Threaded, swivel, in-line, and plug-in configurations
- Compact and miniature designs
- Stainless steel offers hygienic design for wash down applications

**Applications:** Packaging, filling, dispensing, bottling, pneumatic circuits

**Compatible Tubing:** Polyethylene, Polyurethane 95 Durometer Shore A, Semi-rigid Nylon, FEP Fluoropolymer



## How to Order

### FRACTIONAL INCH

70 31 56 14  
**A B C D**

### METRIC

77 10 08 10  
**A B C D**

### A Series

70	Compact Flow Control	77	In-Line Flow Control
71	Metal Flow Control		Control
76	Miniature Flow Control	78	Stainless Steel Flow Control

### B Fitting Configuration

Fractional Inch		Metric	
05	Metal Push-to-Connect Meter Out	00	Metal Push-to-Connect Meter Out
15	Metal Threaded Meter Out	01	Metal Push-to-Connect Meter In
30	Plug-In Meter Out	10	Compact Knobless Meter Out; Metal Threaded Meter Out; Stainless Steel Threaded Knobless Meter Out
31	Plug-In Meter In	11	Compact Knobless Meter In; Metal Threaded Meter In
35	Stainless Steel Push-to-Connect Knobless Meter Out	12	Compact Knobless Bi-Directional; Stainless Steel Threaded Knobless Bi-Directional
65	Compact Meter Out	30	Plug-In Meter Out
66	Compact Meter In	31	Plug-In Meter In
67	Compact Bi-Directional	40	Compact Swivel Meter Out
70	In-Line	49	Compact Swivel Meter In
72	In-Line Bi-Directional	60	Compact Meter Out; Miniature Meter Out; Metal Compression Meter Out
75	Threaded In-Line	61	Compact Meter In
10 / 15	Compact Knobless Meter Out; Stainless Steel Threaded Knobless Meter Out	62	Compact Bi-Directional; Miniature Bi-Directional
11 / 16	Compact Knobless Meter In	69	Miniature Meter In
12 / 17	Stainless Steel Threaded Knobless Bi-Directional	70	In-Line
20 / 25	Miniature Knobless Meter In	71	Threaded In-Line
40 / 45	Compact Swivel Meter Out	72	In-Line Bi-Directional
60 / 65	Miniature Meter Out	76	In-Line Panel Mount
68 / 69	Miniature Meter In		

### C Tube/Stem Size

Fractional Inch	Metric
04	4mm (5/32)
08	8mm (5/16)
53	1/8
56	1/4
60	3/8
04	4mm (5/32)
06	6mm
08	8mm (5/16)
10	10mm
12	12mm
14	14mm

### D Thread or Tube OD

Fractional Inch	Metric
00	No Threads
11	M3x0.5
14	1/8 BSPT / BSPP
18	1/4 BSPT / BSPP
20	3/8 BSPT / BSPP
22	M5x0.8
	21 1/2 BSPT / BSPP

# Flow Control Valves

## flow controls – nylon

**7065**

Compact Meter Out  
NPT or BSPT



**7060**

Compact Meter Out  
BSPP



**7067**

Compact Bi-directional  
NPT or BSPT



**7062**

Compact Bi-directional  
BSPP



**7066**

Compact Meter In  
NPT or BSPT



**7061**

Compact Meter In  
BSPP



**7015/7016**

Knobless Compact  
Meter Out/In  
NPT or UNF



**7010/7011**

Knobless Compact  
Meter Out/In  
BSPP or M5



**7012**

Knobless Bi-directional  
BSPP or M5



**7660/7669**

Miniature Meter Out/In  
UNF



**7665/7668**

Miniature Meter Out/In  
NPT or BSPT



**7660/69/62**

Miniature Meter Out/In,  
Bi-directional  
BSPP or M5



**7625**

Knobless Mini Meter Out  
NPT



**7620**

Knobless Mini Meter Out  
UNF



**7045**

Compact Swivel Outlet  
Meter Out  
NPT or BSPT



**7640/7645**

Mini Swivel Outlet  
Meter Out  
NPT, UNF or BSPT



**7040/7041**

Compact Swivel Outlet  
Meter Out/In  
BSPP



**7640/7649**

Mini Swivel Outlet  
Meter Out/In  
BSPP or M5



**7630/7631**

Plug-in Mini Meter Out/In



**7030/7031**

Plug-in Compact Meter Out/In



**7770/7772**

In-line



**7776**

In-line



**7775**

In-line  
NPT



**7771**

In-line  
BSPP



## flow controls – metal

**7105**

Push-to-Connect  
Meter Out  
NPT



**7100/7101**

Push-to-Connect  
Meter In/Out  
BSPP



**7115**

Threaded Port  
Meter Out  
NPT



**7110/7111**

Threaded Port  
Meter In/Out  
BSPP



**7160**

Compression  
Knobless  
Meter Out  
BSPP



**7835**

Push-to-Connect  
Knobless  
Meter Out  
NPT



**7810/7812**

**7815/7817**  
Threaded Port  
Knobless  
Meter Out  
NPT or UNF

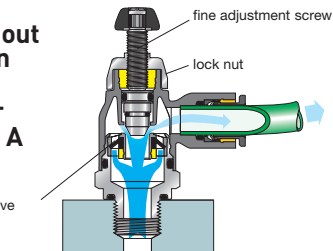


**7810/7812**

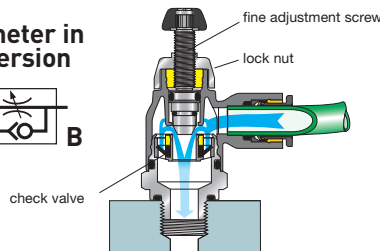
Threaded Port  
Knobless  
Meter Out/  
Bi-directional  
BSPP or M5



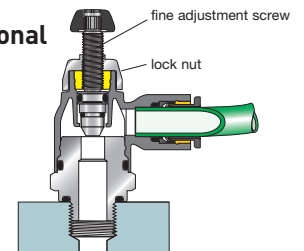
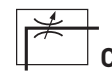
**meter out version**



**meter in version**



**bi-directional version**



# LIQUIfit™ Fittings



## Specifications:

### Pressure Range

- Up to 230 PSI (15.9 bar)

### Temperature

- +35° to +200° F (1.7° to +93.3°C)

### Product Features:

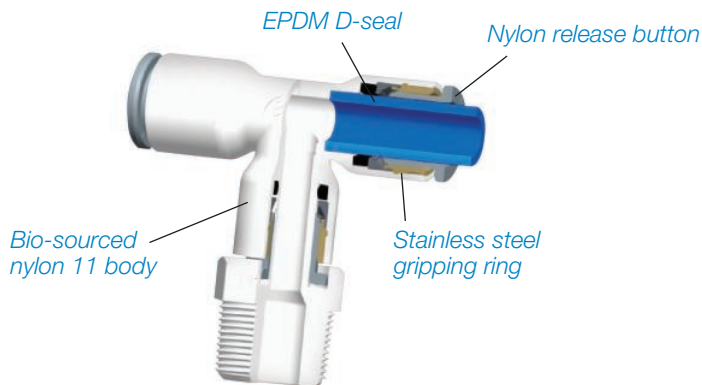
- Stainless steel grab ring
- Bio-sourced nylon 11 body
- EPDM D-seal
- FDA compliant, NSF/ANSI 51 and NSF/ANSI 61
- Silicone free
- 100% leak tested in production
- Date coding to guarantee quality and traceability

**Applications:** Water, beverages, food, CO<sub>2</sub>

**Compatible Tubing:** Polyethylene

## MARKETS

- Water Filtration
- Life Science
- Beverage Dispensing
- Bottling



## How to Order

### FRACTIONAL INCH LIQUIfit™

6505	56	11	W	P2
<b>A</b>	<b>B</b>	<b>C</b>	<b>D</b>	<b>E</b>

### METRIC LIQUIfit™

6509	06	13	W	P2
<b>A</b>	<b>B</b>	<b>C</b>	<b>D</b>	<b>E</b>

#### **A** Fitting Configuration

6505 Male Connector	6351 End Stop
6315 Female Connector	6521 Stem Adapter
6306 Union Connector	6509 Swivel Elbow
6404 Union Tee	6508 Swivel Branch Tee
6316 Bulkhead Union	6382 Plug-In Elbow
6579 Fixed Elbow	6383 Plug-In Run Tee
6353 Faucet Connector	6326 Plug
6302 Union Elbow	6322 Stem to Hose Barb
6340 Union Y Connector	6503 Swivel Run Tee
6366 Reducer	6548 Swivel Y Connector
6388 Plug-In Tee	6380 Plug-In 45° Elbow
6307 Cross	

#### **B** Tube/Stem Size

Fractional Inch		Metric	
11	1/8	04	4mm [5/32]
04	5/32 (4mm)	06	6mm
56	1/4	08	8mm [5/16]
08	5/16 (8mm)	10	10mm
60	3/8	12	12mm
62	1/2		

#### **C** Thread or Tube OD

Fractional Inch		Metric	
00	Same Size as Tube	00	Same Size as Tube
11	1/8	04	4mm
14	1/4	06	6mm
18	3/8	08	8mm
22	1/2	10	10mm
133	7/16-24	12	12mm
		14	14mm
		13	1/4
		17	3/8
		21	1/2

#### **D** Color Code

W	White
---	-------

#### **E** Packaging

P2	Standard Packaging
----	--------------------



# LIQUIfit™ Fittings

## threaded fittings

**6505**  
Male Connector  
NPT or BSPT



**6315**  
Female Connector  
NPT or BSPT



**6325**  
Faucet Connector



**6579**  
Fixed Elbow  
NPT or BSPT



**6509**  
BSPT  
Swivel Elbow  
NPT or BSPT



**6508**  
Male Branch Tee  
NPT or BSPT



**6503**  
Male Run Tee  
NPT or BSPT



**6548**  
Y Male Connector  
NPT or BSPT



**6521**  
Male Standpipe  
NPT or BSPT



## tube to tube fittings

**6306**  
Union



**6302**  
Union Elbow



**6304**  
Union Tee



**6340**  
Y Union



**6307**  
Equal Cross



**6316**  
Bulkhead Union



## plug-in fittings

**6382**  
Plug-In Elbow



**6380**  
45° Plug-In Elbow



**6388**  
Plug-In Tee



**6383**  
Plug-In Run Tee



**6366**  
Reducer



**6326**  
Plug



**6322**  
Barbed Connector



**6351**  
End Cap



## ball valves

**VUC**  
Valve Union  
Connector



**VFC**  
Valve Female  
Connector



**VMC**  
Valve Male  
Connector



**VEU**  
Valve Elbow  
Union



**VFE**  
Valve Female  
Elbow



**VME**  
Valve Male  
Elbow



**VAS**  
Angled Stop  
Valve



# TrueSeal™ Fittings



## Specifications:

### Pressure Range

- Acetal and Kynar up to 300 PSI (20.7 bar)
- Polypropylene up to 150 PSI (10.3 bar)

### Temperature

- Acetal: -20° to +180° F (-28.9° to +82.2°C)
- Polypropylene: 0° to +225° F (-17.7° to +107°C)
- Kynar: 0° to +275° F (-17.7° to +135°C)

## Product Features:

- Available in Acetal, Polypropylene and Kynar materials
- Acetal and Polypropylene (EPDM seals)
- Kynar (Fluorocarbon (FKM) seals)
- Gripping ring with stainless steel bite edge or with an engineered thermoplastic bite edge
- FDA compliant, NSF/ANSI 51
- Gray Acetal & Black Polypropylene NSF/ANSI 61

**Applications:** Air, Water, Soft Drinks, Beer, Wine, Dyes

**Compatible Tubing:** Polyethylene, Polypropylene\*\*, Nylon\*\*, Vinyl<sup>+</sup>, Fluoropolymer\*\*, Polyurethane<sup>+</sup>, Soft Copper\*\*, Stainless Steel\*

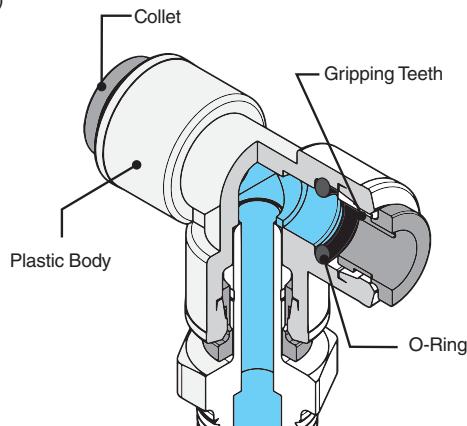
\* Groove Required

\*\* Metal gripper required (-MG suffix)

+ Tube Support required.

## MARKETS

- Food
- Potable Water
- Chemical
- Filtration



## How to Order

### FRACTIONAL INCH TrueSeal™

A	4	MC	4	-MG
<b>A</b>	<b>B</b>	<b>C</b>	<b>D</b>	<b>E</b>

#### **A** Material

A	Acetal
F	Kynar
PP	White Polypropylene
PPB	Black Polypropylene

#### **B** Tube/Stem OD

##### Fractional Inch

4	1/4
5	5/16
6	3/8
8	1/2

#### **C** Fitting Configuration

MC Male Connector	CU Cross Union
MES Male Elbow Swivel	BU Bulkhead Union
MRS Male Run Tess Swivel	TEU Tube Elbow Union
MTS Male Branch Tee Swivel	RD Tube Reducer
TMC Male Standpipe	VC Check Valve
ME Male Elbow	MCVC Kynar Check Valve
FA Faucet Adapter	CAP Cap
FC Female Connector	TCB Barbed Connector
FE Female Elbow	TEB Barbed Elbow Connector
ST Straight Thread	TPL Plug
FF 45° Female Flare	TFA Female Faucet Adapter
EU Union Elbow	TAF Male Faucet Adapter
TU Union Tee	SC Safety Clip
WY Union Y	TS Tube Support
UC Union	TSC Cartridge Insert

#### **D** Thread or Tube OD

##### Fractional Inch

Blank	No Tube / Threads
2	1/8
4	1/4
5	3/16
6	3/8
8	1/2

#### **E** Gripper

Blank	Plastic Gripper
-MG	Metal Gripper

# TrueSeal™ Fittings

## threaded fittings

**MC**  
Male Connector



**MES**  
Male Elbow Swivel



**MRS**  
Male Run Tee Swivel



**MTS**  
Mate Tee Swivel



**TMC**  
Tube Stem Adapter



**ME**  
Male Elbow



**FA**  
Faucet Adapter



**FC**  
Female Connector



**FE**  
Female Elbow



**ST**  
Male Straight Thread



**FF**  
45° Female Flare



## tube to tube fittings

**EU**  
Union Elbow



**TU**  
Tee Union



**WY**  
Y Union



**UC**  
Union



**CU**  
Cross Union



**BU**  
Bulkhead Union



**TEU**  
Tee Elbow Union



**RD**  
Tube Reducer



## auxiliary components

**CAP**  
Cap



**TCB**  
Tube-to-Barb Connector



**TEB**  
Tube Elbow Barb Connector



**TPL**  
Plug



**TFA**  
Tube Faucet Adapter - Female



**TAF**  
Tube Faucet Adapter - Male



## check valves

**VC**  
Check Valve



**MCVC**  
PVDF Check Valve



## ball valves

**VME**  
Valve Male Elbow



**VFE**  
Valve Female Elbow



**VUC**  
Valve Union Connector



**VFC**  
Valve Female Connector



**VEU**  
Valve Elbow Union



**VMC**  
Valve Male Connector



**VTEU**  
Valve Tube Elbow Union



**SC**  
Safety Clip



**TS**  
Tube Support



**AQRT**  
Quick Release Tool



# Product Matrix

Tube Ø or Thread	Tube Ø or Thread	Compact Flow Controls	Miniature Flow Controls	Swivel Outlet Flow Controls	Plug-In Flow Controls	In-Line Flow Controls	Metal Flow Controls	Stainless Steel Flow Controls	Compact Bi-Directional Flow Controls	Stainless Bi-Directional Flow Control
10-32	10-32									
M5	M5									
1/8	10-32									
	1/8									
3mm	M3									
	M5									
4mm (5/32)	M3									
	10-32									
	M5									
	1/8									
	4mm									
1/4	1/4									
	10-32									
	1/8									
	1/4									
6mm	M5									
	1/8									
	6mm									
	1/4									
	3/8									
8mm (5/16)	1/8									
	1/4									
	8mm									
	3/8									
3/8	1/4									
	3/8									
	1/2									
1/2	1/2									
10mm	1/4									
	3/8									
	10mm									
	1/2									
12mm	1/4									
	3/8									
	12mm									
	1/2									



# Technical Specifications

## Temperature/Pressure

Product Line	Temperature	Tube Sizes/PSI													
		1/8"	5/32"	3/16"	1/4"	5/16"	3/8"	1/2"	4mm	6mm	8mm	10mm	12mm	14mm	16mm
LF3000	-4° to 175° F	290	290	260	290	290	290	290	290	290	290	290	290	290	290
PLP Metal	0° to 200°F	300	300	300	300	300	300	300	300		300				
LF3600	-13° to 302° F		435		435		435	435	435	435	435	435	435	435	
LF3800	-13° to 302° F		435		435	435	435	435	435	435	435	435	435		
90° Flow Control	32° to 158° F	145	145		145	145	145	145	145	145	145	145	145	145	
Swivel Flow Control	32° to 158° F		145		145		145		145	145	145	145	145		
In-Line Flow Control	32° to 158° F		145		145	145	145	145	145	145	145	145	145		
Plug-In Flow Control	32° to 158° F	145	145		145				145	145	145	145	145		
LIQUIfit	+35° to 200°F	230	230		230	230	190	160	230	230	230	190	160	160	
TrueSeal (depends on material type)	-20° to 275°F	300		300	300	300	300	300							

## Tubing Compatibility

Product Line	Soft Metal Tubing		Thermoplastic Tubing					
	Copper	Stainless steel	Polyethylene	Nylon	95 Shore A Polyurethane	Polypropylene	Fluoropolymer	Vinyl
LF3000					TS			
PLP Metal								
LF3600	G	G						
LF3800	G	G						
90° Flow Control					TS			
Swivel Flow Control					TS			
In-Line Flow Control					TS			
Plug-In Flow Control					TS			
LIQUIfit								
TrueSeal	MG	G			TS	MG	MG	TS

Compatible

G Tubing must be Grooved

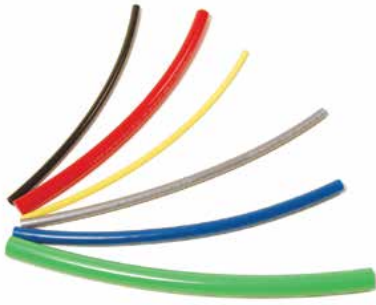
MG Metal Gripper Collet

TS Tube Support Required

## Flow Control Specifications

Product	Material			Size		Type of Adjustment		Types of Threads				
	Nylon	Brass	Stainless	Compact	Miniature	External Screw	Knobless	NPT	UNF	BSPT	BSPB	Metric
90° Flow Control												
Swivel Flow Control												
In-Line Flow Control												
Plug-In Flow Control												

# Tubing



## Nylon

Working Temperature: -65° to 200°F (-54° to 93°C)

Ideal for industrial applications, nylon tubing offers excellent durability due to its stable long-term mechanical properties. Parker's semi-rigid nylon is manufactured according to our eco-design approach for higher performance.

- Compatible Media: Compressed air, industrial fluid
- Good chemical and humidity resistance
- Excellent material stability (mechanical and chemical)
- Wide range of working pressure and temperature
- Good vibration absorption
- Crack-resistant
- Variety of colors to facilitate circuit identification
- UV-resistant

**Working pressure:** up to 375 psi (26 bar)

Maximum pressure and temperature range are dependent on tube diameter used.

**Packaging:** 50ft, 100ft, 250ft, 25m, and 100m  
Reels: 500ft and 1,000ft



## Polyurethane

Working Temperature: -40° to 165°F (-40° to 74°C)

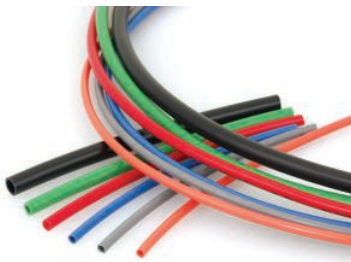
Parker's polyurethane 95A durometer tubing offers excellent flexibility and outstanding use in a wide range of applications, allowing for up to 50% space reduction when compared to semi-rigid PA tubing.

- Compatible Media: Compressed air, industrial fluid
- Consistent tensile strength for optimum longevity
- Optimal bend radius
- Good vibration absorption
- Highly flexible
- Low pressure drop
- Constant rigidity and good aging

**Working pressure:** up to 233 psi (16 bar)

Maximum pressure and temperature range are dependent on tube diameter used.

**Packaging:** 50ft, 100ft, 250ft, 25m, and 100m  
Reels: 500ft



## Polyethylene

Working Temperature: -80° to 150°F (-62° to 66°C)

Parker Legris low density polyethylene tubing provides good resistance to aggressive and corrosive agents.

- Compatible Media: Compressed air, industrial fluid, water
- Excellent resistance to aggressive and corrosive agents
- FDA approved material
- Tasteless and odorless
- Dimensional stability

**Working pressure:** up to 190 PSI (13 bar)

Maximum pressure and temperature range are dependent on tube diameter used.

**Packaging:** Tubepack® 100ft, 250ft, 25m, and 100m  
Reels: 500ft



## FEP

Working Temperature: -100° to 400°F (-73° to 200°C)

FEP tubing offers the highest clarity in the fluoropolymer market and is a close second to PTFE in chemical resistance. It is available in long, continuous lengths (t,000 feet and longer).

- Compatible Media: Chemicals, fluids, gases, beverages
- Chemically inert; excellent chemical resistance
- Non-wetting
- Weldable and tubes can be sealed by melting
- FEP is available in smoothbore tubing, heat shrinkable, convoluted, corrugated and retractable coil tubing

**Working pressure:** up to 390 psi (26.8 bar)

Maximum pressure and temperature range are dependent on tube diameter used.

# Practical Information

## Threaded Connections

### NPT Threads (National Pipe Thread)

This is an American standard taper thread which fits into the matching taper port. Sealing is provided by a pre-applied thread sealant on the thread. Example: 1/8 NPT thread = 1/8 NPT

### Metric Threads

These ISO-profile threads are parallel and are fit into the matching parallel port. Sealing is provided by an O-ring or a sealing washer.

Thread designation

- 'M' depending on the diameter and pitch in millimeters, separated by a multiplication sign, in accordance with standards ISO 68-1 and ISO 965-1.

Example: metric thread diameter 7 with a pitch of 1 mm = M7x1

### BSP Threads (British Standard Pipe)

There are two types of "Pipe" profile threads:

- **Parallel (BSPP):** these threads fit in matching parallel ports. Sealing is provided by an O-ring gasket or a sealing washer.
- **Taper (NPT & BSPT):** these threads fit in matching parallel or taper ports. Sealing is provided by a pre-applied thread sealant on the thread.

### THREAD DESIGNATION

- **BSP Parallel (BSPP):**

G followed by the denomination, according to standard ISO 228-1.  
Example: 1/8 BSP parallel thread = G1/8

- **BSP Taper (BSPT):**

R followed by the denomination, according to standard ISO 7-1.  
Example: 1/8 BSP taper (BSPT) thread = R1/8

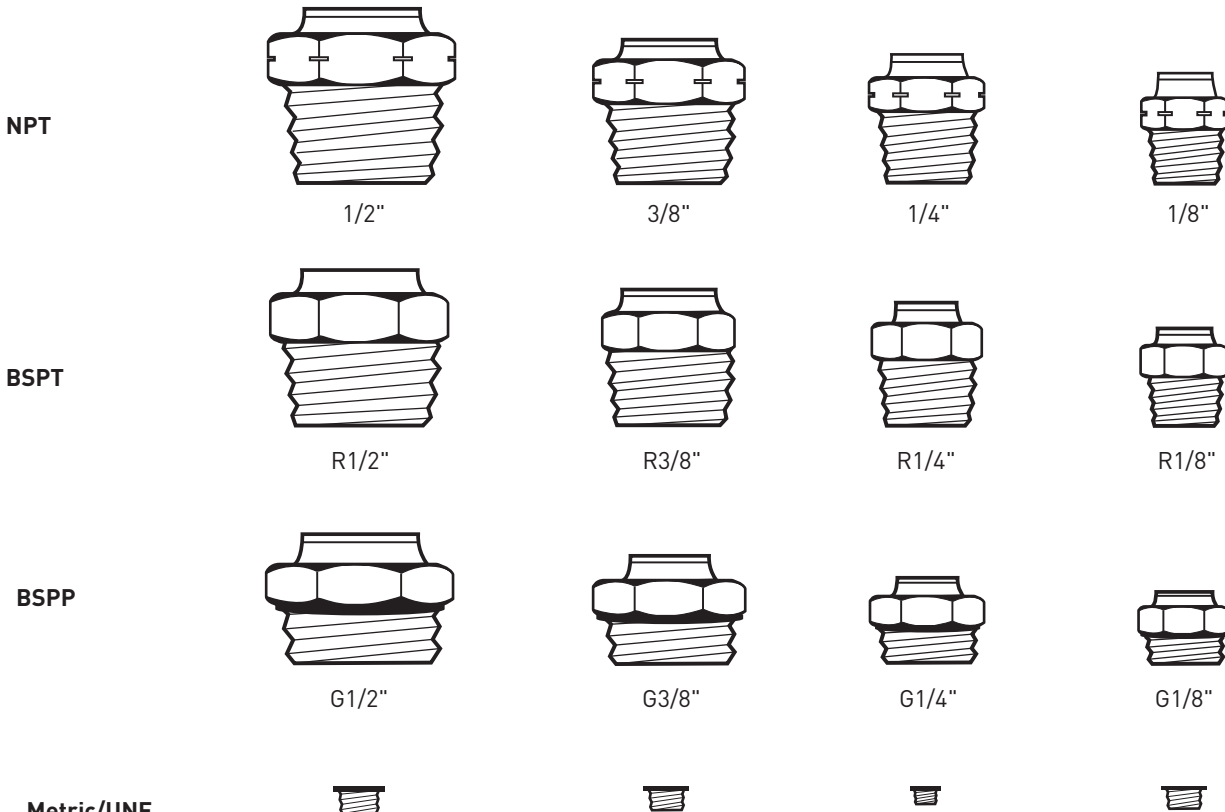
- **Female threads:**

BSP parallel: G followed by the designation  
BSP taper: R followed by the designation



When looking at a Parker Legris fitting or adapter, an NPT fitting will have machined notches on the hex. BSPT fittings will not have machined notches. This applies to all threaded fittings, adapters, and right angle flow control valves.

## Threaded Profiles – actual size



# Parker Fluid Connectors Group

## North American Divisions & Distribution Service Centers

**Your complete source** for quality tub fittings, hose & hose fittings, brass & composite fittings, quick-disconnect couplings, valves and assembly tools, locally available from a worldwide network of authorized distributors.

### **Fittings:**

Available in fractional inch and metric sizes covering BSP thread configurations, manufactured from steel, stainless steel, brass, aluminum, nylon and thermoplastic.

### **Worldwide Availability:**

Parker operates Fluid Connectors manufacturing locations and sales offices throughout North America, South America, Europe and Asia-Pacific.

**For information,** call toll free:

**1-800-C-Parker  
(1-800-272-7537)**

### **North American Divisions**

#### **Energy Products Division**

Stafford, TX  
phone 281 566 4500  
fax 281 582 5271

#### **Fluid System Connectors Division**

Otsego, MI  
phone 269 694 9411  
fax 269 694 4614

#### **Hose Products Division**

Wickliffe, OH  
phone 440 943 5700  
fax 440 943 3129

#### **Parflex Division**

Ravenna, OH  
phone 330 296 2871  
fax 330 296 8433

#### **Quick Couplings Division**

Minneapolis, MN  
phone 763 544 7781  
fax 763 544 3418

#### **Tube Fittings Division**

Columbus, OH  
phone 614 279 7070  
fax 614 279 7685

### **Distribution Service Centers**

#### **Buena Park, CA**

phone 714 522 8840  
fax 714 994 1183

#### **Conyers, GA**

phone 770 929 0330  
fax 770 929 0230

#### **Louisville, KY**

phone 502 937 1322  
fax 502 937 4180

#### **Portland, OR**

phone 503 283 1020  
fax 503 283 2201

#### **Toledo, OH**

phone 419 878 7000  
fax 419 878 7001  
fax 419 878 7420  
(FCG Kit Operations)

#### **Canada**

##### **Milton, ONT**

phone 905 945 2274  
fax 905 945 3945



Parker Hannifin Corporation  
**Fluid System Connectors**  
300 Parker Drive  
Otsego, MI 49078  
phone 269 692 6555  
fax 269 694 4614

Parker Hannifin Corporation  
**Parflex Division**  
1300 North Freedom St.  
Ravenna, OH 44266  
phone 330 296 2871  
fax 330 296 8433