



## Table of Contents

|  |              |  |              |
|--|--------------|--|--------------|
| <b>General Information</b> .....             | <b>2-7</b>   | <b>Cam and Groove Fittings (continued)</b> .....     | <b>43-60</b> |
| Crimp Fittings .....                         | 3            | Notched  |              |
| Cam and Groove General Information .....     | 4-7          | Ferrules .....                                       | 43           |
| <b>Adapters</b> .....                        | <b>8-12</b>  | Couplers .....                                       | 44           |
| Type A Vent-Lock™ .....                      | 8            | Adapters .....                                       | 44           |
| Type A Dixon® / Boss-Lock™ .....             | 9            | Notched NOS  |              |
| Type E Vent-Lock™ .....                      | 10           | Ferrules .....                                       | 45           |
| Type E Dixon® / Boss-Lock™ .....             | 11           | Couplers .....                                       | 45           |
| Type F Dixon® / Boss-Lock™ .....             | 12           | Adapters .....                                       | 45           |
| <b>Plugs</b> .....                           | <b>13-14</b> | Tank Car   |              |
| <b>Couplers</b> .....                        | <b>15-29</b> | Adapters .....                                       | 46           |
| Type C EZLink™ .....                         | 15           | Railroad Connections .....                           | 46-47        |
| Type C Vent-Lock™ .....                      | 16           | Elbows   |              |
| Type C Vent-Lock™ Safety EZ Boss-Lock™ ..... | 17           | 45° .....  | 48           |
| Type C Dixon® .....                          | 18           | 90° .....  | 48           |
| Type C Boss-Lock™ .....                      | 19           | Type A, D, E, C, F, B .....                          | 49-50        |
| Type C EZ Boss-Lock™ .....                   | 20           | Reducing Couplings                                   |              |
| Type D EZLink™ .....                         | 21           | Type A, D, E, C, F, B .....                          | 50-51        |
| Type D Vent-Lock™ .....                      | 22           | Coupler x Adapter .....                              | 52           |
| Type D Dixon® .....                          | 23           | Boss-Lock™ .....                                     | 53           |
| Type D Boss-Lock™ .....                      | 24           | EZ Boss-Lock™ .....                                  | 53           |
| Type D EZ Boss-Lock™ .....                   | 25           | Lockable Dust Caps .....                             | 53           |
| Type B EZLink™ .....                         | 26           | Dixon® Spool   |              |
| Type B Dixon® .....                          | 27           | Adapters .....                                       | 54           |
| Type B Boss-Lock™ .....                      | 28           | Couplers .....                                       | 54           |
| Type B EZ Boss-Lock™ .....                   | 29           | Boss-Lock™ Spool Couplers .....                      | 54           |
| <b>Dust Caps</b> .....                       | <b>30-35</b> | Adapters and Couplers x 150# Flange .....            | 55           |
| Type DC EZLink™ .....                        | 30           | Inline Sight Glass .....                             | 55           |
| Type DC Vent-Lock™ .....                     | 31           | Specialty Items .....                                | 56           |
| Type DC Dixon® .....                         | 32           | TTMA Flange Adapters .....                           | 56           |
| Type H Vent-Lock™ .....                      | 33           | TTMA Flange Extensions .....                         | 57           |
| Type H Boss-Lock™ .....                      | 34           | Adapter/Coupler x Round Tank Truck Flange .....      | 57           |
| Type H EZ Boss-Lock™ .....                   | 35           | 22½° Adapter/Coupler x Round Tank Truck Flange ..... | 57           |
| <b>Global Cam and Groove</b> .....           | <b>36-40</b> | Round Tank Truck Flange Gaskets .....                | 57           |
| Adapters                                     |              | Dixon® Vapor Recovery Couplers .....                 | 58           |
| Type A, E, F .....                           | 36           | Dixon® Butt Weld to Tube .....                       | 59           |
| Dust Plugs .....                             | 37           | Cam and Groove Welding                               |              |
| Couplers                                     |              | Adapters .....                                       | 59           |
| Type B, C, D .....                           | 37-38        | Couplers .....                                       | 60           |
| Dust Caps .....                              | 38           | <b>Accessories</b> .....                             | <b>61-64</b> |
| Handle Assemblies .....                      | 38           | Handle Assemblies .....                              | 61-62        |
| Spool Couplers                               |              | Pull Rings .....                                     | 63           |
| Type DD, AA .....                            | 39           | Clips and Lanyards .....                             | 63-64        |
| Jump Size .....                              | 39           | Chains .....   | 64           |
| Adapter x TTMA Flange .....                  | 40           | <b>Gaskets</b> .....                                 | <b>65-67</b> |
| <b>Polypropylene</b> .....                   | <b>41-42</b> | Cam and Groove .....                                 | 65           |
| Adapters .....                               | 41           | Fuel .....   | 65           |
| Couplers .....                               | 42           | PTFE .....   | 66           |
| Elbows .....                                 | 41, 42       | Dimensions .....                                     | 67           |
| <b>Cam and Groove Fittings</b> .....         | <b>43-60</b> | Color Codes .....                                    | 67           |
| Swaged .....                                 | 43           |  |              |

## Crimp Fittings

Only use the crimp style shanks with the crimp style sleeves and ferrules. Due to differences in dimensions and tolerances for safety reasons, do not interchange other manufacturer's products with Dixon® products.



### Cam and Groove

#### Styles offered:

- Dixon® type C couplers
- EZ Boss-Lock™ type C couplers
- Dixon® type E adapters
- global type C couplers
- global type E adapters

#### Materials:

- 356T6 aluminum
- brass
- 316 stainless steel
- unplated ductile iron

#### Sizes:

- 1", 1¼", 1½", 2", 3", 4", 6"



### Sleeves and Ferrules

#### Styles offered:

- sleeve (1", 1¼", 1½", 2", 3", 4", 6")
- ferrule (1", 1¼", 1½", 2", 3", 4", 6")

#### Materials:

- carbon steel
- 304 stainless steel
- aluminum (1", 1¼", 1½" and 2" sleeves)



- For a complete listing of products in the King Crimp™ system please visit [dixonvalve.com](http://dixonvalve.com).
- Contact Dixon® at 800.355.1991 for specific crimp recommendations.

## EZLink™ Armless Cam and Groove



### Features:

- automatic couplers push-to-connect providing a reliable connection
- coupler tabs cannot be pushed to disconnect when pressurized to 20 PSI or over
- low profile allows easy connection and disconnection in tight applications
- coupler push tabs can be locked with safety pins and/or zip tie

### Specifications:

- maximum working pressure with King Crimp™ ferrules: **250 PSI** (2"), **150 PSI** (3" and 4")
- maximum working pressure with crimp sleeves: **110 PSI**
- maximum working pressure with band clamps: **100 PSI**
- gasket temperature range: **5°F to 180°F (-15°C to 82°C)**

## Vent-Lock™ Safety Cam and Groove



### Features:

- safety release cam and groove couplings permit the release of static pressure when disconnecting hose assemblies
- venting system protects operator from being sprayed with hazardous or non-hazardous fluids or solids

### Specifications:

- rated to **250 PSI**, recommendation based on the use of mating Dixon™ L-style fittings at ambient temperature **70°F (21°C)** with standard Buna-N seal installed, for use at elevated temperature or other unusual operating conditions, consult Dixon™
  - 1", 1½" and 2" sizes have a maximum working pressure of **250 PSI**
  - 3" maximum working pressure **150 PSI** with King Crimp™ ferrules, crimp sleeves and bands at **125 PSI**
- does not interchange with standard cam & groove products use only with Vent-Lock™ L-style fittings



## Dixon® Cam and Groove



### Features:

- precision machined to rigid tolerances
- durable stainless steel cam arm pins will not rust or bind, providing greater strength and safety
- recess holds gasket firmly in place - ensures proper placement
- long shank design allows proper banding, thus eliminating the major cause of hose damage

### Specifications:

- Refer to page 6, Specifications on Cam and Groove for pressure ratings.

## Boss-Lock™ Cam and Groove

### Features:

- Cast-in lugs allow safety clips to be attached once the lugs are passed through slots in the special cam lever arms providing a patented safety feature. The clips prevent the coupler from being unlocked until they are removed, providing a positive locking action.
- Boss-Lock™ investment stainless steel cam arms are guaranteed! Should you break a Boss-Lock™ investment stainless steel cam arm, return it to the nearest warehouse for a free replacement.
- The pull ring safety clip simplifies the locking action on Boss-Lock™ couplers. No more inserting clips or dangling lanyards, just a twist and it's locked.

### Specifications:

- Refer to page 6, Specifications on Cam and Groove for pressure ratings.



## EZ Boss-Lock™ Cam and Groove

### Features:

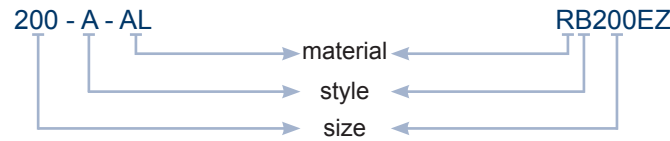
- no more fumbling with clamps, wire, clips or pins, just close the handles and the locking mechanism is engaged
- ergonomic and extremely easy to open, the release lever is under your thumb when you want to open the fitting
- resistant to accidental disconnection when being dragged; the release lever opens in the direction opposite to the cam arm, so movements that can open the release lever also can close the cam arm
- if the rotating lever is not flush with the handle, it is not properly engaged
- no sliding pins to jam or pop open
- rotating action helps keep the locking device free of debris
- EZ Boss-Lock™ investment stainless steel cam arms are guaranteed! Should you break a EZ Boss-Lock™ investment stainless steel cam arm, return it to the nearest warehouse for a free replacement.
- can be supplied with custom shanks, also available with swaged and PF shanks for hard to couple chemical hoses
- small OD makes it easy to insert into the hose tubes on tank trucks and to use in restricted spaces
- assemblies can be retrofitted onto undamaged stainless steel Boss-Lock™ allowing you to protect your investment in stainless steel Boss-Lock™ couplings while you upgrade

### Specifications:

- Refer to page 6, Specifications on Cam and Groove for pressure ratings.



## Ordering System



Size represents the coupler or adapter and hose or pipe end (i.e. 200 = 2"). If the coupling is a reducing size, the coupler or adapter is the first size (i.e. 4030-C is 4" coupler to 3" hose shank).

## Operation of Cam and Groove

1. To make connection, simply slide the adapter into the coupler and with normal hand pressure, press the cam levers down.
2. Uncoupling is as quick and simple as coupling. Just lift the cam arms and remove the adapter.

## Specifications on Dixon® Cam and Groove

### Specifications:

- Dixon®, Boss-Lock™ and EZ Boss-Lock™ cam and groove couplers and adapters are produced to interchange with all product produced to Commercial Item Description A-A-59326D.
- No standard exists for the ½" and 8" fittings, and generally these sizes do not interchange with other manufacturers.
- Dust caps and dust plugs are **not** to be used in pressure applications for safety and environmental reasons.
- *Designed for use with liquids*, consult Dixon® for specific recommendations.

### Pressure Ratings:

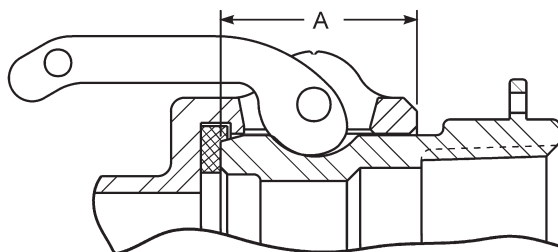


Recommendations based on the use of mating Dixon® fittings at ambient temperature **70°F (21°C)** with standard Buna-N seal installed. For use at elevated temperature or other unusual operating conditions, consult Dixon®. Dixon®, Boss-Lock™ and EZ Boss-Lock™ couplers and adapters maximum working pressure are as follows:

| Size             | ½"         | ¾" thru 2" | 2½"        | 3"         | 4"         | 5" and 6" | 8"        |
|------------------|------------|------------|------------|------------|------------|-----------|-----------|
| PSI              | <b>150</b> | <b>250</b> | <b>150</b> | <b>125</b> | <b>100</b> | <b>75</b> | <b>50</b> |
| PSI <sup>1</sup> | <b>150</b> | <b>250</b> | <b>150</b> | <b>150</b> | <b>150</b> | <b>75</b> | <b>50</b> |

<sup>1</sup> working pressure with King Crimp™ ferrule system

## Cam and Groove Nominal Take-Up Lengths



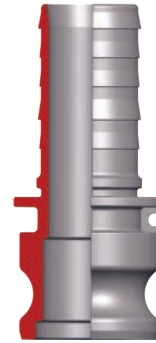
| Coupling Size | Dimension A |
|---------------|-------------|
| ½"            | 0.97"       |
| ¾"            | 0.97"       |
| 1"            | 1.20"       |
| 1¼"           | 1.44"       |
| 1½"           | 1.50"       |
| 2"            | 1.81"       |
| 2½"           | 1.82"       |
| 3"            | 1.78"       |
| 4"            | 1.84"       |
| 5"            | 2.00"       |
| 6"            | 2.13"       |
| 8"            | 2.06"       |
| 8"            | 3.22"       |

## Cam and Groove Configurations

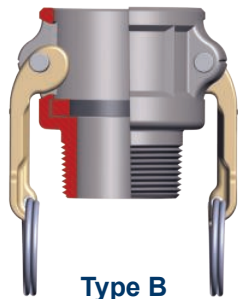
Configurations are representative of the Dixon® line of cam & groove.



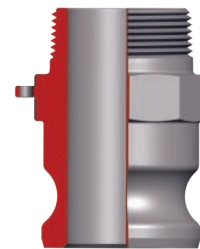
**Type A**  
female NPT x male adapter



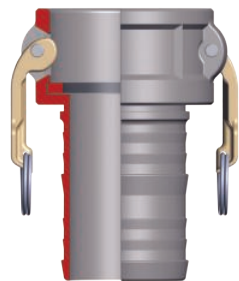
**Type E**  
male adapter x hose shank



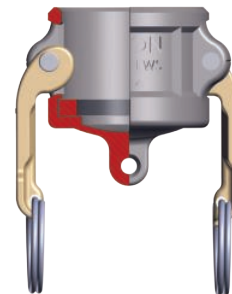
**Type B**  
female coupler x male NPT



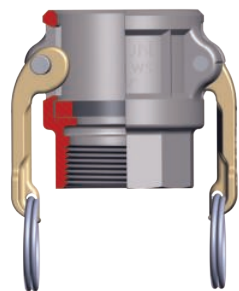
**Type F**  
male NPT x male adapter



**Type C**  
female coupler x hose shank



**Type DC <sup>1</sup>**  
dust cap



**Type D**  
female coupler x female NPT



**Type DP <sup>1</sup>**  
dust plug

<sup>1</sup> Dust caps and dust plugs are **not** to be used in pressure applications for safety and environmental reasons.


Under no circumstances should cam & groove couplings be used for compressed air or steam service!



## Vent-Lock™ Type A Adapters

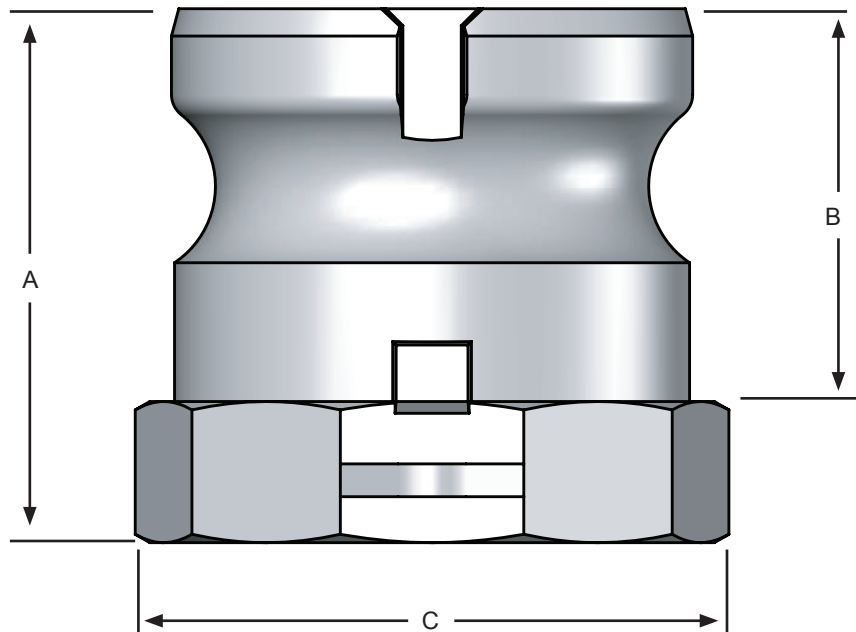
### female NPT x male adapter

#### Features:

- safety release cam & groove couplings permit the release of static pressure when disconnecting hose assemblies
- venting system protects operator from being sprayed with hazardous or non-hazardous fluids or solids
- rated to **250 PSI**, recommendation based on the use of mating Dixon® L-style fittings at ambient temperature **70°F (21°C)** with standard Buna-N seal installed, for use at elevated temperature or other unusual operating conditions, consult Dixon®
  - 1", 1½" and 2" sizes have a maximum working pressure of **250 PSI**
  - 3" maximum working pressure **150 PSI** with King Crimp™ ferrules, crimp sleeves and bands at **125 PSI**
- does not interchange with standard cam & groove products use only with Vent-Lock™ L-style fittings 



| Size | 316 Stainless Steel<br>Part # |
|------|-------------------------------|
| 1"   | <b>L100-A-SS</b>              |
| 1½"  | <b>L150-A-SS</b>              |
| 2"   | <b>L200-A-SS</b>              |
| 3"   | <b>L300-A-SS</b>              |



**316 stainless steel dimensions**

| Size                    | 1"      | 1½"    | 2"      | 3"      |
|-------------------------|---------|--------|---------|---------|
| A overall length        | 1-29/32 | 2-9/32 | 2-17/32 | 2-29/32 |
| B adapter length        | 1-5/16  | 1⅞     | 1⅞      | 2       |
| C distance across flats | 1½      | 2-9/32 | 2-11/16 | 3¼      |



## Dixon® Type A Adapters male adapter x female NPT

**Feature:**

- Pressure rating is based on the seal of the mating part. See ratings on page 6.



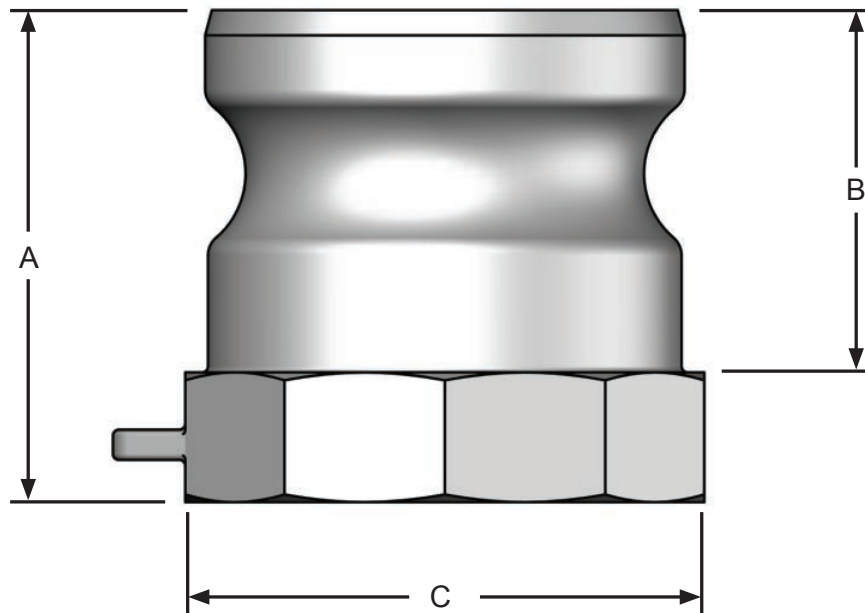
| Size    | 356T6 Aluminum Part #  | Aluminum Hard Coat Part # | Brass Part # | Unplated Mall. Iron Part # | Plated Mall. Iron Part # | 316 Stain. Steel Part # |
|---------|------------------------|---------------------------|--------------|----------------------------|--------------------------|-------------------------|
| ½"      | 50-A-AL <sup>2</sup>   | ---                       | 50-A-BR      | ---                        | ---                      | 50-A-SS                 |
| ¾" x ½" | 7550-A-AL <sup>2</sup> | ---                       | 7550-A-BR    | ---                        | ---                      | 7550-A-SS               |
| ¾"      | 75-A-AL <sup>2</sup>   | ---                       | 75-A-BR      | ---                        | 75-A-PM                  | 75-A-SS                 |
| 1"      | 100-A-AL <sup>2</sup>  | ---                       | 100-A-BR     | ---                        | 100-A-PM                 | 100-A-SS                |
| 1¼"     | 125-A-AL               | ---                       | 125-A-BR     | ---                        | ---                      | 125-A-SS                |
| 1½"     | 150-A-AL               | 150-A-ALH                 | 150-A-BR     | 150-A-MI                   | 150-A-PM                 | 150-A-SS                |
| 2"      | 200-A-AL               | 200-A-ALH                 | 200-A-BR     | 200-A-MI                   | 200-A-PM                 | 200-A-SS                |
| 2½"     | 250-A-AL               | ---                       | 250-A-BR     | ---                        | ---                      | 250-A-SS                |
| 3"      | 300-A-AL               | 300-A-ALH                 | 300-A-BR     | 300-A-MI                   | 300-A-PM                 | 300-A-SS                |
| 4"      | 400-A-AL               | 400-A-ALH                 | 400-A-BR     | 400-A-MI                   | 400-A-PM                 | 400-A-SS                |
| 5"      | 500-A-AL               | ---                       | 500-A-BR     | 500-A-MI                   | ---                      | 500-A-SS                |
| 6"      | 600-A-AL               | 600-A-ALH                 | 600-A-BR     | ---                        | 600-A-PM <sup>3</sup>    | 600-A-SS                |
| 8" DIX  | 800-A-AL <sup>1</sup>  | ---                       | ---          | ---                        | ---                      | ---                     |
| 8" BL   | 801-A-AL <sup>1</sup>  | ---                       | ---          | ---                        | ---                      | ---                     |



<sup>1</sup> Dixon and Boss-Lock cam and groove couplings do not interchange in the 8" and ½" sizes.

<sup>2</sup> made from 6061-T6 aluminum

<sup>3</sup> ductile iron



### 356T6 aluminum, brass and iron dimensions

| Size                    | ½"      | ¾" x ½" | ¾"     | 1"      | 1¼"    | 1½"    | 2" | 2½"     | 3" | 4"     | 5"      | 6"      | 8" DIX  | 8" BL  |
|-------------------------|---------|---------|--------|---------|--------|--------|----|---------|----|--------|---------|---------|---------|--------|
| A overall length        | 1-11/16 | 1-21/32 | 1⅝     | 1-31/32 | 2-7/32 | 2-3/16 | 2⅞ | 2-11/16 | 2¼ | 3⅝     | 3-17/32 | 3-7/16  | 4-13/16 | 4-7/16 |
| B adapter length        | 1-1/16  | 1-1/16  | 1-1/16 | 1⅞      | 1-9/16 | 1⅝     | 1⅞ | 1-15/16 | 2  | 2-1/16 | 2-5/16  | 2¼      | 3-9/16  | 2¼     |
| C distance across flats | 1       | 1⅝      | 1⅞     | 1½      | 2      | 2-9/32 | 2¼ | 3-7/32  | 3⅞ | 5      | 5-15/16 | 7-11/16 | 10⅝     | 10⅝    |

### 316 stainless steel dimensions


| Size                    | ½"      | ¾" x ½" | ¾"     | 1"      | 1¼"    | 1½"    | 2"      | 2½"     | 3"      | 4"     | 5"      | 6" | 8" DIX | 8" BL |
|-------------------------|---------|---------|--------|---------|--------|--------|---------|---------|---------|--------|---------|----|--------|-------|
| A overall length        | 1-11/16 | 1-17/32 | 1½     | 1-31/32 | 2⅞     | 2-3/16 | 2-19/32 | 3-11/32 | 2-29/32 | 3-5/32 | 3¼      | 3¼ | ---    | ---   |
| B adapter length        | 1-1/16  | 1-1/16  | 1      | 1-5/16  | 1-9/16 | 1⅝     | 1⅞      | 1-15/16 | 2       | 2-1/16 | 2-5/16  | 2¼ | ---    | ---   |
| C distance across flats | 1       | 1-5/16  | 1-5/16 | 1½      | 1-5/16 | 2-9/32 | 2-11/16 | 2⅞      | 2⅞      | 5      | 5-17/32 | 7⅞ | ---    | ---   |

## Vent-Lock™ Type E Adapters

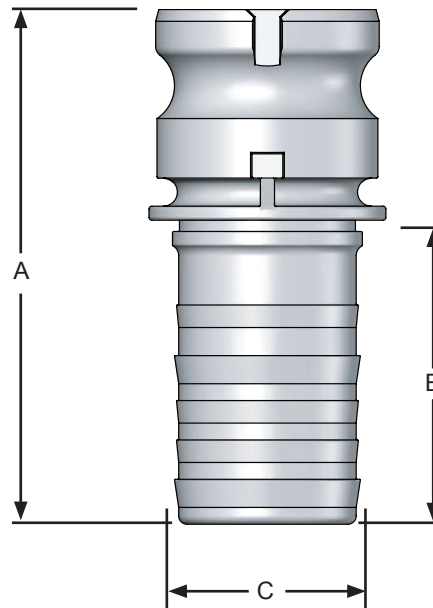
male adapter x hose shank



### Features:

- safety release cam & groove couplings permit the release of static pressure when disconnecting hose assemblies
- venting system protects operator from being sprayed with hazardous or non-hazardous fluids or solids
- rated to **250 PSI**, recommendation based on the use of mating Dixon® L-style fittings at ambient temperature **70°F (21°C)** with standard Buna-N seal installed, for use at elevated temperature or other unusual operating conditions, consult Dixon®
  - 1", 1½" and 2" sizes have a maximum working pressure of **250 PSI**
  - 3" maximum working pressure **150 PSI** with King Crimp™ ferrules, crimp sleeves and bands at **125 PSI**
- does not interchange with standard cam & groove products use only with Vent-Lock™ 

| Size | 316 Stainless Steel<br>Part # |
|------|-------------------------------|
| 1"   | <b>L100-E-SS</b>              |
| 1½"  | <b>L150-E-SS</b>              |
| 2"   | <b>L200-E-SS</b>              |
| 3"   | <b>L300-E-SS</b>              |



### 316 stainless steel dimensions

| Size                | 1"      | 1½"     | 2"      | 3"     |
|---------------------|---------|---------|---------|--------|
| A overall length    | 4-11/16 | 4-31/32 | 5-23/32 | 6¾     |
| B hose shank length | 2-15/16 | 2-29/32 | 3¾      | 4-3/16 |
| C hose shank OD     | 1-1/16  | 1-9/16  | 2-1/16  | 3-3/32 |

## Dixon® Type E Adapters


### male adapter x hose barb

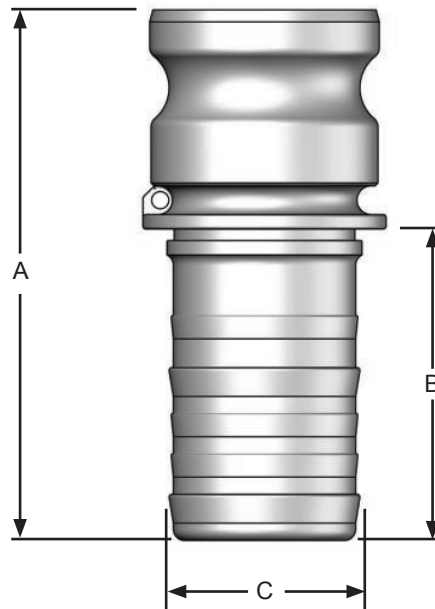
**Feature:**

- Pressure rating is based on the seal of the mating part. See ratings on page 6. 

| Size    | 356T6<br>Aluminum<br>Part #  | Aluminum<br>Hard Coat<br>Part # | Brass<br>Part # | Unplated<br>Mall. Iron<br>Part # | Plated<br>Mall. Iron<br>Part # | 316<br>Stain. Steel<br>Part # |
|---------|------------------------------|---------------------------------|-----------------|----------------------------------|--------------------------------|-------------------------------|
| ½"      | <b>50-E-AL</b>               | ---                             | <b>50-E-BR</b>  | ---                              | ---                            | <b>50-E-SS</b>                |
| ¾" x ½" | <b>7550-E-AL</b>             | ---                             | ---             | ---                              | ---                            | <b>7550-E-SS</b>              |
| ¾"      | <b>75-E-AL</b>               | ---                             | <b>75-E-BR</b>  | ---                              | <b>75-E-PM</b>                 | <b>75-E-SS</b>                |
| 1"      | <b>100-E-AL</b>              | ---                             | <b>100-E-BR</b> | ---                              | <b>100-E-PM</b>                | <b>100-E-SS</b>               |
| 1¼"     | <b>125-E-AL</b>              | ---                             | <b>125-E-BR</b> | ---                              | <b>125-E-PM</b>                | <b>125-E-SS</b>               |
| 1½"     | <b>150-E-AL</b>              | <b>150-E-ALH</b>                | <b>150-E-BR</b> | <b>150-E-MI</b>                  | <b>150-E-PM</b>                | <b>150-E-SS</b>               |
| 2"      | <b>200-E-AL</b>              | <b>200-E-ALH</b>                | <b>200-E-BR</b> | <b>200-E-MI</b> <sup>2</sup>     | <b>200-E-PM</b>                | <b>200-E-SS</b>               |
| 2½"     | <b>250-E-AL</b>              | ---                             | <b>250-E-BR</b> | ---                              | ---                            | <b>250-E-SS</b>               |
| 3"      | <b>300-E-AL</b>              | <b>300-E-ALH</b>                | <b>300-E-BR</b> | <b>300-E-MI</b> <sup>2,3</sup>   | <b>300-E-PM</b> <sup>2</sup>   | <b>300-E-SS</b>               |
| 4"      | <b>400-E-AL</b>              | <b>400-E-ALH</b>                | <b>400-E-BR</b> | <b>400-E-MI</b> <sup>2,3</sup>   | <b>400-E-PM</b> <sup>2,3</sup> | <b>400-E-SS</b>               |
| 5"      | <b>500-E-AL</b>              | ---                             | ---             | ---                              | ---                            | <b>500-E-SS</b>               |
| 6"      | <b>600-E-AL</b>              | <b>600-E-ALH</b>                | <b>600-E-BR</b> | <b>600-E-MI</b> <sup>2,3</sup>   | <b>600-E-PM</b> <sup>2</sup>   | <b>600-E-SS</b>               |
| 8" DIX  | <b>800-E-AL</b> <sup>1</sup> | ---                             | ---             | ---                              | ---                            | ---                           |
| 8" BL   | <b>801-E-AL</b> <sup>1</sup> | ---                             | ---             | ---                              | ---                            | ---                           |



- <sup>1</sup> Dixon® and Boss-Lock™ cam & groove couplings do not interchange in the 8" and ½ sizes 
- <sup>2</sup> suitable for King Crimp™ sleeves and ferrules
- <sup>3</sup> ductile iron



**356T6 aluminum, brass and iron dimensions**

| Size                | ½"     | ¾" x ½" | ¾"      | 1"      | 1¼"     | 1½"     | 2"     | 2½"     | 3"      | 4"     | 5"     | 6"     | 8" DIX   | 8" BL   |
|---------------------|--------|---------|---------|---------|---------|---------|--------|---------|---------|--------|--------|--------|----------|---------|
| A overall length    | 2½     | 2¾      | 3-15/16 | 4⅝      | 4⅞      | 5-1/16  | 6-1/32 | 6¼      | 6-25/32 | 7-3/16 | 7-5/32 | 9-5/32 | 11-13/16 | 11-7/16 |
| B hose shank length | 1-7/16 | 1-5/16  | 2⅝      | 2-15/16 | 2-13/16 | 2-29/32 | 3⅝     | 3¾      | 4-7/32  | 4¼     | 4¼     | 6-1/32 | 8        | 8       |
| C hose shank OD     | 9/16   | 19/32   | 27/32   | 1-1/16  | 1-11/32 | 1-9/16  | 2-1/16 | 2-19/32 | 3-3/32  | 4-3/32 | 5-3/32 | 6-1/16 | 8-1/16   | 8-3/32  |

**316 stainless steel dimensions**

| Size                | ½"     | ¾" x ½" | ¾"      | 1"      | 1¼"     | 1½"     | 2"     | 2½" | 3"     | 4"     | 5"     | 6"     | 8" DIX | 8" BL |
|---------------------|--------|---------|---------|---------|---------|---------|--------|-----|--------|--------|--------|--------|--------|-------|
| A overall length    | 2-7/16 | 2-25/32 | 3-13/32 | 4-11/16 | 4⅞      | 4-31/32 | 5¼     | 6¼  | 6⅞     | 7-3/32 | 7-5/32 | 9-7/16 | ---    | ---   |
| B hose shank length | 1-7/16 | 1-5/16  | 2⅝      | 2-15/16 | 2⅞      | 2-29/32 | 3⅝     | 3¾  | 4-3/16 | 4¼     | 4¼     | 6-3/32 | ---    | ---   |
| C hose shank OD     | 9/16   | 19/32   | 27/32   | 1-1/16  | 1-11/32 | 1-9/16  | 2-1/16 | 2⅝  | 3-3/32 | 4-3/32 | 5-3/32 | 6-1/16 | ---    | ---   |

## Dixon® Type F Adapters male adapter x male NPT



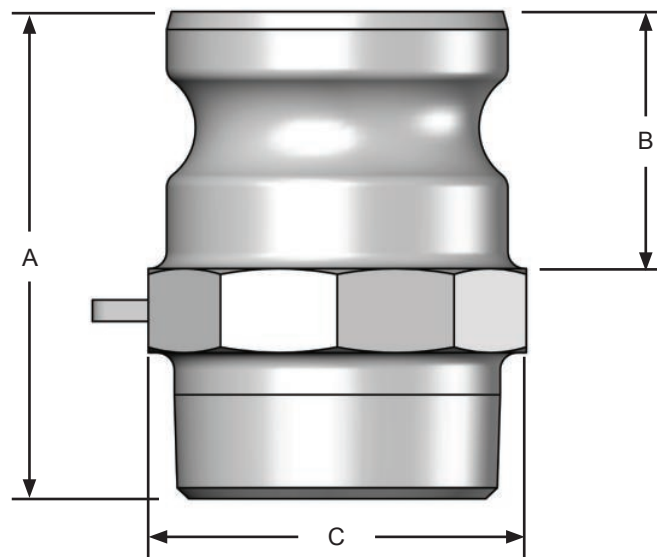
• Pressure rating is based on the seal of the mating part. See ratings on page 6.



| Size        | 356T6 Aluminum Part #        | Aluminum Hard Coat Part # | Brass Part #     | Unplated Mall. Iron Part # | Plated Mall. Iron Part # | 316 Stain. Steel Part # |
|-------------|------------------------------|---------------------------|------------------|----------------------------|--------------------------|-------------------------|
| 1/2"        | <b>50-F-AL</b>               | ---                       | <b>50-F-BR</b>   | ---                        | ---                      | <b>50-F-SS</b>          |
| 3/4" x 1/2" | <b>7550-F-AL</b>             | ---                       | <b>7550-F-BR</b> | ---                        | ---                      | <b>7550-F-SS</b>        |
| 3/4"        | <b>75-F-AL</b>               | ---                       | <b>75-F-BR</b>   | ---                        | <b>75-F-PM</b>           | <b>75-F-SS</b>          |
| 1"          | <b>100-F-AL</b>              | ---                       | <b>100-F-BR</b>  | ---                        | <b>100-F-PM</b>          | <b>100-F-SS</b>         |
| 1 1/4"      | <b>125-F-AL</b>              | ---                       | <b>125-F-BR</b>  | ---                        | ---                      | <b>125-F-SS</b>         |
| 1 1/2"      | <b>150-F-AL</b>              | <b>150-F-ALH</b>          | <b>150-F-BR</b>  | <b>150-F-MI</b>            | <b>150-F-PM</b>          | <b>150-F-SS</b>         |
| 2"          | <b>200-F-AL</b>              | <b>200-F-ALH</b>          | <b>200-F-BR</b>  | <b>200-F-MI</b>            | <b>200-F-PM</b>          | <b>200-F-SS</b>         |
| 2 1/2"      | <b>250-F-AL</b>              | ---                       | <b>250-F-BR</b>  | ---                        | ---                      | <b>250-F-SS</b>         |
| 3"          | <b>300-F-AL</b>              | <b>300-F-ALH</b>          | <b>300-F-BR</b>  | <b>300-F-MI</b>            | <b>300-F-PM</b>          | <b>300-F-SS</b>         |
| 4"          | <b>400-F-AL</b>              | <b>400-F-ALH</b>          | <b>400-F-BR</b>  | <b>400-F-MI</b>            | <b>400-F-PM</b>          | <b>400-F-SS</b>         |
| 5"          | <b>500-F-AL</b>              | ---                       | ---              | ---                        | <b>600-F-PM</b>          | <b>600-F-SS</b>         |
| 6"          | <b>600-F-AL</b>              | <b>600-F-ALH</b>          | <b>600-F-BR</b>  | ---                        | ---                      | ---                     |
| 8" DIX      | <b>800-F-AL</b> <sup>1</sup> | ---                       | ---              | ---                        | ---                      | ---                     |
| 8" BL       | <b>801-F-AL</b> <sup>1</sup> | ---                       | ---              | ---                        | ---                      | ---                     |



<sup>1</sup> Dixon® and Boss-Lock™ cam and groove couplings *do not interchange in the 8" and 1/2" sizes.*



**356T6 aluminum, brass and iron dimensions**


| Size                    | 1/2"   | 3/4"x1/2" | 3/4"   | 1"      | 1 1/4"  | 1 1/2" | 2"      | 2 1/2"  | 3"    | 4"      | 5"     | 6"      | 8" DIX   | 8" BL    |
|-------------------------|--------|-----------|--------|---------|---------|--------|---------|---------|-------|---------|--------|---------|----------|----------|
| A overall length        | 2 1/8  | 2 1/2     | 2 1/2  | 2-15/16 | 2-15/16 | 3-5/32 | 3-17/32 | 4 1/8   | 4 1/8 | 4-23/32 | 4 1/2  | 5-17/32 | 6 1/8    | 6 3/8    |
| B adapter length        | 1-1/16 | 1-1/16    | 1-1/16 | 1-5/16  | 1-9/16  | 1 5/8  | 1 7/8   | 1-15/16 | 2     | 2-1/16  | 2-5/16 | 2 1/4   | 3-9/16   | 3-1/16   |
| C distance across flats | 1      | 1-5/16    | 1 3/8  | 1 1/2   | 1 5/8   | 2 1/4  | 2-11/16 | 3 1/4   | 3 3/4 | 4-15/16 | 6 1/2  | 8-1/32  | 10-23/32 | 10-23/32 |

**316 stainless steel dimensions**

| Size                    | 1/2"   | 3/4"x1/2" | 3/4"   | 1"     | 1 1/4"  | 1 1/2" | 2"      | 2 1/2"  | 3"      | 4"      | 5"  | 6"      | 8" DIX | 8" BL |
|-------------------------|--------|-----------|--------|--------|---------|--------|---------|---------|---------|---------|-----|---------|--------|-------|
| A overall length        | 2 1/8  | 2-1/16    | 2 1/8  | 2-9/16 | 3-7/32  | 3 3/8  | 3-17/32 | 4-5/16  | 4-15/32 | 4-15/16 | --- | 4-15/16 | ---    | ---   |
| B adapter length        | 1-1/16 | 1-1/16    | 1-1/16 | 1-5/16 | 1-9/16  | 1 5/8  | 1 7/8   | 1-15/16 | 2       | 2-1/16  | --- | 2 1/4   | ---    | ---   |
| C distance across flats | 1      | 1-5/16    | 1-5/16 | 1 1/2  | 1-15/16 | 2 1/4  | 2 3/4   | 3 1/4   | 3 3/4   | 5       | --- | 7 1/4   | ---    | ---   |

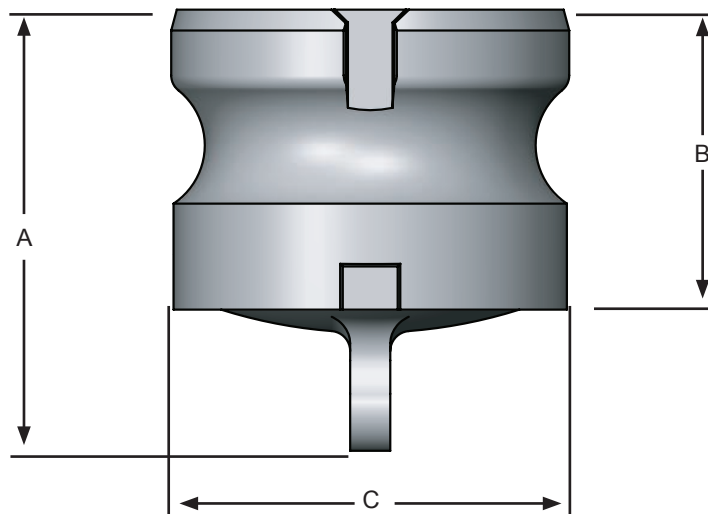
## Vent-Lock™ Safety Type DP Dust Plugs

### Features:

- safety release cam & groove couplings permit the release of static pressure when disconnecting hose assemblies
- venting system protects operator from being sprayed with hazardous or non-hazardous fluids or solids
- rated to **250 PSI**, recommendation based on the use of mating Dixon® L-style fittings at ambient temperature **70°F (21°C)** with standard Buna-N seal installed, for use at elevated temperature or other unusual operating conditions, consult Dixon®
  - 1", 1½" and 2" sizes have a maximum working pressure of **250 PSI**
  - 3" maximum working pressure **150 PSI** with King Crimp™ ferrules, crimp sleeves and bands at **125 PSI**
- does not interchange with standard cam & groove products use only with Vent-Lock™  L-style fittings



| Size | 316 Stainless Steel<br>Part # |
|------|-------------------------------|
| 1"   | <b>L100-DP-SS</b>             |
| 1½"  | <b>L150-DP-SS</b>             |
| 2"   | <b>L200-DP-SS</b>             |
| 3"   | <b>L300-DP-SS</b>             |



### 316 stainless steel dimensions

|   | Size           | 1"      | 1½"    | 2"      | 3"      |
|---|----------------|---------|--------|---------|---------|
| A | overall length | 1-15/16 | 2½     | 2¾      | 2⅞      |
| B | adapter length | 1-5/16  | 1⅞     | 1⅞      | 2       |
| C | outside OD     | 1-7/16  | 2-3/32 | 2-15/32 | 3-19/32 |

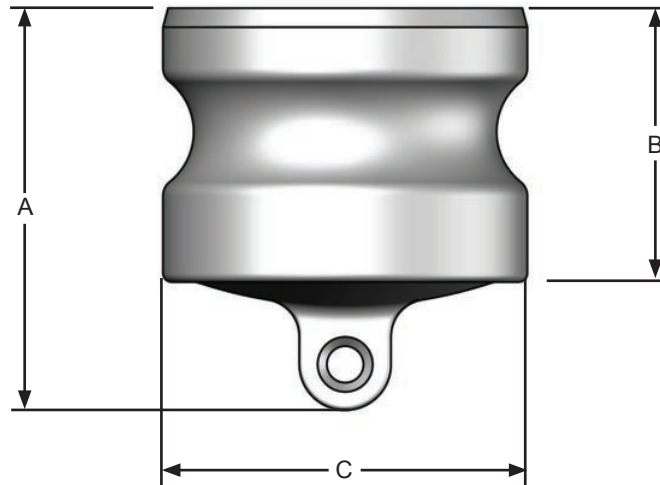
## Dixon® Type DP Plugs



| Size   | 356T6 Aluminum Part #  | Aluminum Hard Coat Part # | Brass Part # | Unplated Mall. Iron Part # | Plated Mall. Iron Part # | 316 Stain.Steel Part # |
|--------|------------------------|---------------------------|--------------|----------------------------|--------------------------|------------------------|
| ½"     | ---                    | ---                       | 50-DP-BR     | ---                        | ---                      | 50-DP-SS               |
| ¾"     | 75-DP-AL               | ---                       | 75-DP-BR     | ---                        | ---                      | 75-DP-SS               |
| 1"     | 100-DP-AL              | ---                       | 100-DP-BR    | ---                        | 100-DP-PM                | 100-DP-SS              |
| 1¼"    | 125-DP-AL              | ---                       | 125-DP-BR    | ---                        | 125-DP-PM                | 125-DP-SS              |
| 1½"    | 150-DP-AL              | 150-DP-ALH                | 150-DP-BR    | 150-DP-MI                  | 150-DP-PM                | 150-DP-SS              |
| 2"     | 200-DP-AL              | 200-DP-ALH                | 200-DP-BR    | 200-DP-MI                  | 200-DP-PM                | 200-DP-SS              |
| 2½"    | 250-DP-AL              | ---                       | ---          | ---                        | 250-DP-PM                | 250-DP-SS              |
| 3"     | 300-DP-AL              | 300-DP-ALH                | 300-DP-BR    | 300-DP-MI                  | 300-DP-PM                | 300-DP-SS              |
| 4"     | 400-DP-AL              | 400-DP-ALH                | 400-DP-BR    | 400-DP-MI                  | 400-DP-PM                | 400-DP-SS              |
| 5"     | 500-DP-AL              | ---                       | ---          | ---                        | ---                      | ---                    |
| 6"     | 600-DP-AL              | 600-DP-ALH                | 600-DP-BR    | ---                        | ---                      | 600-DP-SS              |
| 8" DIX | 800-DP-AL <sup>1</sup> | ---                       | ---          | ---                        | ---                      | ---                    |
| 8" BL  | 801-DP-AL <sup>1</sup> | ---                       | ---          | ---                        | ---                      | ---                    |

<sup>1</sup> Dixon® and Boss-Lock™ cam and groove couplings *do not interchange in the 8" and ½" sizes.*

*Dust caps and dust plugs are not to be used in pressure applications for safety and environmental reasons.*



**356T6 aluminum, brass and iron dimensions**

| Size             | ½"     | ¾"     | 1"      | 1¼"     | 1½"     | 2"      | 2½"     | 3"      | 4"      | 5"      | 6"      | 8" DIX | 8" BL   |
|------------------|--------|--------|---------|---------|---------|---------|---------|---------|---------|---------|---------|--------|---------|
| A overall length | 1-7/16 | 1¾     | 1-29/32 | 2¾      | 2-13/32 | 2-13/16 | 2-13/16 | 2-13/16 | 3-1/16  | 3¾      | 3-1/16  | 5-3/16 | 4-11/16 |
| B adapter length | 15/16  | 1-3/32 | 1-5/16  | 1-9/16  | 1¾      | 1¾      | 1-15/16 | 2       | 2-1/16  | 2-11/32 | 2¼      | 3-9/16 | 3-1/16  |
| C outside OD     | 15/16  | 1¼     | 1-7/16  | 1-25/32 | 2-3/32  | 2-15/32 | 2-31/32 | 3-19/32 | 4-23/32 | 5-23/32 | 6-15/16 | 9-3/32 | 8-15/16 |

**316 stainless steel dimensions**

| Size             | ½"     | ¾"      | 1"      | 1¼"     | 1½"    | 2"      | 2½"     | 3"      | 4"      | 5"  | 6"      | 8" DIX | 8" BL |
|------------------|--------|---------|---------|---------|--------|---------|---------|---------|---------|-----|---------|--------|-------|
| A overall length | 1-7/16 | 1-11/16 | 1-15/16 | 2¼      | 2½     | 2¾      | 2-7/8   | 2-27/32 | 3⅝      | --- | 3½      | ---    | ---   |
| B adapter length | 15/16  | 15/16   | 1-15/16 | 1-9/16  | 1¾     | 1¾      | 1-15/16 | 2       | 2-1/16  | --- | 2¼      | ---    | ---   |
| C outside OD     | 15/16  | 1¼      | 1-7/16  | 1-25/32 | 2-3/32 | 2-15/32 | 2-31/32 | 3-19/32 | 4-23/32 | --- | 6-15/16 | ---    | ---   |

## EZLink™ Armless Type C Couplers

### Applications:

- transfer and/or unloading of fuels (gasoline or diesel) from tank truck to storage tanks
- transfer of water and solutions compatible with aluminum and Buna-N rubber

### Materials:

- couplings and dust caps: A356 aluminum
- coupler tabs and springs: 316 stainless steel
- gasket: Buna-N

### Features:

- automatic couplers push-to-connect providing a reliable connection
- low profile allows easy connection and disconnection in tight applications
- coupler push tabs can be locked with safety pins and/or zip tie
- compatible with standard cam and groove adapters

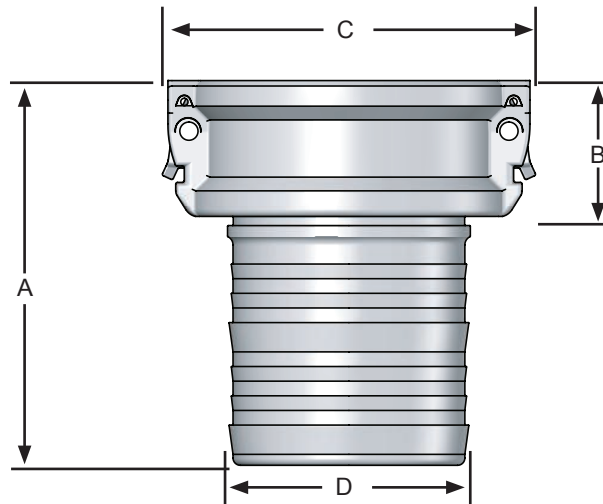
### Specifications:

- maximum working pressure with King Crimp™ ferrules: **250 PSI** (2"), **150 PSI** (3" and 4")
- maximum working pressure with crimp sleeves: **110 PSI**
- maximum working pressure with band clamps: **100 PSI**
- gasket temperature range: **5°F to 180°F (-15°C to 82°C)**

Only use EZLink™ gaskets for this coupling system. Traditional cam & groove gaskets, or other types of seals are not compatible and will fail. 



| Size | A356 Aluminum      | 316 Stainless Steel |
|------|--------------------|---------------------|
|      | Part #             | Part #              |
| 2"   | <b>EZL200-C-AL</b> | <b>EZL200-C-SS</b>  |
| 3"   | <b>EZL300-C-AL</b> | <b>EZL300-C-SS</b>  |
| 4"   | <b>EZL400-C-AL</b> | ---                 |



**A356 aluminum dimensions**

| Size |                      | 2"      | 3"     | 4"     |
|------|----------------------|---------|--------|--------|
| A    | overall length       | 5-9/16  | 6½     | 6-9/16 |
| B    | coupler length       | 2-3/16  | 2-5/16 | 2-5/16 |
| C    | distance across EARS | 3-21/32 | 5-3/32 | 6-3/16 |
| D    | hose shank OD        | 2-1/16  | 3-3/32 | 4-3/32 |

**316 stainless steel dimensions**


| Size |                      | 2"      |
|------|----------------------|---------|
| A    | overall length       | 5-9/16  |
| B    | coupler length       | 2-3/16  |
| C    | distance across EARS | 3-21/32 |

## Vent-Lock™ Type C Couplers

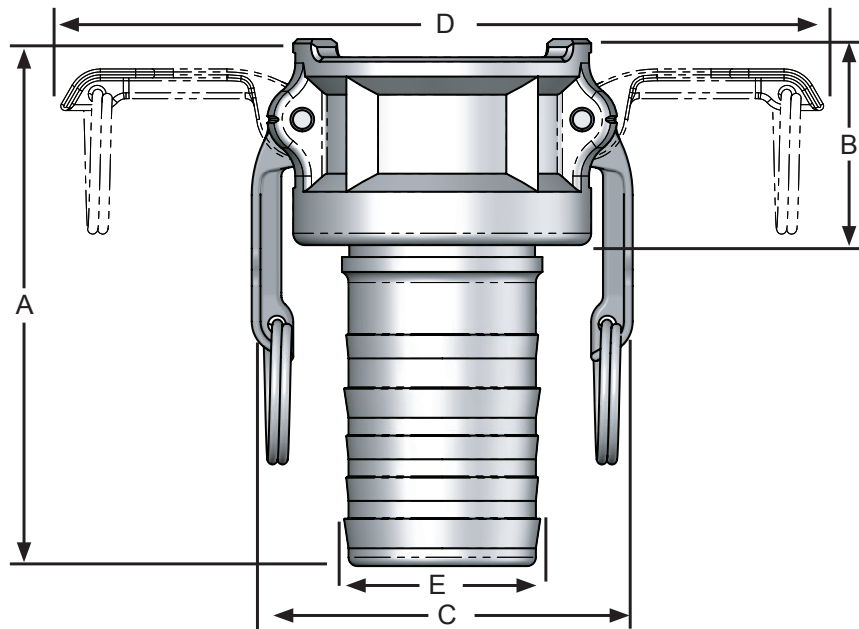
female coupler x hose shank



### Features:

- safety release cam & groove couplings permit the release of static pressure when disconnecting hose assemblies
- venting system protects operator from being sprayed with hazardous or non-hazardous fluids or solids
- rated to **250 PSI**, recommendation based on the use of mating Dixon® L-style fittings at ambient temperature **70°F (21°C)** with standard Buna-N seal installed, for use at elevated temperature or other unusual operating conditions, consult Dixon®
  - 1", 1½" and 2" sizes have a maximum working pressure of **250 PSI**
  - 3" maximum working pressure **150 PSI** with King Crimp™ ferrules, crimp sleeves and bands at **125 PSI**
- does not interchange with standard cam & groove products use only with Vent-Lock™ 

| Size | 316 Stainless Steel<br>Part # |
|------|-------------------------------|
| 1"   | <b>L100-C-SS</b>              |
| 1½"  | <b>L150-C-SS</b>              |
| 2"   | <b>L200-C-SS</b>              |



### 316 stainless steel dimensions


| Size                              | 1"      | 1½"     | 2"      |
|-----------------------------------|---------|---------|---------|
| A overall length                  | 4-17/32 | 4-13/16 | 5-17/32 |
| B coupler length                  | 1-19/32 | 1-29/32 | 2-5/32  |
| C distance across closed cam arms | 2-7/16  | 3-9/16  | 3-15/16 |
| D distance across open cam arms   | 5-3/16  | 7-7/16  | 7-13/16 |
| E hose shank OD                   | 1-1/16  | 1-9/16  | 2-1/16  |



## Vent-Lock™ Safety EZ Boss-Lock™ Type C Couplers

female coupler x hose shank

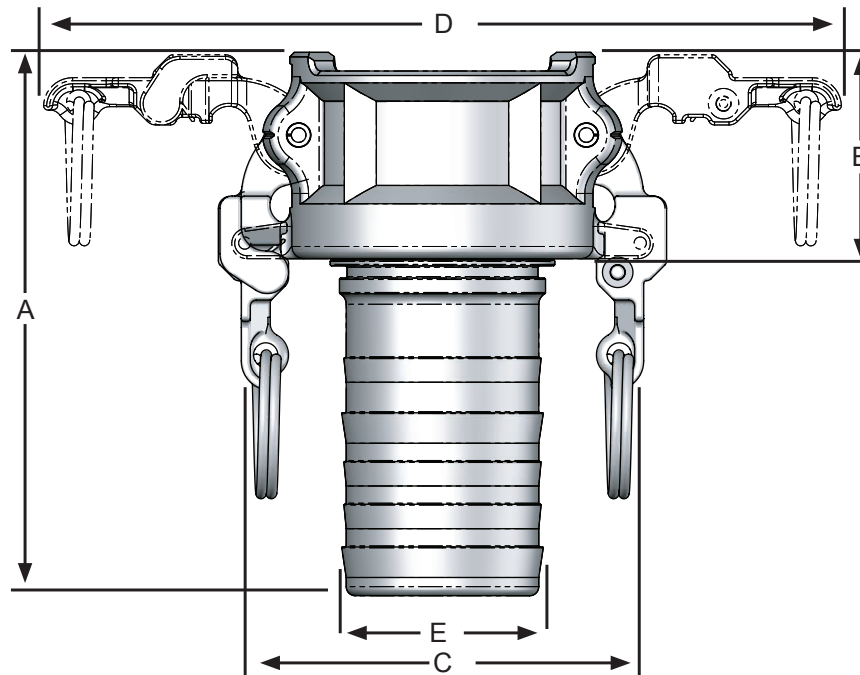
### Features:

- safety release cam & groove couplings permit the release of static pressure when disconnecting hose assemblies
- venting system protects operator from being sprayed with hazardous or non-hazardous fluids or solids
- rated to **250 PSI**, recommendation based on the use of mating Dixon® L-style fittings at ambient temperature **70°F (21°C)** with standard Buna-N seal installed, for use at elevated temperature or other unusual operating conditions, consult Dixon®
  - 1", 1½" and 2" sizes have a maximum working pressure of **250 PSI**
  - 3" maximum working pressure **150 PSI** with King Crimp™ ferrules, crimp sleeves and bands at **125 PSI**
- does not interchange with standard cam & groove products use only with Vent-Lock™  L-style fittings



| Size | 316 Stainless Steel<br>Part # |
|------|-------------------------------|
| 1"   | <b>RLC100EZ</b>               |
| 1½"  | <b>RLC150EZ</b>               |
| 2"   | <b>RLC200EZ<sup>1</sup></b>   |
| 3"   | <b>RLC300EZ<sup>1</sup></b>   |

<sup>1</sup> has drop shank



**316 stainless steel dimensions**

| Size                              | 1"      | 1½"     | 2"      | 3"      |
|-----------------------------------|---------|---------|---------|---------|
| A overall length                  | 4-15/32 | 5       | 5-9/16  | 6-9/16  |
| B coupler length                  | 1-17/32 | 2-3/32  | 2½      | 2¼      |
| C distance across closed cam arms | 3-7/32  | 4-7/32  | 4-19/32 | 5-27/32 |
| D distance across open cam arms   | 6-11/32 | 7-25/32 | 8-5/32  | 9-29/32 |
| E hose shank OD                   | 1-1/16  | 1-9/16  | 2-1/16  | 3-3/32  |

## Dixon® Type C Couplers

female coupler x hose shank

**Features:**

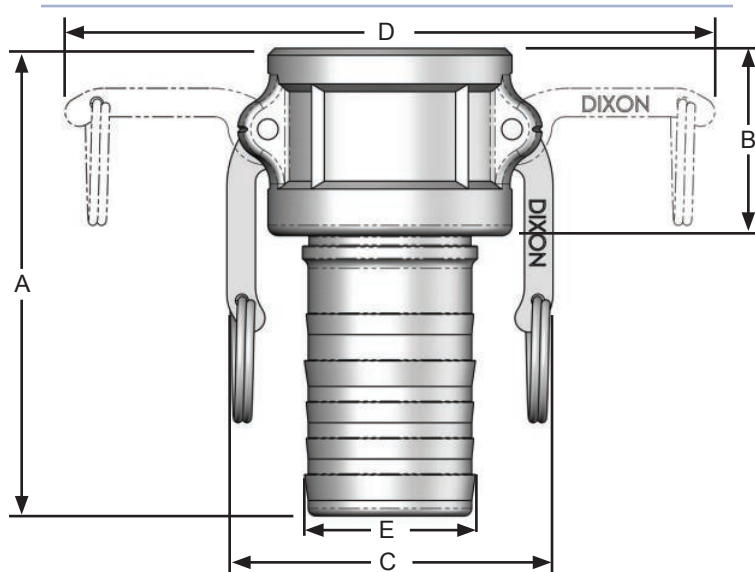
- Finger rings are not supplied on 1/2" - 1" Dixon® couplings.
- 1/2" Dixon® coupler has only one cam arm.
- Couplers are supplied standard with a Buna-N gasket, other types available on pages 65-67.



| Size   | 356T6 Aluminum Part # | Aluminum Hard Coat Part # | Brass Part # | Unplated Malleable Iron Part # | 316 Stainless Steel Part # |
|--------|-----------------------|---------------------------|--------------|--------------------------------|----------------------------|
| 1/2"   | 50-C-AL               | ---                       | 50-C-BR      | ---                            | 50-C-SS                    |
| 3/4"   | 75-C-AL               | ---                       | 75-C-BR      | ---                            | 75-C-SS                    |
| 1"     | 100-C-AL              | ---                       | 100-C-BR     | ---                            | 100-C-SS                   |
| 1 1/4" | 125-C-AL              | ---                       | 125-C-BR     | ---                            | 125-C-SS                   |
| 1 1/2" | 150-C-AL              | 150-C-ALH                 | 150-C-BR     | 150-C-MI                       | 150-C-SS                   |
| 2"     | 200-C-AL              | 200-C-ALH                 | 200-C-BR     | 200-C-MI <sup>2</sup>          | 200-C-SS                   |
| 2 1/2" | 250-C-AL              | ---                       | 250-C-BR     | ---                            | 250-C-SS                   |
| 3"     | 300-C-AL              | 300-C-ALH                 | 300-C-BR     | 300-C-MI <sup>2,3</sup>        | 300-C-SS                   |
| 4"     | 400-C-AL              | 400-C-ALH                 | 400-C-BR     | 400-C-MI <sup>2,3</sup>        | 400-C-SS                   |
| 5"     | 500-C-AL              | ---                       | ---          | ---                            | 500-C-SS                   |
| 6"     | 600-C-AL              | 600-C-ALH                 | 600-C-BR     | 600-C-MI <sup>2,3</sup>        | 600-C-SS                   |
| 8"     | 800-C-AL <sup>1</sup> | ---                       | ---          | ---                            | ---                        |



<sup>1</sup> Dixon® and Boss-Lock™ cam & groove couplings do not interchange in the 8" and 1/2" sizes. The 8" Dixon® design has 4 cam arms, Boss-Lock™ design has 2 cam arms.  
<sup>2</sup> suitable for use with King Crimp™ sleeves and ferrules  
<sup>3</sup> ductile iron



356T6 aluminum, brass and iron dimensions

| Size                              | 1/2"    | 3/4"  | 1"     | 1 1/4"  | 1 1/2"  | 2"      | 2 1/2"  | 3"      | 4"      | 5"      | 6"      | 8" BL    |
|-----------------------------------|---------|-------|--------|---------|---------|---------|---------|---------|---------|---------|---------|----------|
| A overall length                  | 2-21/32 | 3 3/4 | 4 1/2  | 4 3/4   | 4 7/8   | 5-19/32 | 6       | 6-17/32 | 6-9/16  | 6-9/16  | 8-23/32 | 11-13/16 |
| B coupler length                  | 1-7/32  | 1 1/4 | 1-9/16 | 1-15/16 | 1-31/32 | 2-7/32  | 2 1/4   | 2-5/16  | 2-5/16  | 2-5/16  | 2-11/16 | 3-13/16  |
| C distance across closed cam arms | 1-17/32 | 2 1/8 | 2-7/16 | 3 1/4   | 3-9/16  | 3-15/16 | 4-7/16  | 5-15/32 | 6-9/16  | 7-9/16  | 10-3/32 | 12-1/32  |
| D distance across open cam arms   | 2-11/16 | 4 3/8 | 5-3/16 | 7-5/32  | 7-7/16  | 7-13/16 | 8-11/32 | 10-3/32 | 11-3/16 | 12-3/16 | 16 1/4  | 19-31/32 |
| E hose shank OD                   | 19/32   | 27/32 | 1-1/16 | 1-11/32 | 1-9/16  | 2-1/16  | 2 5/8   | 3-3/32  | 4-3/32  | 5-3/32  | 6-1/16  | 8-3/32   |

316 stainless steel dimensions

| Size                              | 1/2"    | 3/4"    | 1"     | 1 1/4"  | 1 1/2"  | 2"      | 2 1/2"  | 3"      | 4"      | 5"      | 6"      | 8"  |
|-----------------------------------|---------|---------|--------|---------|---------|---------|---------|---------|---------|---------|---------|-----|
| A overall length                  | 3-7/32  | 3-11/16 | 4 1/2  | 4 5/8   | 4-13/16 | 5-19/32 | 6-1/16  | 6-7/16  | 6-17/32 | 7 3/8   | 8-11/16 | --- |
| B coupler length                  | 1-7/32  | 1 1/4   | 1-9/16 | 1-29/32 | 1-29/32 | 2-7/32  | 2 1/4   | 2 1/4   | 2-9/32  | 2-7/16  | 2-19/32 | --- |
| C distance across closed cam arms | 1-17/32 | 2 1/8   | 2-7/16 | 3 1/4   | 3-9/16  | 3-15/16 | 4-7/16  | 5-15/32 | 6-9/16  | 7-9/16  | 10-3/32 | --- |
| D distance across open cam arms   | 2 5/8   | 4 3/8   | 5-3/16 | 7-5/32  | 7-7/16  | 7-13/16 | 8-11/32 | 9-15/16 | 11-1/32 | 12-3/16 | 16 1/4  | --- |

## Boss-Lock™ Type C Couplers

female coupler x hose shank

### Features:

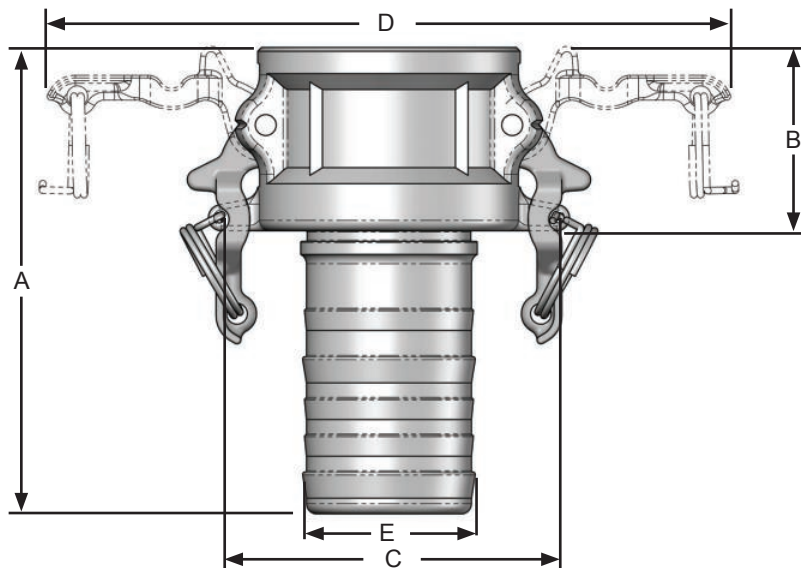
- All Boss-Lock™ couplers are supplied with safety clips.
- Couplers are supplied standard with a Buna-N gasket. Other gasket types are available on pages 65-67.

| Size        | 356T6<br>Aluminum<br>Part # | Brass<br>Part # | Plated<br>Malleable Iron<br>Part # | 316<br>Stainless Steel<br>Part # |
|-------------|-----------------------------|-----------------|------------------------------------|----------------------------------|
| 3/4" x 1/2" | ---                         | ---             | ---                                | <b>RC050BL</b>                   |
| 3/4"        | <b>AC075</b>                | <b>BC075</b>    | <b>IC075</b>                       | <b>RC075BL</b>                   |
| 1"          | <b>AC100</b>                | <b>BC100</b>    | <b>IC100</b>                       | <b>RC100BL</b>                   |
| 1 1/4"      | <b>AC125</b>                | <b>BC125</b>    | ---                                | <b>RC125BL</b>                   |
| 1 1/2"      | <b>AC150</b>                | <b>BC150</b>    | <b>IC150</b>                       | <b>RC150BLNO</b>                 |
| 2"          | <b>AC200</b>                | <b>BC200</b>    | <b>IC200</b>                       | <b>RC200BLNO</b>                 |
| 2 1/2"      | <b>AC250</b>                | <b>BC250</b>    | ---                                | ---                              |
| 3"          | <b>AC300</b>                | <b>BC300</b>    | <b>IC300</b>                       | <b>RC300BL</b>                   |
| 4"          | <b>AC400</b>                | <b>BC400</b>    | <b>IC400</b> <sup>2</sup>          | <b>RC400BLNO</b>                 |
| 6"          | <b>AC600</b>                | <b>BC600</b>    | <b>IC600</b> <sup>2</sup>          | ---                              |
| 8"          | <b>AC800</b> <sup>1</sup>   | ---             | ---                                | ---                              |



<sup>1</sup> Dixon® and Boss-Lock™ cam and groove couplings *do not interchange in the 8" and 1/2"* sizes. The 8" Dixon® design has 4 cam arms, Boss-Lock™ design has 2 cam arms.

<sup>2</sup> ductile iron



### 356T6 aluminum, brass and iron dimensions

| Size                              | 3/4" x 1/2" | 3/4"    | 1"      | 1 1/4"  | 1 1/2"  | 2"      | 2 1/2"  | 3"      | 4"      | 6"      | 8"       |
|-----------------------------------|-------------|---------|---------|---------|---------|---------|---------|---------|---------|---------|----------|
| A overall length                  | ---         | 4 3/8   | 4 7/8   | 5-7/16  | 4-29/32 | 5-19/32 | 6-1/16  | 6-3/16  | 6 1/2   | 8 3/8   | 11-13/16 |
| B coupler length                  | ---         | 1-13/32 | 1-17/32 | 1-29/32 | 1-31/32 | 2-7/32  | 2 1/4   | 2 1/4   | 2 1/4   | 2 5/8   | 2-13/16  |
| C distance across closed cam arms | ---         | 2-19/32 | 2-29/32 | 3 3/8   | 3-29/32 | 4-5/16  | 4-13/16 | 5-9/16  | 6-11/16 | 9 3/8   | 11 1/8   |
| D distance across open cam arms   | ---         | 5-13/32 | 5-9/16  | 7-15/32 | 7-25/32 | 8-5/32  | 8-21/32 | 9-29/32 | 11      | 16-5/32 | 18-5/32  |
| E hose shank OD                   | ---         | 27/32   | 1-1/16  | 1-11/32 | 1-9/16  | 2-1/16  | 2-19/32 | 3-3/32  | 4-3/32  | 6-3/32  | 8-1/16   |

### 316 stainless steel dimensions

| Size                              | 3/4" x 1/2" | 3/4"    | 1"      | 1 1/4"  | 1 1/2"  | 2"     | 2 1/2"  | 3"      | 4"      | 6"     | 8"     |
|-----------------------------------|-------------|---------|---------|---------|---------|--------|---------|---------|---------|--------|--------|
| A overall length                  | 3-3/32      | 3 3/8   | 4 1/2   | 4-31/32 | 5 1/2   | 5-5/16 | ---     | 6-9/32  | 7       | ---    | ---    |
| B coupler length                  | 1-5/16      | 1-9/32  | 1-9/16  | 2-1/32  | 1-29/32 | 2-3/16 | ---     | 2-9/32  | 2-5/16  | ---    | ---    |
| C distance across closed cam arms | 2-25/32     | 2-25/32 | 2-29/32 | 3 3/8   | 3-29/32 | 4-5/16 | ---     | 5-9/16  | 6-11/16 | ---    | ---    |
| D distance across open cam arms   | 5-13/32     | 5-13/32 | 5-9/16  | 7-15/32 | 7-25/32 | 8-5/32 | ---     | 9-29/32 | 11      | ---    | ---    |
| E hose shank OD                   | 40/32       | 27/32   | 1-1/16  | 1-11/32 | 1-9/16  | 2-1/16 | 2-19/32 | 3-3/32  | 4-3/32  | 6-3/32 | 8-1/16 |

## EZ Boss-Lock™ Type C Couplers

female coupler x hose shank

### Feature:

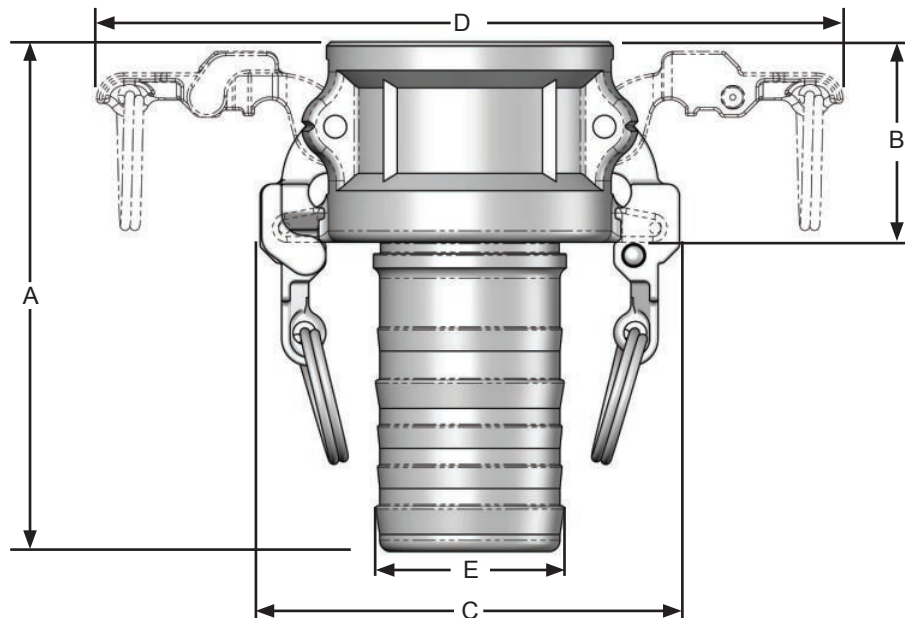
- Couplers are supplied standard with a Buna-N gasket. Other gasket types are available on pages 65-67.



| Size        | 356T6 Aluminum Part #      | Brass Part #   | 316 Stainless Steel Part # |
|-------------|----------------------------|----------------|----------------------------|
| 3/4" x 1/2" | ---                        | ---            | <b>RC050EZ</b>             |
| 3/4"        | <b>AC075EZ</b>             | <b>BC075EZ</b> | <b>RC075EZ</b>             |
| 1"          | <b>AC100EZ</b>             | <b>BC100EZ</b> | <b>RC100EZCR</b>           |
| 1 1/4"      | ---                        | <b>BC125EZ</b> | <b>RC125EZCR</b>           |
| 1 1/2"      | <b>AC150EZ</b>             | <b>BC150EZ</b> | <b>RC150EZNO</b>           |
| 2"          | <b>AC200EZ</b>             | <b>BC200EZ</b> | <b>RC200EZNO</b>           |
| 2 1/2"      | <b>AC250EZ</b>             | ---            | ---                        |
| 3"          | <b>AC300EZ</b>             | <b>BC300EZ</b> | <b>RC300EZCR</b>           |
| 4"          | <b>AC400EZ</b>             | <b>BC400EZ</b> | <b>RC400EZCR</b>           |
| 6"          | <b>AC600EZ</b>             | ---            | <b>RC600EZCR</b>           |
| 8"          | <b>AC800EZ<sup>1</sup></b> | ---            | ---                        |



<sup>1</sup> Dixon® and Boss-Lock™ cam and groove couplings *do not interchange in the 8" and 1/2" sizes*. The 8" Dixon® design has 4 cam arms, Boss-Lock™ design has 2 cam arms. *Under no circumstances should the EZ Boss-Lock™ cam arms be used on any fitting not specifically designed for their use.*



### 356T6 aluminum, brass and iron dimensions

| Size                              | 3/4" x 1/2" | 3/4"                          | 1"                            | 1 1/4"  | 1 1/2"  | 2"      | 2 1/2"                        | 3"                            | 4"                            | 6"                            | 8"       |
|-----------------------------------|-------------|-------------------------------|-------------------------------|---------|---------|---------|-------------------------------|-------------------------------|-------------------------------|-------------------------------|----------|
| A overall length                  | ---         | 4 <sup>3</sup> / <sub>8</sub> | 4 <sup>7</sup> / <sub>8</sub> | 5-7/16  | 4-29/32 | 5-19/32 | 6-1/16                        | 6-3/16                        | 6 <sup>1</sup> / <sub>2</sub> | 8 <sup>3</sup> / <sub>8</sub> | 11-13/16 |
| B coupler length                  | ---         | 1-13/32                       | 1-17/32                       | 1-29/32 | 1-31/32 | 2-7/32  | 2 <sup>1</sup> / <sub>4</sub> | 2 <sup>1</sup> / <sub>4</sub> | 2 <sup>1</sup> / <sub>4</sub> | 2 <sup>5</sup> / <sub>8</sub> | 2-13/16  |
| C distance across closed cam arms | ---         | 3-3/32                        | 3-7/32                        | 3-29/32 | 4-7/32  | 4-19/32 | 5-1/16                        | 5-27/32                       | 6-15/16                       | 9-31/32                       | 12       |
| D distance across open cam arms   | ---         | 6-7/32                        | 6-11/32                       | 7-15/32 | 7-25/32 | 8-5/32  | 8-21/32                       | 9-29/32                       | 11                            | 16-25/32                      | 18-25/32 |
| E hose shank OD                   | ---         | 27/32                         | 1-1/16                        | 1-11/32 | 1-9/16  | 2-1/16  | 2-19/32                       | 3-3/32                        | 4-3/32                        | 6-3/32                        | 8-1/16   |

### 316 stainless steel dimensions

| Size                              | 3/4" x 1/2" | 3/4"                          | 1"                            | 1 1/4"  | 1 1/2"                        | 2"      | 2 1/2" | 3"      | 4"      | 6"       | 8"  |
|-----------------------------------|-------------|-------------------------------|-------------------------------|---------|-------------------------------|---------|--------|---------|---------|----------|-----|
| A overall length                  | 3-3/32      | 3 <sup>7</sup> / <sub>8</sub> | 4 <sup>1</sup> / <sub>2</sub> | 4-31/32 | 5 <sup>1</sup> / <sub>2</sub> | 5-5/16  | ---    | 6-15/32 | 6-19/32 | 8-11/16  | --- |
| B coupler length                  | 1-5/16      | 1-9/32                        | 1-9/16                        | 2-1/32  | 2-29/32                       | 2-3/16  | ---    | 2-9/32  | 2-11/32 | 2-19/32  | --- |
| C distance across closed cam arms | 3-3/32      | 3-3/32                        | 3 <sup>3</sup> / <sub>4</sub> | 3-29/32 | 4-7/32                        | 4-19/32 | ---    | 5-27/32 | 6-15/16 | 9-31/32  | --- |
| D distance across open cam arms   | 6-7/32      | 6-7/32                        | 6-11/32                       | 7-15/32 | 7-25/32                       | 8-5/32  | ---    | 9-29/32 | 11      | 16-25/32 | --- |

## EZLink™ Armless Type D Couplers

### Applications:

- transfer and/or unloading of fuels (gasoline or diesel) from tank truck to storage tanks
- transfer of water and solutions compatible with aluminum and Buna-N rubber

### Materials:

- couplings and dust caps: A356 aluminum
- coupler tabs and springs: 316 stainless steel
- gasket: Buna-N

### Features:

- automatic couplers push-to-connect providing a reliable connection
- low profile allows easy connection and disconnection in tight applications
- coupler push tabs can be locked with safety pins and/or zip tie
- compatible with standard cam and groove adapters

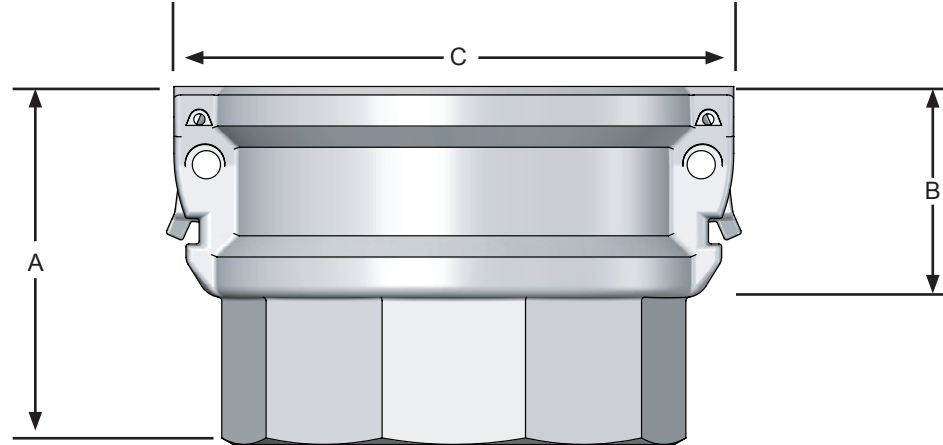
### Specifications:

- maximum working pressure with King Crimp™ ferrules: **250 PSI** (2"), **150 PSI** (3" and 4")
- maximum working pressure with crimp sleeves: **110 PSI**
- maximum working pressure with band clamps: **100 PSI**
- gasket temperature range: **5°F to 180°F (-15°C to 82°C)**



Only use EZLink™ gaskets for this coupling system. Traditional cam & groove gaskets, or other types of seals are not compatible and will fail. 

| Size | A356 Aluminum<br>Part # | 316 Stainless Steel<br>Part # |
|------|-------------------------|-------------------------------|
| 2"   | <b>EZL200-D-AL</b>      | <b>EZL200-D-SS</b>            |
| 3"   | <b>EZL300-D-AL</b>      | <b>EZL300-D-SS</b>            |
| 4"   | <b>EZL400-D-AL</b>      | ---                           |



### A356 aluminum dimensions

| Size                    | 2"      | 3"     | 4"      |
|-------------------------|---------|--------|---------|
| A overall length        | 3-5/16  | 3 3/8  | 3-31/32 |
| B coupler length        | 2-3/16  | 2-5/16 | 2-5/16  |
| C distance across EARS  | 3-21/32 | 5-3/32 | 6-3/16  |
| D distance across flats | 2 5/8   | 3 3/8  | 4 1/8   |


### 316 stainless steel dimensions

| Size                   | 2"      |
|------------------------|---------|
| A overall length       | 3-3/16  |
| B coupler length       | 2-3/16  |
| C distance across EARS | 3-21/32 |

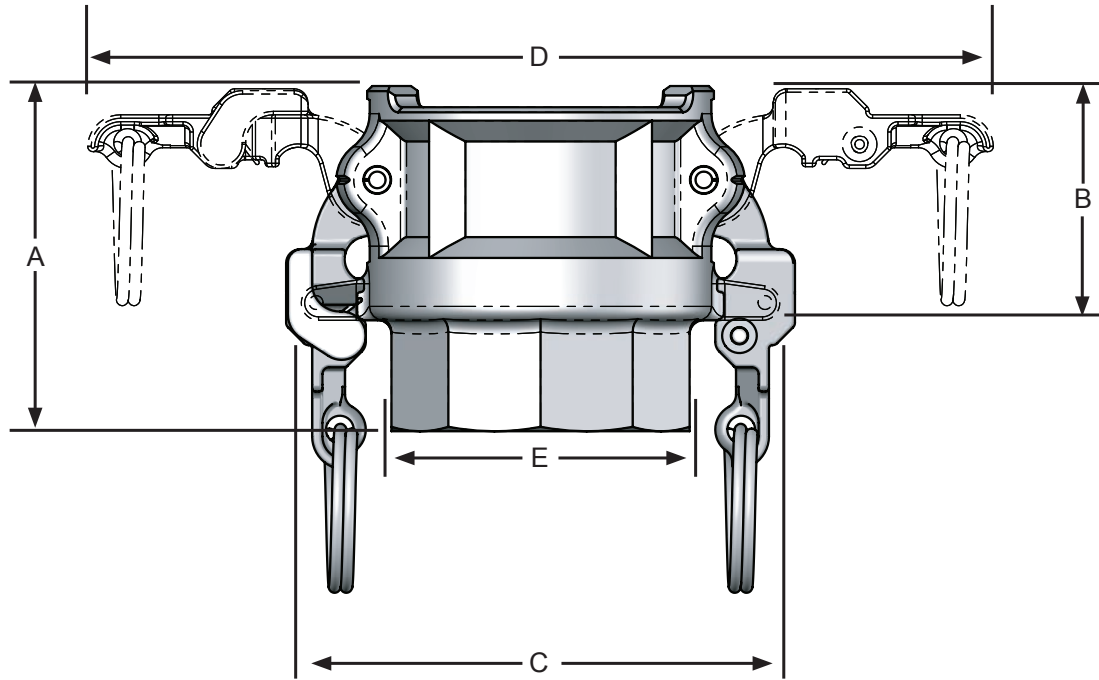
## Vent-Lock™ EZ Boss-Lock™ Type D Couplers



**Features:**

- safety release cam & groove couplings permit the release of static pressure when disconnecting hose assemblies
- venting system protects operator from being sprayed with hazardous or non-hazardous fluids or solids
- rated to **250 PSI**, recommendation based on the use of mating Dixon® L-style fittings at ambient temperature **70°F (21°C)** with standard Buna-N seal installed, for use at elevated temperature or other unusual operating conditions, consult Dixon®
  - 1", 1½" and 2" sizes have a maximum working pressure of **250 PSI**
  - 3" maximum working pressure **150 PSI** with King Crimp™ ferrules, crimp sleeves and bands at **125 PSI**
- does not interchange with standard cam & groove products use only with Vent-Lock™ 

| Size | 316 Stainless Steel Part # |
|------|----------------------------|
| 1"   | <b>RLD100EZ</b>            |
| 1½"  | <b>RLD150EZ</b>            |
| 2"   | <b>RLD200EZ</b>            |



**316 stainless steel dimensions**

| Size                              | 2"      |
|-----------------------------------|---------|
| A overall length                  | 3½      |
| B coupler length                  | 2½      |
| C distance across closed cam arms | 4-19/32 |
| D distance across open cam arms   | 8-5/32  |
| E distance across flats           | 2-11/16 |

## Dixon® Type D Couplers

### female coupler x female NPT

#### Features:

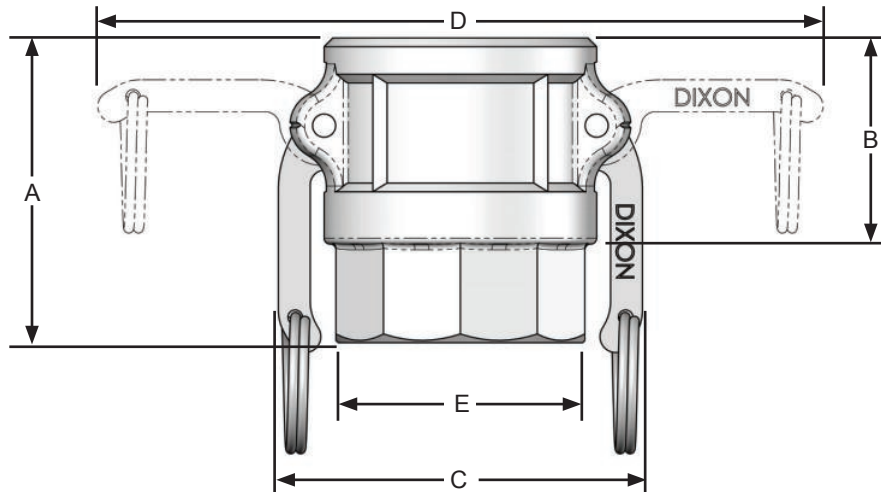
- Finger rings are not supplied on ½" - 1" Dixon® couplings.
- ½" Dixon® coupler has only one cam arm.
- Couplers are supplied standard with a Buna-N gasket. Other gasket types are available on pages 65-67.

| Size | 356T6 Aluminum Part # | Aluminum Hard Coat Part # | Brass Part # | Unplated Malleable Iron Part # | 316 Stainless Steel Part # |
|------|-----------------------|---------------------------|--------------|--------------------------------|----------------------------|
| ½"   | 50-D-AL               | ---                       | 50-D-BR      | ---                            | 50-D-SS                    |
| ¾"   | 75-D-AL               | ---                       | 75-D-BR      | ---                            | 75-D-SS                    |
| 1"   | 100-D-AL              | ---                       | 100-D-BR     | ---                            | 100-D-SS                   |
| 1¼"  | 125-D-AL              | ---                       | 125-D-BR     | ---                            | 125-D-SS                   |
| 1½"  | 150-D-AL              | 150-D-ALH                 | 150-D-BR     | 150-D-MI                       | 150-D-SS                   |
| 2"   | 200-D-AL              | 200-D-ALH                 | 200-D-BR     | 200-D-MI                       | 200-D-SS                   |
| 2½"  | 250-D-AL              | ---                       | 250-D-BR     | ---                            | 250-D-SS                   |
| 3"   | 300-D-AL              | 300-D-ALH                 | 300-D-BR     | 300-D-MI                       | 300-D-SS                   |
| 4"   | 400-D-AL              | 400-D-ALH                 | 400-D-BR     | 400-D-MI <sup>2</sup>          | 400-D-SS                   |
| 5"   | 500-D-AL              | ---                       | 500-D-BR     | 500-D-MI                       | 500-D-SS                   |
| 6"   | 600-D-AL              | 600-D-ALH                 | 600-D-BR     | ---                            | 600-D-SS                   |
| 8"   | 800-D-AL <sup>1</sup> | ---                       | ---          | ---                            | ---                        |



<sup>1</sup> Dixon® and Boss-Lock™ cam and groove couplings *do not interchange in the 8" and ½"* sizes. The 8" Dixon® design has 4 cam arms, Boss-Lock™ design has 2 cam arms.

<sup>2</sup> ductile iron



#### 356T6 aluminum, brass and iron dimensions

| Size                              | ½"      | ¾"     | 1"      | 1¼"     | 1½"     | 2"      | 2½"     | 3"      | 4"      | 5"                  | 6"                   | 8"                   |
|-----------------------------------|---------|--------|---------|---------|---------|---------|---------|---------|---------|---------------------|----------------------|----------------------|
| A overall length                  | 1-31/32 | 2-5/32 | 2-9/16  | 2-27/32 | 2-27/32 | 3-5/16  | 3%      | 3-11/16 | 3-13/16 | 3¾                  | 4-11/32              | 5-27/32              |
| B coupler length                  | 1-9/32  | 1%     | 1-9/16  | 1-15/16 | 1-13/16 | 2-7/32  | 2%      | 2%      | 2-5/16  | 2-5/16              | 2%                   | 3-13/16              |
| C distance across closed cam arms | 1-17/32 | 2%     | 2-7/16  | ¾       | 3-9/16  | 3-15/16 | 4-7/16  | 5-15/32 | 6-9/16  | 7-9/16              | 10-3/32              | 12-1/32              |
| D distance across open cam arms   | 2-9/16  | 4%     | 5-3/16  | 7-5/32  | 7-7/16  | 7-13/16 | 8-11/32 | 10-3/32 | 11-3/16 | 12-3/16             | 16¼                  | 19-31/32             |
| E distance across flats           | 1-1/16  | 1-9/32 | 1-19/32 | 2       | 2-3/16  | 2%      | 3-7/32  | ¾       | 4%      | 6-9/16 <sup>1</sup> | 7-23/32 <sup>1</sup> | 10-1/16 <sup>1</sup> |

<sup>1</sup> distance across lugs

#### 316 stainless steel dimensions

| Size                              | ½"      | ¾"     | 1"     | 1¼"     | 1½"     | 2"      | 2½"     | 3"      | 4"      | 5"                  | 6"                  | 8"  |
|-----------------------------------|---------|--------|--------|---------|---------|---------|---------|---------|---------|---------------------|---------------------|-----|
| A overall length                  | 2       | 2-1/16 | 2½     | 2-27/32 | 2-27/32 | 3-3/16  | 3¾      | 3-19/32 | 3-11/16 | 3-13/16             | 4-1/16              | --- |
| B coupler length                  | 1-7/32  | 1¼     | 1-9/16 | 1-29/32 | 1-29/32 | 2-7/32  | 2¼      | 2-9/32  | 2-9/32  | 2-5/16              | 2-19/32             | --- |
| C distance across closed cam arms | 1-17/32 | 2%     | 2-7/16 | ¾       | 3-9/16  | 3-15/16 | 4-7/16  | 5-15/32 | 6-9/16  | 7-9/16              | 10-3/32             | --- |
| D distance across open cam arms   | 2%      | 4%     | 5-3/16 | 7-5/32  | 7-7/16  | 7-13/16 | 8-11/32 | 9-15/16 | 11-1/32 | 12-3/16             | 16¼                 | --- |
| E distance across flats           | 1-3/32  | 1-5/16 | 1%     | 1-15/16 | 2-3/16  | 2-11/16 | 3¾      | 3¾      | 4%      | 6-7/16 <sup>1</sup> | 7-9/16 <sup>1</sup> | --- |

## Boss-Lock™ Type D Couplers


female coupler x female NPT

**Features:**

- All Boss-Lock™ couplers are supplied with safety clips.
- Couplers are supplied standard with a Buna-N gasket. Other gasket types are available on pages 65-67.

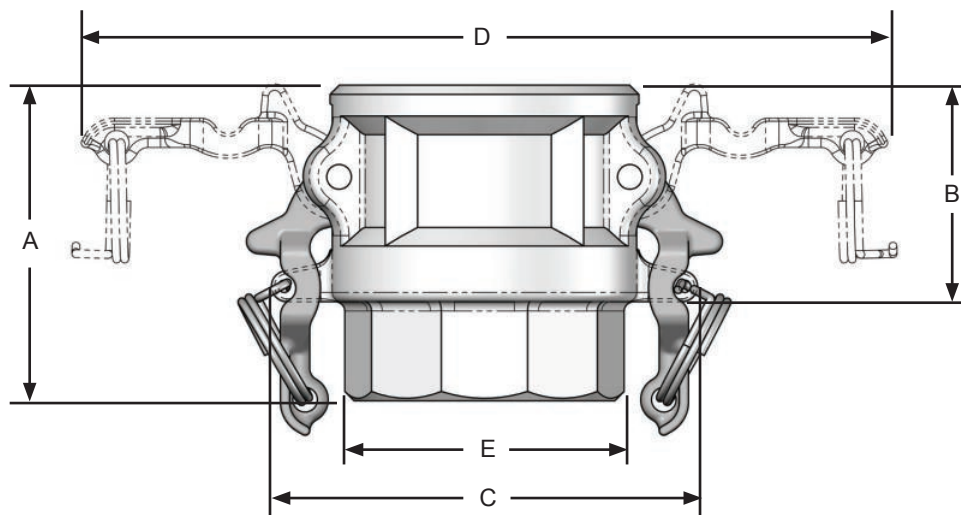


| Size        | 356T6 Aluminum Part # | Brass Part # | Plated Malleable Iron Part # | 316 Stainless Steel Part # |
|-------------|-----------------------|--------------|------------------------------|----------------------------|
| 3/4" x 1/2" | AD050                 | BD050        | ---                          | RD050BL                    |
| 3/4"        | AD075                 | BD075        | ID075                        | RD075BL                    |
| 1"          | AD100                 | BD100        | ID100                        | RD100BL                    |
| 1 1/4"      | AD125                 | BD125        | ---                          | RD125BL                    |
| 1 1/2"      | AD150                 | BD150        | ID150                        | RD150BL                    |
| 2"          | AD200                 | BD200        | ID200                        | RD200BL                    |
| 2 1/2"      | AD250                 | BD250        | ---                          | ---                        |
| 3"          | AD300                 | BD300        | ID300                        | RD300BL                    |
| 4"          | AD400                 | BD400        | ID400                        | RD400BL                    |
| 5"          | AD500                 | ---          | ---                          | ---                        |
| 6"          | AD600                 | BD600        | ID600 <sup>2</sup>           | ---                        |
| 8"          | AD800 <sup>1</sup>    | ---          | ---                          | ---                        |

 <sup>1</sup> Dixon® and Boss-Lock™ cam and groove couplings *do not interchange in the 8" and 1/2" sizes.*

The 8" Dixon® design has 4 cam arms, Boss-Lock™ design has 2 cam arms.

<sup>2</sup> ductile iron



### 356T6 aluminum, brass and iron dimensions

| Size                            | 3/4" x 1/2" | 3/4"    | 1"      | 1 1/4"  | 1 1/2"  | 2"     | 2 1/2"  | 3"      | 4"      | 5"                 | 6"      | 8"      |
|---------------------------------|-------------|---------|---------|---------|---------|--------|---------|---------|---------|--------------------|---------|---------|
| A overall length                | 2           | 2-7/32  | 2-17/32 | 3-3/32  | 2-31/32 | 3 3/4  | 3-11/16 | 3-27/32 | 3-13/16 | 4 1/8              | 4 1/2   | 4 1/2   |
| B coupler length                | 1-5/16      | 1-13/32 | 1-17/32 | 1-29/32 | 1-31/32 | 2-3/16 | 2 1/4   | 2-9/32  | 2-5/16  | 2-13/32            | 2-9/16  | 2-13/16 |
| C distance across safety lugs   | 2-19/32     | 2-19/32 | 2-29/32 | 3 5/8   | 3-29/32 | 4-5/16 | 4-13/16 | 5-9/16  | 6-11/16 | 7-25/32            | 9 5/8   | 11 5/8  |
| D distance across open cam arms | 5-13/32     | 5-13/32 | 5-9/16  | 7-15/32 | 7-25/32 | 8-5/32 | 8-21/32 | 9-29/32 | 11      | 12-1/32            | 16-5/32 | 18-5/32 |
| E distance across flats         | 1-3/16      | 1 5/8   | 1 5/8   | 2       | 2 1/4   | 2 5/8  | 3-5/16  | 3 3/8   | 4 3/8   | 6 1/2 <sup>1</sup> | 8-5/32  | 9-31/32 |

<sup>1</sup> distance across lugs

### 316 stainless steel dimensions

| Size                            | 3/4" x 1/2" | 3/4"    | 1"      | 1 1/4"  | 1 1/2"  | 2"     | 2 1/2" | 3"      | 4"      | 5"  | 6"  | 8"  |
|---------------------------------|-------------|---------|---------|---------|---------|--------|--------|---------|---------|-----|-----|-----|
| A overall length                | 2           | 2 1/8   | 2 1/2   | 3-3/32  | 2-27/32 | 3-3/16 | ---    | 3-19/32 | 3-23/32 | --- | --- | --- |
| B coupler length                | 1-5/16      | 1-9/32  | 1-9/16  | 1-29/32 | 1-29/32 | 2-3/16 | ---    | 2-9/32  | 2-5/16  | --- | --- | --- |
| C distance across safety lugs   | 2-25/32     | 2-25/32 | 2-29/32 | 3 3/8   | 3-29/32 | 4-5/16 | ---    | 5-9/16  | 6-11/16 | --- | --- | --- |
| D distance across open cam arms | 5-13/32     | 5-13/32 | 5-9/16  | 7-15/32 | 7-25/32 | 8-5/32 | ---    | 9-29/32 | 11      | --- | --- | --- |



## EZ Boss-Lock™ Type D Couplers

### female coupler x female NPT

**Feature:**

- Couplers are supplied standard with a Buna-N gasket. Other gasket types are available on pages 65-67.

| Size        | 356T6 Aluminum Part #      | Brass Part #   | 316 Stainless Steel Part # | Heavy Duty 316 Stainless Steel Part # |
|-------------|----------------------------|----------------|----------------------------|---------------------------------------|
| 3/4" x 1/2" | ---                        | ---            | <b>RD050EZ</b>             | ---                                   |
| 3/4"        | <b>AD075EZ</b>             | <b>BD075EZ</b> | <b>RD075EZ</b>             | ---                                   |
| 1"          | <b>AD100EZ</b>             | <b>BD100EZ</b> | <b>RD100EZ</b>             | ---                                   |
| 1 1/4"      | ---                        | <b>BD125EZ</b> | <b>RD125EZ</b>             | ---                                   |
| 1 1/2"      | <b>AD150EZ</b>             | <b>BD150EZ</b> | <b>RD150EZ</b>             | ---                                   |
| 2"          | <b>AD200EZ</b>             | <b>BD200EZ</b> | <b>RD200EZ</b>             | ---                                   |
| 2 1/2"      | <b>AD250EZ</b>             | <b>BD250EZ</b> | <b>RD250EZ</b>             | ---                                   |
| 3"          | <b>AD300EZ</b>             | <b>BD300EZ</b> | <b>RD300EZ</b>             | <b>RD300EZHD<sup>2</sup></b>          |
| 4"          | <b>AD400EZ</b>             | <b>BD400EZ</b> | <b>RD400EZ</b>             | <b>RD400EZHD<sup>2</sup></b>          |
| 5"          | <b>AD500EZ</b>             | ---            | ---                        | ---                                   |
| 6"          | <b>AD600EZ</b>             | ---            | <b>RD600EZ</b>             | ---                                   |
| 8"          | <b>AD800EZ<sup>1</sup></b> | ---            | ---                        | ---                                   |

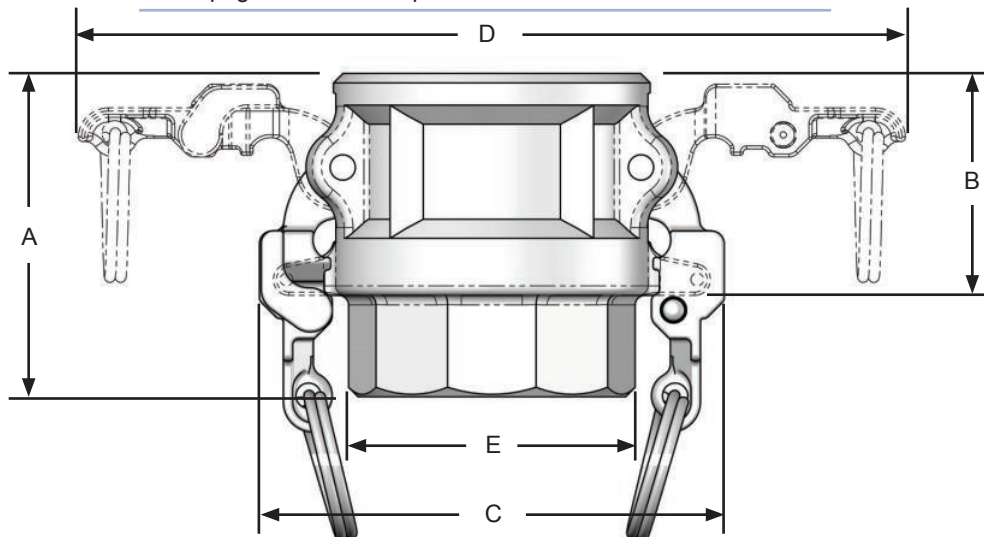


<sup>1</sup> Dixon® and Boss-Lock™ cam and groove couplings *do not interchange in the 8" and 1/2" sizes.*

<sup>2</sup> Supplied with 4 cam arms

The 8" Dixon® design has 4 cam arms, Boss-Lock™ design has 2 cam arms.

*Under no circumstances should the EZ Boss-Lock™ cam arms be used on any fitting not specifically designed for their use. See page 6 for further specifications.*



#### 356T6 aluminum, brass and iron dimensions

| Size                              | 3/4" x 1/2" | 3/4"    | 1"      | 1 1/4"  | 1 1/2"  | 2"      | 2 1/2"  | 3"      | 4"      | 5"                   | 6"       | 8"       |
|-----------------------------------|-------------|---------|---------|---------|---------|---------|---------|---------|---------|----------------------|----------|----------|
| A overall length                  | ---         | 2-7/32  | 2-17/32 | 3-3/32  | 2 5/8   | 3 1/4   | 3-11/16 | 3-27/32 | 3-13/16 | 4 5/8                | 4 1/2    | 4 1/2    |
| B coupler length                  | ---         | 1-13/32 | 1-17/32 | 1-29/32 | 1-31/32 | 2-7/32  | 2 1/4   | 2-9/32  | 2-5/16  | 2-13/32              | 2 5/8    | 2-13/16  |
| C distance across closed cam arms | ---         | 3-3/32  | 3-7/32  | 3-29/32 | 4-7/32  | 4-19/32 | 5-1/16  | 5-27/32 | 6-15/16 | 7 7/8                | 9-31/32  | 12       |
| D distance across open cam arms   | ---         | 6-7/32  | 6-11/32 | 7-15/32 | 7-25/32 | 8-5/32  | 8-21/32 | 9-29/32 | 11      | 12-1/16              | 16-25/32 | 18-25/32 |
| E distance across flats           | ---         | 1 5/8   | 1 5/8   | 2       | 2 1/4   | 2 5/8   | 3-5/16  | 3 7/8   | 4 7/8   | 6-25/32 <sup>1</sup> | 8-5/32   | 9-31/32  |

<sup>1</sup> distance across lugs

#### 316 stainless steel dimensions

| Size                              | 3/4" x 1/2" | 3/4"   | 1"      | 1 1/4"  | 1 1/2"  | 2"      | 2 1/2"  | 3"      | 4"      | 5"  | 6"       | 8"  |
|-----------------------------------|-------------|--------|---------|---------|---------|---------|---------|---------|---------|-----|----------|-----|
| A overall length                  | 2           | 2 5/8  | 2 1/2   | 3-3/32  | 2-27/32 | 3-3/16  | 3-11/16 | 3-19/32 | 3-23/32 | --- | 4-1/16   | --- |
| B coupler length                  | 1-5/16      | 1-9/32 | 1-9/16  | 1-29/32 | 1-29/32 | 2-3/16  | 2 1/4   | 2-9/32  | 2-5/16  | --- | 2-19/32  | --- |
| C distance across closed cam arms | 3-3/32      | 3-3/32 | 3 1/4   | 3-29/32 | 4-7/32  | 4-19/32 | 5-1/16  | 5-27/32 | 6-15/16 | --- | 9-31/32  | --- |
| D distance across open cam arms   | 6-7/32      | 6-7/32 | 6-11/32 | 7-15/32 | 7-25/32 | 8-5/32  | 8-21/32 | 9-29/32 | 11      | --- | 16-25/32 | --- |

## EZLink™ Armless Type B Couplers

### Applications:

- transfer and/or unloading of fuels (gasoline or diesel) from tank truck to storage tanks
- transfer of water and solutions compatible with aluminum and Buna-N rubber

### Materials:

- couplings and dust caps: A356 aluminum
- coupler tabs and springs: 316 stainless steel
- gasket: Buna-N

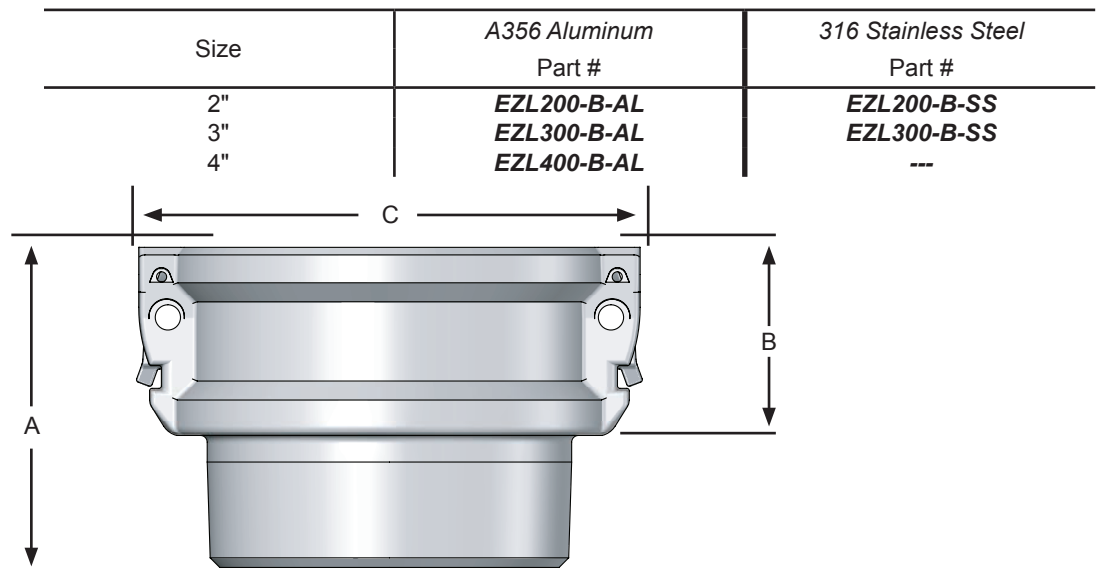
### Features:

- automatic couplers push-to-connect providing a reliable connection
- low profile allows easy connection and disconnection in tight applications
- coupler push tabs can be locked with safety pins and/or zip tie
- compatible with standard cam and groove adapters

### Specifications:

- maximum working pressure with King Crimp™ ferrules: **250 PSI** (2"), **150 PSI** (3" and 4")
- maximum working pressure with crimp sleeves: **110 PSI**
- maximum working pressure with band clamps: **100 PSI**
- gasket temperature range: **5°F to 180°F (-15°C to 82°C)**

Only use EZLink™ gaskets for this coupling system. Traditional cam & groove gaskets, or other types of seals are not compatible and will fail. 



### A356 aluminum dimensions

| Size                   | 2"      | 3"     | 4"      |
|------------------------|---------|--------|---------|
| A overall length       | 3-7/32  | 3 3/8  | 3-15/16 |
| B coupler length       | 2-3/16  | 2-5/16 | 2-5/16  |
| C distance across EARS | 3-21/32 | 5-3/32 | 6-3/16  |

### 316 stainless steel dimensions

| Size                   | 2"      |
|------------------------|---------|
| A overall length       | 3-3/16  |
| B coupler length       | 2-3/16  |
| C distance across EARS | 3-21/32 |

## Dixon® Type B Couplers

### female coupler x male NPT

#### Features:

- Finger rings are not supplied on ½" - 1" Dixon® couplings.
- ½" Dixon coupler has only one cam arm.
- Couplers are supplied standard with a Buna-N gasket. Other gasket types are available on pages 65-67.

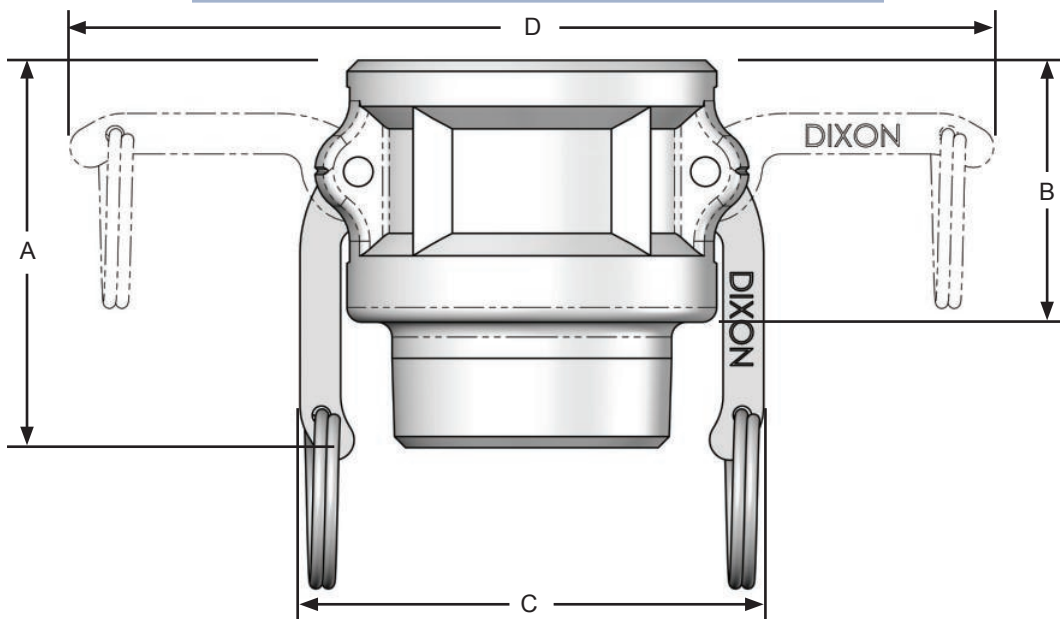
| Size | 356T6<br>Aluminum<br>Part #    | Aluminum<br>Hard Coat<br>Part # | Brass<br>Part # | Unplated<br>Malleable Iron<br>Part # | 316<br>Stainless Steel<br>Part # |
|------|--------------------------------|---------------------------------|-----------------|--------------------------------------|----------------------------------|
| ½"   | <b>50-B-AL</b>                 | ---                             | <b>50-B-BR</b>  | ---                                  | <b>50-B-SS</b>                   |
| ¾"   | <b>75-B-AL</b>                 | ---                             | <b>75-B-BR</b>  | ---                                  | <b>75-B-SS</b>                   |
| 1"   | <b>100-B-AL</b>                | ---                             | <b>100-B-BR</b> | ---                                  | <b>100-B-SS</b>                  |
| 1¼"  | <b>125-B-AL</b>                | ---                             | ---             | ---                                  | ---                              |
| 1½"  | <b>150-B-AL</b>                | <b>150-B-ALH</b>                | <b>150-B-BR</b> | <b>150-B-MI</b> <sup>3</sup>         | <b>150-B-SS</b>                  |
| 2"   | <b>200-B-AL</b>                | <b>200-B-ALH</b>                | <b>200-B-BR</b> | <b>200-B-MI</b>                      | <b>200-B-SS</b>                  |
| 2½"  | <b>250-B-AL</b>                | ---                             | ---             | ---                                  | <b>250-B-SS</b>                  |
| 3"   | <b>300-B-AL</b>                | <b>300-B-ALH</b>                | <b>300-B-BR</b> | <b>300-B-MI</b> <sup>3</sup>         | <b>300-B-SS</b>                  |
| 4"   | <b>400-B-AL</b>                | <b>400-B-ALH</b>                | <b>400-B-BR</b> | <b>400-B-MI</b>                      | <b>400-B-SS</b>                  |
| 5"   | <b>500-B-AL</b>                | ---                             | ---             | ---                                  | <b>600-B-SS</b>                  |
| 6"   | <b>600-B-AL</b>                | <b>600-B-ALH</b>                | ---             | ---                                  | ---                              |
| 8"   | <b>800-B-AL</b> <sup>1,2</sup> | ---                             | ---             | ---                                  | ---                              |



<sup>1</sup> Dixon® and Boss-Lock™ cam and groove couplings do not interchange in the 8" and ½" sizes. The 8" Dixon® design has 4 cam arms, Boss-Lock™ design has 2 cam arms.

<sup>2</sup> Parts are produced as a welded fabrication.

<sup>3</sup> ductile iron



#### 356T6 aluminum, brass and iron dimensions

| Size                              | ½"      | ¾"     | 1"      | 1¼"     | 1½"     | 2"      | 2½"     | 3"      | 4"      | 5"      | 6"      | 8"       |
|-----------------------------------|---------|--------|---------|---------|---------|---------|---------|---------|---------|---------|---------|----------|
| A overall length                  | 1-31/32 | 2-1/32 | 2-17/32 | 2¾      | 2-27/32 | 3¼      | 3¾      | 3-15/16 | 4-1/32  | 4-3/16  | 4-7/16  | 8¼       |
| B coupler length                  | 1-9/32  | 1-9/32 | 1-21/32 | 1-31/32 | 1-13/16 | 2-7/32  | 2¾      | 2-5/16  | 2-11/32 | 2-5/16  | 2¾      | 3-13/16  |
| C distance across closed cam arms | 1-17/32 | 2¾     | 2-7/16  | 3¼      | 3-9/16  | 3-15/16 | 4-7/16  | 5-15/32 | 6-9/16  | 7-9/16  | 10-3/32 | 12-1/32  |
| D distance across open cam arms   | 2¾      | 4¾     | 5-3/16  | 7-5/32  | 7-7/16  | 7-13/16 | 8-11/32 | 10-3/32 | 11-3/16 | 12-3/16 | 16¼     | 19-31/32 |

#### 316 stainless steel dimensions

| Size                              | ½"      | ¾" | 1"     | 1¼"     | 1½"     | 2"      | 2½"    | 3"      | 4"     | 5"  | 6"      | 8"  |
|-----------------------------------|---------|----|--------|---------|---------|---------|--------|---------|--------|-----|---------|-----|
| A overall length                  | 2-1/32  | 2¾ | 2-9/16 | 2-27/32 | 2-31/32 | 3-9/32  | 3-7/16 | 3-29/32 | 4      | --- | 4-17/32 | --- |
| B coupler length                  | 1-7/32  | 1¼ | 1-9/16 | 1-29/32 | 1-29/32 | 2-7/32  | 2¼     | 2-9/32  | 2-9/32 | --- | 2-19/32 | --- |
| C distance across closed cam arms | 1-17/32 | 2¾ | 2-7/16 | 3¼      | 3-9/16  | 3-15/16 | 4-7/16 | 5-15/32 | 6-9/16 | --- | 10-3/32 | --- |

## Boss-Lock™ Type B Couplers

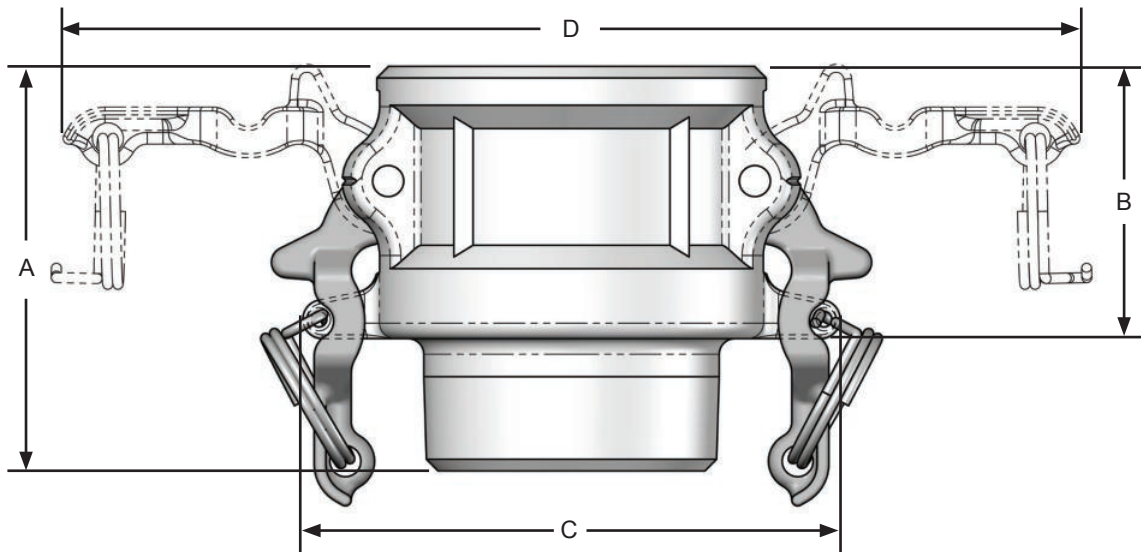
female coupler x male NPT

**Features:**

- All Boss-Lock™ couplers are supplied with safety clips.
- Couplers are supplied standard with a Buna-N gasket. Other gasket types are available on pages 65-67.



| Size        | 356T6 Aluminum<br>Part # | Brass<br>Part # | Plated<br>Malleable Iron<br>Part # | 316<br>Stainless Steel<br>Part # |
|-------------|--------------------------|-----------------|------------------------------------|----------------------------------|
| 3/4" x 1/2" | ---                      | ---             | ---                                | <b>RB050BL</b>                   |
| 3/4"        | ---                      | <b>BB075</b>    | ---                                | <b>RB075BL</b>                   |
| 1"          | <b>AB100</b>             | <b>BB100</b>    | <b>IB100</b>                       | <b>RB100BL</b>                   |
| 1 1/4"      | <b>AB125</b>             | <b>BB125</b>    | ---                                | <b>RB125BL</b>                   |
| 1 1/2"      | <b>AB150</b>             | <b>BB150</b>    | ---                                | <b>RB150BL</b>                   |
| 2"          | <b>AB200</b>             | <b>BB200</b>    | <b>IB200</b>                       | <b>RB200BL</b>                   |
| 2 1/2"      | <b>AB250</b>             | <b>BB250</b>    | ---                                | ---                              |
| 3"          | <b>AB300</b>             | <b>BB300</b>    | ---                                | <b>RB300BL</b>                   |
| 4"          | <b>AB400</b>             | <b>BB400</b>    | ---                                | <b>RB400BL</b>                   |
| 6"          | <b>AB600</b>             | ---             | ---                                | ---                              |



**356T6 aluminum, brass and iron dimensions**

| Size                            | 3/4" x 1/2" | 3/4"    | 1"      | 1 1/4"  | 1 1/2"  | 2"     | 2 1/2"  | 3"      | 4"      | 5"  | 6"      | 8"  |
|---------------------------------|-------------|---------|---------|---------|---------|--------|---------|---------|---------|-----|---------|-----|
| A overall length                | ---         | 2-5/16  | 2-17/32 | 3-5/32  | 3-5/32  | 3-9/32 | 3 7/8   | 4       | 4-1/16  | --- | 4-23/32 | --- |
| B coupler length                | ---         | 1-13/32 | 1-17/32 | 1-29/32 | 1-29/32 | 2-7/32 | 2 1/4   | 2-5/16  | 2-5/16  | --- | 2-19/32 | --- |
| C distance across safety lugs   | ---         | 2-19/32 | 2-29/32 | 3 3/8   | 3-29/32 | 4-5/16 | 4-13/16 | 5-9/16  | 6-11/16 | --- | 9 3/8   | --- |
| D distance across open cam arms | ---         | 5-13/32 | 5-9/16  | 7-15/32 | 7-25/32 | 8-5/32 | 8-21/32 | 9-29/32 | 11      | --- | 16-5/32 | --- |

**316 stainless steel dimensions**

| Size                          | 3/4" x 1/2" | 3/4"    | 1"      | 1 1/4"  | 1 1/2"  | 2"     | 2 1/2" | 3"      | 4"      | 5"  | 6"  | 8"  |
|-------------------------------|-------------|---------|---------|---------|---------|--------|--------|---------|---------|-----|-----|-----|
| A overall length              | 2 1/4       | 2 1/4   | 2-9/16  | 3-3/16  | 3-7/32  | 3 1/4  | ---    | 3-29/32 | 4-1/16  | --- | --- | --- |
| B coupler length              | 1-5/16      | 1-9/32  | 1-9/16  | 1-29/32 | 1-29/32 | 2-3/16 | ---    | 2-9/32  | 2-5/16  | --- | --- | --- |
| C distance across safety lugs | 2-25/32     | 2-25/32 | 2-29/32 | 3 3/8   | 3-29/32 | 4-5/16 | ---    | 5-9/16  | 6-11/16 | --- | --- | --- |

## EZ Boss-Lock™ Type B Couplers

female coupler x male NPT

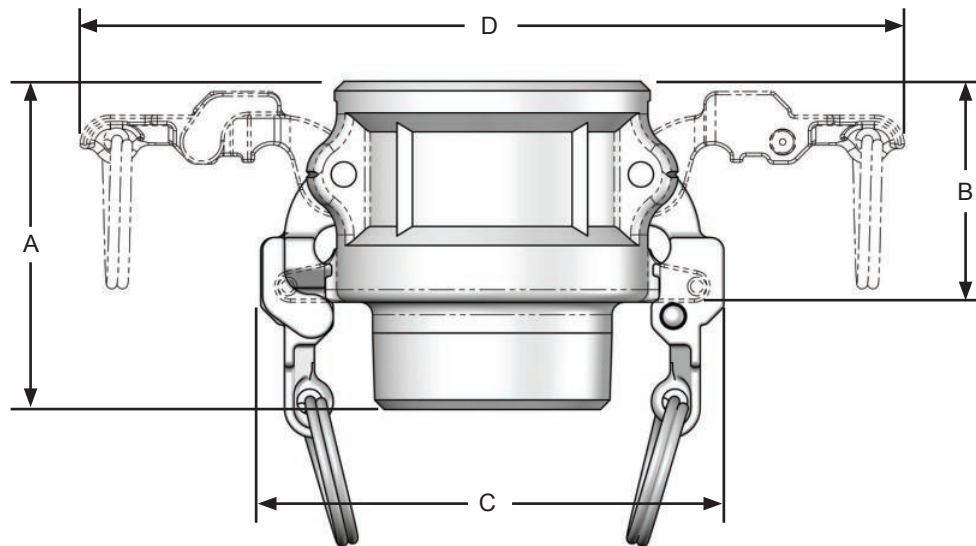
### Features:

- Couplers are supplied standard with a Buna-N gasket. Other gasket types are available on pages 65-67.



- Under no circumstances should the EZ Boss-Lock™ cam arms be used on any fitting not specifically designed for their use. See page 6 for further specifications.

| Size        | 356T6 Aluminum Part # | Brass Part #   | 316 Stainless Steel Part # |
|-------------|-----------------------|----------------|----------------------------|
| 3/4" x 1/2" | ---                   | ---            | <b>RB050EZ</b>             |
| 3/4"        | ---                   | <b>BB075EZ</b> | <b>RB075EZ</b>             |
| 1"          | <b>AB100EZ</b>        | <b>BB100EZ</b> | <b>RB100EZ</b>             |
| 1 1/4"      | ---                   | <b>BB125EZ</b> | <b>RB125EZ</b>             |
| 1 1/2"      | <b>AB150EZ</b>        | <b>BB150EZ</b> | <b>RB150EZ</b>             |
| 2"          | <b>AB200EZ</b>        | <b>BB200EZ</b> | <b>RB200EZ</b>             |
| 3"          | <b>AB300EZ</b>        | <b>BB300EZ</b> | <b>RB300EZ</b>             |
| 4"          | <b>AB400EZ</b>        | <b>BB400EZ</b> | <b>RB400EZ</b>             |
| 6"          | ---                   | ---            | <b>RB600EZ</b>             |



### 356T6 aluminum, brass and iron dimensions

| Size                              | 3/4" x 1/2" | 3/4"    | 1"      | 1 1/4"  | 1 1/2"  | 2"      | 2 1/2" | 3"      | 4"      | 5"  | 6"  | 8"  |
|-----------------------------------|-------------|---------|---------|---------|---------|---------|--------|---------|---------|-----|-----|-----|
| A overall length                  | ---         | 2-5/16  | 2-17/32 | 3-5/32  | 3-5/32  | 3-9/32  | ---    | 4       | 4-1/16  | --- | --- | --- |
| B coupler length                  | ---         | 1-13/32 | 1-17/32 | 1-29/32 | 1-29/32 | 2-7/32  | ---    | 2-5/16  | 2-5/16  | --- | --- | --- |
| C distance across closed cam arms | ---         | 3-3/32  | 3-7/32  | 3-29/32 | 4-7/32  | 4-19/32 | ---    | 5-27/32 | 6-15/16 | --- | --- | --- |
| D distance across open cam arms   | ---         | 6-7/32  | 6-11/32 | 7-15/32 | 7-25/32 | 8-5/32  | ---    | 9-29/32 | 11      | --- | --- | --- |

### 316 stainless steel dimensions

| Size                              | 3/4" x 1/2" | 3/4"   | 1"      | 1 1/4"  | 1 1/2"  | 2"      | 2 1/2" | 3"      | 4"      | 5"  | 6"      | 8"  |
|-----------------------------------|-------------|--------|---------|---------|---------|---------|--------|---------|---------|-----|---------|-----|
| A overall length                  | 2 1/4       | 2 1/4  | 2-9/16  | 3-3/16  | 3-7/32  | 3 3/4   | ---    | 3-29/32 | 4-1/16  | --- | 4-17/32 | --- |
| B coupler length                  | 1-5/16      | 1-9/32 | 1-9/16  | 1-29/32 | 1-29/32 | 2-3/16  | ---    | 2-9/32  | 2-5/16  | --- | 2-19/32 | --- |
| C distance across closed cam arms | 3-3/32      | 3-3/32 | 3 1/4   | 3-29/32 | 4-7/32  | 4-19/32 | ---    | 5-27/32 | 6-15/16 | --- | 9-31/32 | --- |
| D distance across open cam arms   | 6-7/32      | 6-7/32 | 6-11/32 | 7-15/32 | 7-25/32 | 8-5/32  | ---    | 9-29/32 | 11      | --- | 11-1/2  | --- |

## EZLink™ Armless Type DC Dust Caps

**Applications:**

- transfer and/or unloading of fuels (gasoline or diesel) from tank truck to storage tanks
- transfer of water and solutions compatible with aluminum and Buna-N rubber

**Materials:**

- couplings and dust caps: A356 aluminum
- coupler tabs and springs: 316 stainless steel
- gasket: Buna-N

**Features:**

- automatic couplers push-to-connect providing a reliable connection
- low profile allows easy connection and disconnection in tight applications
- coupler push tabs can be locked with safety pins and/or zip tie
- compatible with standard cam and groove adapters

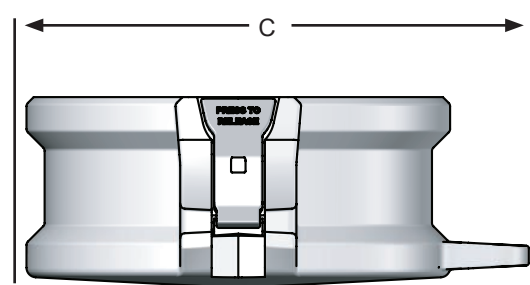
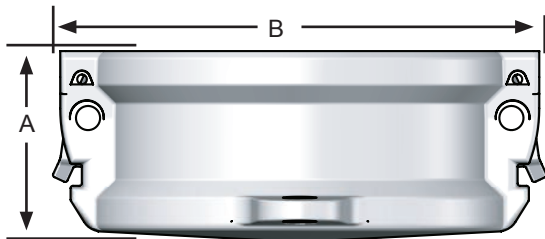


**Specifications:**

- maximum working pressure with King Crimp™ ferrules: **250 PSI** (2"), **150 PSI** (3" and 4")
- maximum working pressure with crimp sleeves: **110 PSI**
- maximum working pressure with band clamps: **100 PSI**
- gasket temperature range: **5°F to 180°F (-15°C to 82°C)**

Only use EZLink™ gaskets for this coupling system. Traditional cam & groove gaskets, or other types of seals are not compatible and will fail. 

| Size | A356 Aluminum<br>Part # | 316 Stainless Steel<br>Part # |
|------|-------------------------|-------------------------------|
| 2"   | <b>EZL200-DC-AL</b>     | <b>EZL200-DC-SS</b>           |
| 3"   | <b>EZL300-DC-AL</b>     | <b>EZL300-DC-SS</b>           |
| 4"   | <b>EZL400-DC-AL</b>     | ---                           |



**A356 aluminum dimensions**


| Size                        | 2"      | 3"     | 4"      |
|-----------------------------|---------|--------|---------|
| A overall length            | 2-3/16  | 2-5/16 | 2-5/16  |
| B distance across EARS      | 3-21/32 | 5-3/32 | 6-3/16  |
| C coupler OD with chain lug | 3 5/8   | 5 1/8  | 6-15/32 |

**316 stainless steel dimensions**

| Size                        | 2"      |
|-----------------------------|---------|
| A overall length            | 2-3/16  |
| B distance across EARS      | 3-21/32 |
| C coupler OD with chain lug | 3-19/32 |

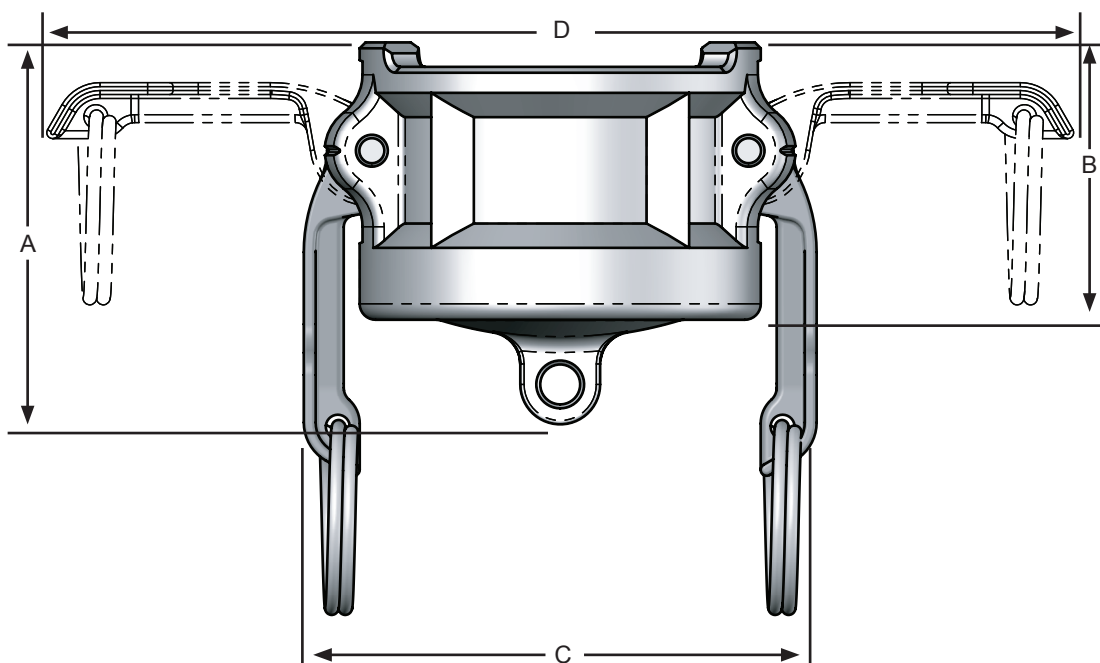
## Vent-Lock™ Type DC Dust Caps

**Features:**

- safety release cam & groove couplings permit the release of static pressure when disconnecting hose assemblies
- venting system protects operator from being sprayed with hazardous or non-hazardous fluids or solids
- rated to **250 PSI**, recommendation based on the use of mating Dixon® L-style fittings at ambient temperature **70°F (21°C)** with standard Buna-N seal installed, for use at elevated temperature or other unusual operating conditions, consult Dixon®
  - 1", 1½" and 2" sizes have a maximum working pressure of **250 PSI**
  - 3" maximum working pressure **150 PSI** with King Crimp™ ferrules, crimp sleeves and bands at **125 PSI**
- does not interchange with standard cam & groove products use only with Vent-Lock™ 



| Size | 316 Stainless Steel Part # |
|------|----------------------------|
| 1"   | <b>L100-DC-SS</b>          |
| 1½"  | <b>L150-DC-SS</b>          |
| 2"   | <b>L200-DC-SS</b>          |



**316 Stainless Steel**

| Size                              | 2"      | 3"      | 4"      |
|-----------------------------------|---------|---------|---------|
| A overall length                  | 2-5/32  | 2¾      | 2-31/32 |
| B coupler length                  | 1-19/32 | 1-29/32 | 2-5/32  |
| C distance across closed cam arms | 2-7/16  | 3-9/16  | 3-15/16 |
| D distance across open cam arms   | 5-3/16  | 7-7/16  | 7-13/16 |

## Dixon® Type DC Dust Caps

**Features:**

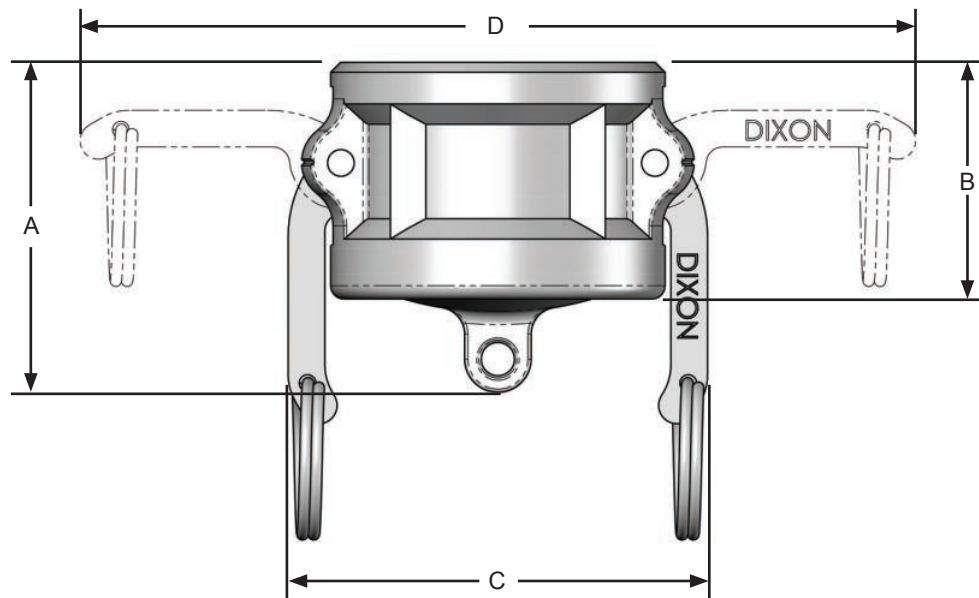
- Finger rings are not supplied on ½" - 1" Dixon® couplings.
- ½" Dixon® has only one cam arm.
- Couplers are supplied standard with a Buna-N gasket. Other gasket types are available on pages 65-67.



| Size | 356T6 Aluminum Part #  | Aluminum Hard Coat Part # | Brass Part # | Unplated Malleable Iron Part # | 316 Stainless Steel Part # |
|------|------------------------|---------------------------|--------------|--------------------------------|----------------------------|
| ½"   | 50-DC-AL               | ---                       | 50-DC-BR     | ---                            | 50-DC-SS                   |
| ¾"   | 75-DC-AL               | ---                       | 75-DC-BR     | ---                            | 75-DC-SS                   |
| 1"   | 100-DC-AL              | ---                       | 100-DC-BR    | ---                            | 100-DC-SS                  |
| 1½"  | 150-DC-AL              | 150-DC-ALH                | 150-DC-BR    | ---                            | 150-DC-SS                  |
| 2"   | 200-DC-AL              | 200-DC-ALH                | 200-DC-BR    | 200-DC-MI                      | 200-DC-SS                  |
| 2½"  | 250-DC-AL              | ---                       | ---          | ---                            | 250-DC-SS                  |
| 3"   | 300-DC-AL              | 300-DC-ALH                | 300-DC-BR    | 300-DC-MI                      | 300-DC-SS                  |
| 4"   | 400-DC-AL              | 400-DC-ALH                | 400-DC-BR    | 400-DC-MI                      | 400-DC-SS                  |
| 5"   | 500-DC-AL              | ---                       | 500-DC-BR    | ---                            | 500-DC-SS                  |
| 6"   | 600-DC-AL              | 600-DC-ALH                | ---          | ---                            | 600-DC-SS                  |
| 8"   | 800-DC-AL <sup>1</sup> | ---                       | ---          | ---                            | ---                        |

<sup>1</sup> Dixon® and Boss-Lock™ cam and groove couplings do not interchange in the 8" and ½" sizes.

The 8" Dixon dust cap has 2 cam arms.



### 356T6 aluminum, brass and iron dimensions

| Size                            | ½"      | ¾"      | 1"      | 1½"     | 2"      | 2½"     | 3"      | 4"      | 5"      | 6"      | 8"       |
|---------------------------------|---------|---------|---------|---------|---------|---------|---------|---------|---------|---------|----------|
| A overall length                | 1-25/32 | 2-1/32  | 2-11/32 | 2-11/16 | 3       | 2¾      | 3⅛      | 3-21/32 | 3½      | 3-3/16  | 5-7/16   |
| B coupler length                | 1-7/32  | 1-11/32 | 1-21/32 | 1-13/16 | 2-7/32  | 2-3/16  | 2¼      | 2-5/16  | 2-5/16  | 2⅝      | 3-13/16  |
| C distance across safety lugs   | 1-17/32 | 2⅝      | 2-7/16  | 3-9/16  | 3-15/16 | 4-7/16  | 5-15/32 | 6-9/16  | 7-9/16  | 10-3/32 | 12-1/32  |
| D distance across open cam arms | 2-11/16 | 4⅝      | 5-3/16  | 7-7/16  | 7-13/16 | 8-11/32 | 10-3/32 | 11-3/16 | 12-3/16 | 16¼     | 19-31/32 |


### 316 stainless steel dimensions

| Size                              | ½"      | ¾" | 1"     | 1½"     | 2"      | 2½"    | 3"      | 4"      | 5"     | 6"      | 8"  |
|-----------------------------------|---------|----|--------|---------|---------|--------|---------|---------|--------|---------|-----|
| A overall length                  | 1-23/32 | 1¼ | 2-3/16 | 2-13/16 | 3-3/32  | 3-1/16 | 3⅝      | 3-17/32 | 3⅝     | 3¾      | --- |
| B coupler length                  | 1-7/32  | 1¼ | 1-9/16 | 1-29/32 | 2-7/32  | 2¼     | 2-9/32  | 2-9/32  | 2-7/16 | 2-19/32 | --- |
| C distance across closed cam arms | 1-17/32 | 2⅝ | 2-7/16 | 3-9/16  | 3-15/16 | 4-7/16 | 5-15/32 | 6-9/16  | 7-9/16 | 10-3/32 | --- |



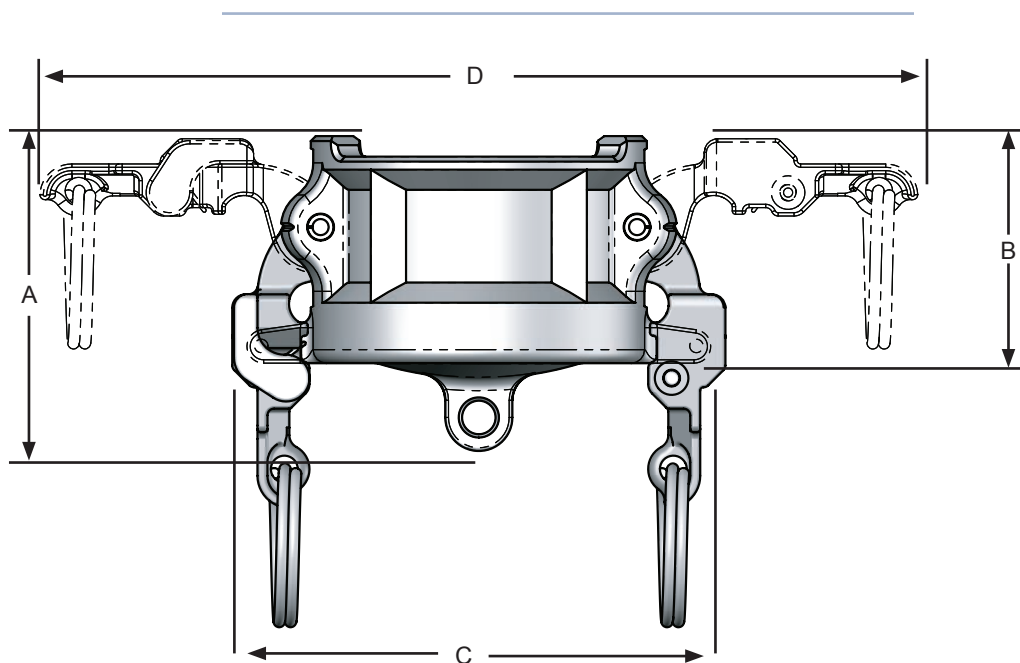
## Vent-Lock™ EZ Boss-Lock™ Type H Dust Caps

**Features:**

- safety release cam & groove couplings permit the release of static pressure when disconnecting hose assemblies
- venting system protects operator from being sprayed with hazardous or non-hazardous fluids or solids
- rated to **250 PSI**, recommendation based on the use of mating Dixon® L-style fittings at ambient temperature **70°F (21°C)** with standard Buna-N seal installed, for use at elevated temperature or other unusual operating conditions, consult Dixon®
  - 1", 1½" and 2" sizes have a maximum working pressure of **250 PSI**
  - 3" maximum working pressure **150 PSI** with King Crimp™ ferrules, crimp sleeves and bands at **125 PSI**
- does not interchange with standard cam & groove products use only with Vent-Lock™ L-style fittings 



| Size | 316 Stainless Steel<br>Part # |
|------|-------------------------------|
| 1"   | <b>RLH100EZ</b>               |
| 1½"  | <b>RLH150EZ</b>               |
| 2"   | <b>RLH200EZ</b>               |
| 3"   | <b>RLH300EZ</b>               |



**316 stainless steel dimensions**

| Size                              | 1"      | 1½"     | 2"      | 3"      |
|-----------------------------------|---------|---------|---------|---------|
| A overall length                  | 2-5/32  | 2-29/32 | 2-15/16 | 3 1/8   |
| B coupler length                  | 1-17/32 | 2-3/32  | 2 1/4   | 2 1/4   |
| C distance across closed cam arms | 3 1/4   | 4-7/32  | 4-19/32 | 5-27/32 |
| D distance across open cam arms   | 6-11/32 | 7-25/32 | 8-5/32  | 9-29/32 |

## Boss-Lock™ Type H Dust Caps

**Features:**

- All Boss-Lock™ couplers are supplied with safety clips.
- Couplers are supplied standard with a Buna-N gasket. Other gasket types are available on pages 65-67.

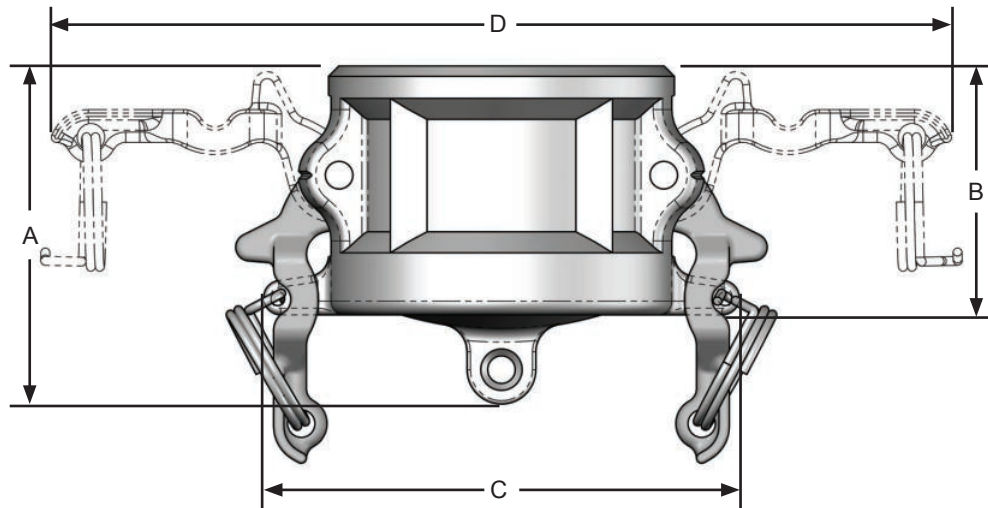


| Size | 356T6 Aluminum Part #     | Brass Part # | Plated Malleable Iron Part # | 316 Stainless Steel Part # |
|------|---------------------------|--------------|------------------------------|----------------------------|
| ¾"   | ---                       | ---          | ---                          | <b>RH075BL</b>             |
| 1"   | <b>AH100</b>              | <b>BH100</b> | ---                          | <b>RH100BL</b>             |
| 1¼"  | <b>AH125</b>              | <b>BH125</b> | ---                          | <b>RH125BL</b>             |
| 1½"  | <b>AH150</b>              | <b>BH150</b> | <b>IH150</b>                 | <b>RH150BL</b>             |
| 2"   | <b>AH200</b>              | <b>BH200</b> | <b>IH200</b>                 | <b>RH200BL</b>             |
| 2½"  | <b>AH250</b>              | <b>BH250</b> | ---                          | ---                        |
| 3"   | <b>AH300</b>              | <b>BH300</b> | <b>IH300</b>                 | <b>RH300BL</b>             |
| 4"   | <b>AH400</b>              | <b>BH400</b> | <b>IH400</b>                 | <b>RH400BL</b>             |
| 6"   | <b>AH600</b>              | <b>BH600</b> | <b>IH600</b>                 | ---                        |
| 8"   | <b>AH800</b> <sup>1</sup> | ---          | ---                          | ---                        |



<sup>1</sup> Dixon® and Boss-Lock™ cam and groove couplings *do not interchange in the 8" and ½" sizes.*

The 8" Boss-Lock™ design has 2 cam arms.



### 356T6 aluminum, brass and iron dimensions

| Size                            | ¾"  | 1"      | 1¼"     | 1½"     | 2"     | 2½"     | 3"      | 4"      | 5"  | 6"      | 8"      |
|---------------------------------|-----|---------|---------|---------|--------|---------|---------|---------|-----|---------|---------|
| A overall length                | --- | 2-3/16  | 2¼      | 2-15/16 | 3-1/16 | 3-7/32  | 3⅜      | 3-11/32 | --- | 3-29/32 | 4-9/16  |
| B coupler length                | --- | 1-17/32 | 1-29/32 | 1-29/32 | 2-3/16 | 2¼      | 2-5/16  | 2-5/16  | --- | 2⅝      | 2-13/16 |
| C distance across safety lugs   | --- | 2-29/32 | 3⅝      | 3-29/32 | 4-5/16 | 4-13/16 | 5-9/16  | 6-11/16 | --- | 9⅞      | 11⅞     |
| D distance across open cam arms | --- | 5-9/16  | 7-15/32 | 7-25/32 | 8-5/32 | 8-21/32 | 9-29/32 | 11      | --- | 16-5/32 | 18-5/32 |

### 316 stainless steel dimensions

| Size                          | ¾"      | 1"      | 1¼"     | 1½"     | 2"     | 2½" | 3"     | 4"      | 5"  | 6"  | 8"  |
|-------------------------------|---------|---------|---------|---------|--------|-----|--------|---------|-----|-----|-----|
| A overall length              | 1-15/16 | 2¼      | 2¼      | 2-13/16 | 3-1/16 | --- | 3⅜     | 3-19/32 | --- | --- | --- |
| B coupler length              | 1-9/32  | 1-9/16  | 1-29/32 | 1-29/32 | 2¼     | --- | 2-9/32 | 2-5/16  | --- | --- | --- |
| C distance across safety lugs | 2-25/32 | 2-29/32 | 3⅝      | 3-29/32 | 4-5/16 | --- | 5-9/16 | 6-11/16 | --- | --- | --- |

## EZ Boss-Lock™ Type H Dust Caps

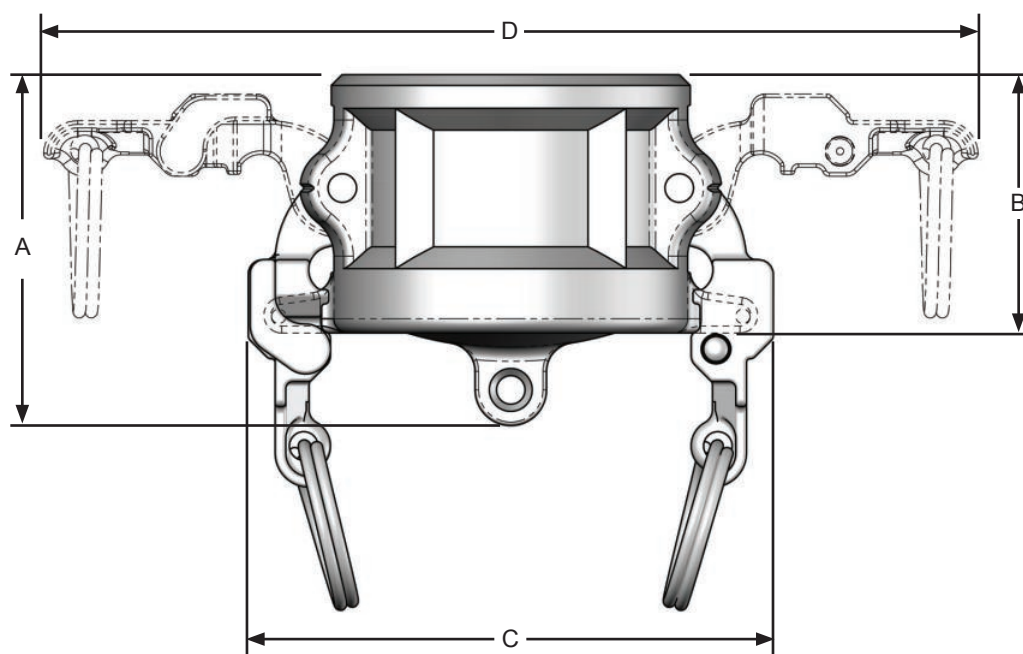
**Feature:**

- Couplers are supplied standard with a Buna-N gasket. Other gasket types are available on pages 65-67.

| Size | 356T6 Aluminum<br>Part # | Brass<br>Part # | 316<br>Stainless Steel<br>Part # |
|------|--------------------------|-----------------|----------------------------------|
| ¾"   | ---                      | ---             | <b>RH075EZ</b>                   |
| 1"   | <b>AH100EZ</b>           | <b>BH100EZ</b>  | <b>RH100EZ</b>                   |
| 1¼"  | ---                      | ---             | <b>RH125EZ</b>                   |
| 1½"  | <b>AH150EZ</b>           | <b>BH150EZ</b>  | <b>RH150EZ</b>                   |
| 2"   | <b>AH200EZ</b>           | <b>BH200EZ</b>  | <b>RH200EZ</b>                   |
| 2½"  | <b>AH250EZ</b>           | ---             | ---                              |
| 3"   | <b>AH300EZ</b>           | <b>BH300EZ</b>  | <b>RH300EZ</b>                   |
| 4"   | <b>AH400EZ</b>           | ---             | <b>RH400EZ</b>                   |
| 6"   | <b>AH600EZ</b>           | ---             | <b>RH600EZ</b>                   |



- Under no circumstances should the EZ Boss-Lock™ cam arms be used on any fitting not specifically designed for their use. See page 6 for further specifications.
- Dust caps and dust plugs are not to be used in pressure applications for safety and environmental reasons.



**356T6 aluminum, brass and iron dimensions**

| Size                              | ¾"  | 1"      | 1¼" | 1½"     | 2"      | 2½"     | 3"      | 4"      | 5"  | 6"       | 8"  |
|-----------------------------------|-----|---------|-----|---------|---------|---------|---------|---------|-----|----------|-----|
| A overall length                  | --- | 2-3/16  | --- | 2-15/16 | 3-1/16  | 3-7/32  | 3⅜      | 3-11/32 | --- | 3-29/32  | --- |
| B coupler length                  | --- | 1-17/32 | --- | 1-29/32 | 2-3/16  | 2¼      | 2-5/16  | 2-5/16  | --- | 2⅝       | --- |
| C distance across closed cam arms | --- | 3-7/32  | --- | 4-7/32  | 4-19/32 | 5-1/16  | 5-27/32 | 6-15/16 | --- | 9-31/32  | --- |
| D distance across open cam arms   | --- | 6-11/32 | --- | 7-25/32 | 8-5/32  | 8-21/32 | 9-29/32 | 11      | --- | 16-25/32 | --- |

**316 stainless steel dimensions**

| Size                              | ¾"      | 1"     | 1¼"     | 1½"     | 2"      | 2½" | 3"      | 4"      | 5"  | 6"      | 8"  |
|-----------------------------------|---------|--------|---------|---------|---------|-----|---------|---------|-----|---------|-----|
| A overall length                  | 1-15/16 | 2¼     | 2¾      | 2-13/16 | 3-1/16  | --- | 3⅜      | 3-19/32 | --- | 3¾      | --- |
| B coupler length                  | 1-9/32  | 1-9/16 | 1-29/32 | 1-29/32 | 2¼      | --- | 2-9/32  | 2-5/16  | --- | 2-19/32 | --- |
| C distance across closed cam arms | 3-3/32  | 3¼     | 3-29/32 | 4-7/32  | 4-19/32 | --- | 5-27/32 | 6-15/16 | --- | 9-31/32 | --- |

## Global Cam and Groove

## Features:

- interchange with all products produced to A-A-59326D
- made to Dixon® specifications and branded Dixon®
- Buna seals are standard
- pressure rating for adapters is based on the seal of the mating part



- Dust caps and dust plugs are not to be used in pressure applications for safety and environmental reasons



## Global Type A Adapter x Female NPT

| Size | A380 Permanent Mold AL<br>Part # | ASTMC38000 Forged Brass<br>Part # | 316 Investment Cast SS<br>Part # |
|------|----------------------------------|-----------------------------------|----------------------------------|
| ½"   | G50-A-AL <sup>1</sup>            | G50-A-BR <sup>1</sup>             | G50-A-SS                         |
| ¾"   | G75-A-AL                         | G75-A-BR                          | G75-A-SS                         |
| 1"   | G100-A-AL                        | G100-A-BR                         | G100-A-SS                        |
| 1¼"  | G125-A-AL                        | G125-A-BR                         | G125-A-SS                        |
| 1½"  | G150-A-AL                        | G150-A-BR                         | G150-A-SS                        |
| 2"   | G200-A-AL                        | G200-A-BR                         | G200-A-SS                        |
| 2½"  | G250-A-AL                        | G250-A-BR                         | G250-A-SS                        |
| 3"   | G300-A-AL                        | G300-A-BR                         | G300-A-SS                        |
| 4"   | G400-A-AL                        | G400-A-BR                         | G400-A-SS                        |
| 5"   | G500-A-AL <sup>1</sup>           | G500-A-BR <sup>1</sup>            | ---                              |
| 6"   | G600-A-AL                        | ---                               | G600-A-SS                        |
| 8"   | G800-A-AL <sup>1</sup>           | ---                               | ---                              |

<sup>1</sup> does not interchange in the ½", 5", and 8" sizes with Dixon® or Boss-Lock™ style cam and groove

## Global Type E Adapter x Hose Shank



| Size | A380 Permanent Mold AL<br>Part # | ASTMC38000 Forged Brass<br>Part # | 316 Investment Cast SS<br>Part # |
|------|----------------------------------|-----------------------------------|----------------------------------|
| ½"   | G50-E-AL <sup>1</sup>            | G50-E-BR <sup>1</sup>             | G50-E-SS                         |
| ¾"   | G75-E-AL                         | G75-E-BR                          | G75-E-SS                         |
| 1"   | G100-E-AL                        | G100-E-BR                         | G100-E-SS                        |
| 1¼"  | G125-E-AL                        | G125-E-BR                         | G125-E-SS                        |
| 1½"  | G150-E-AL                        | G150-E-BR                         | G150-E-SS                        |
| 2"   | G200-E-AL                        | G200-E-BR                         | G200-E-SS                        |
| 2½"  | G250-E-AL                        | G250-E-BR                         | G250-E-SS                        |
| 3"   | G300-E-AL                        | G300-E-BR                         | G300-E-SS                        |
| 4"   | G400-E-AL                        | G400-E-BR                         | G400-E-SS                        |
| 5"   | G500-E-AL <sup>1</sup>           | G500-E-BR <sup>1</sup>            | ---                              |
| 6"   | G600-E-AL                        | ---                               | G600-E-SS                        |
| 8"   | G800-E-AL <sup>1</sup>           | ---                               | ---                              |

<sup>1</sup> does not interchange in the ½", 5", and 8" sizes with Dixon® or Boss-Lock™ style cam and groove

## Global Type F Adapter x Male NPT



| Size | A380 Permanent Mold AL<br>Part # | ASTMC38000 Forged Brass<br>Part # | 316 Investment Cast SS<br>Part # |
|------|----------------------------------|-----------------------------------|----------------------------------|
| ½"   | G50-F-AL <sup>1</sup>            | G50-F-BR <sup>1</sup>             | G50-F-SS                         |
| ¾"   | G75-F-AL                         | G75-F-BR                          | G75-F-SS                         |
| 1"   | G100-F-AL                        | G100-F-BR                         | G100-F-SS                        |
| 1¼"  | G125-F-AL                        | G125-F-BR                         | G125-F-SS                        |
| 1½"  | G150-F-AL                        | G150-F-BR                         | G150-F-SS                        |
| 2"   | G200-F-AL                        | G200-F-BR                         | G200-F-SS                        |
| 2½"  | G250-F-AL                        | G250-F-BR                         | G250-F-SS                        |
| 3"   | G300-F-AL                        | G300-F-BR                         | G300-F-SS                        |
| 4"   | G400-F-AL                        | G400-F-BR                         | G400-F-SS                        |
| 5"   | G500-F-AL <sup>1</sup>           | G500-F-BR <sup>1</sup>            | ---                              |
| 6"   | G600-F-AL                        | ---                               | G600-F-SS                        |

<sup>1</sup> does not interchange in the ½" and 5" sizes with Dixon® or Boss-Lock™ style cam and groove

## Global Type DP Dust Plugs

| Size | A380 Permanent Mold AL<br>Part # | ASTMC38000 Forged Brass<br>Part # | 316 Investment Cast SS<br>Part # |
|------|----------------------------------|-----------------------------------|----------------------------------|
| ½"   | <b>G50-DP-AL</b> <sup>1</sup>    | <b>G50-DP-BR</b> <sup>1</sup>     | <b>G50-DP-SS</b>                 |
| ¾"   | <b>G75-DP-AL</b>                 | <b>G75-DP-BR</b>                  | <b>G75-DP-SS</b>                 |
| 1"   | <b>G100-DP-AL</b>                | <b>G100-DP-BR</b>                 | <b>G100-DP-SS</b>                |
| 1¼"  | <b>G125-DP-AL</b>                | <b>G125-DP-BR</b>                 | <b>G125-DP-SS</b>                |
| 1½"  | <b>G150-DP-AL</b>                | <b>G150-DP-BR</b>                 | <b>G150-DP-SS</b>                |
| 2"   | <b>G200-DP-AL</b>                | <b>G200-DP-BR</b>                 | <b>G200-DP-SS</b>                |
| 2½"  | <b>G250-DP-AL</b>                | <b>G250-DP-BR</b>                 | <b>G250-DP-SS</b>                |
| 3"   | <b>G300-DP-AL</b>                | <b>G300-DP-BR</b>                 | <b>G300-DP-SS</b>                |
| 4"   | <b>G400-DP-AL</b>                | <b>G400-DP-BR</b>                 | <b>G400-DP-SS</b>                |
| 5"   | <b>G500-DP-AL</b> <sup>1</sup>   | <b>G500-DP-BR</b> <sup>1</sup>    | ---                              |
| 6"   | <b>G600-DP-AL</b>                | ---                               | <b>G600-DP-SS</b>                |



<sup>1</sup> does not interchange in the ½" and 5" sizes with Dixon® or Boss-Lock™ style cam and groove

## Global Type B Coupler x Male NPT

| Size | A380 Permanent Mold AL with Brass Handles<br>Part # | ASTMC38000 Forged Brass<br>Part # | 316 Investment Cast Stainless Steel<br>Part # | A380 Permanent Mold AL with SS Handles<br>Part # |
|------|---|-----------------------------------|---|--|
| ½"   | <b>G50-B-AL</b> <sup>1,2</sup>                      | <b>G50-B-BR</b> <sup>1</sup>      | <b>G50-B-SS</b>                               | ---  |
| ¾"   | <b>G75-B-AL</b> <sup>2</sup>                        | <b>G75-B-BR</b>                   | <b>G75-B-SS</b>                               | ---  |
| 1"   | <b>G100-B-AL</b>                                    | <b>G100-B-BR</b>                  | <b>G100-B-SS</b>                              | ---  |
| 1¼"  | <b>G125-B-AL</b>                                    | <b>G125-B-BR</b>                  | <b>G125-B-SS</b>                              | ---  |
| 1½"  | <b>G150-B-AL</b>                                    | <b>G150-B-BR</b>                  | <b>G150-B-SS</b>                              | <b>G150-B-ALSI</b>                               |
| 2"   | <b>G200-B-AL</b>                                    | <b>G200-B-BR</b>                  | <b>G200-B-SS</b>                              | <b>G200-B-ALSI</b>                               |
| 2½"  | <b>G250-B-AL</b>                                    | <b>G250-B-BR</b>                  | <b>G250-B-SS</b>                              | ---  |
| 3"   | <b>G300-B-AL</b>                                    | <b>G300-B-BR</b>                  | <b>G300-B-SS</b>                              | <b>G300-B-ALSI</b>                               |
| 4"   | <b>G400-B-AL</b>                                    | <b>G400-B-BR</b>                  | <b>G400-B-SS</b>                              | <b>G400-B-ALSI</b>                               |
| 5"   | <b>G500-B-AL</b> <sup>1</sup>                       | <b>G500-B-BR</b> <sup>1</sup>     | ---   | ---  |
| 6"   | <b>G600-B-AL</b>                                    | ---                               | <b>G600-B-SS</b>                              | ---  |



<sup>1</sup> does not interchange in the ½" and 5" sizes with Dixon® or Boss-Lock™ style cam and groove

<sup>2</sup> supplied with stainless steel handles

## Global Type C Coupler x Hose Shank

| Size | A380 Permanent Mold AL with Brass Handles<br>Part # | ASTMC38000 Forged Brass<br>Part # | 316 Investment Cast Stainless Steel<br>Part # | A380 Permanent Mold AL with SS Handles<br>Part # |
|------|---|-----------------------------------|---|--|
| ½"   | <b>G50-C-AL</b> <sup>1,2</sup>                      | <b>G50-C-BR</b> <sup>1</sup>      | <b>G50-C-SS</b>                               | ---  |
| ¾"   | <b>G75-C-AL</b> <sup>2</sup>                        | <b>G75-C-BR</b>                   | <b>G75-C-SS</b>                               | ---  |
| 1"   | <b>G100-C-AL</b>                                    | <b>G100-C-BR</b>                  | <b>G100-C-SS</b>                              | ---  |
| 1¼"  | <b>G125-C-AL</b>                                    | <b>G125-C-BR</b>                  | <b>G125-C-SS</b>                              | ---  |
| 1½"  | <b>G150-C-AL</b>                                    | <b>G150-C-BR</b>                  | <b>G150-C-SS</b>                              | <b>G150-C-ALSI</b>                               |
| 2"   | <b>G200-C-AL</b>                                    | <b>G200-C-BR</b>                  | <b>G200-C-SS</b>                              | <b>G200-C-ALSI</b>                               |
| 2½"  | <b>G250-C-AL</b>                                    | <b>G250-C-BR</b>                  | <b>G250-C-SS</b>                              | ---  |
| 3"   | <b>G300-C-AL</b>                                    | <b>G300-C-BR</b>                  | <b>G300-C-SS</b>                              | <b>G300-C-ALSI</b>                               |
| 4"   | <b>G400-C-AL</b>                                    | <b>G400-C-BR</b>                  | <b>G400-C-SS</b>                              | <b>G400-C-ALSI</b>                               |
| 5"   | <b>G500-C-AL</b> <sup>1</sup>                       | <b>G500-C-BR</b> <sup>1</sup>     | ---   | ---  |
| 6"   | <b>G600-C-AL</b>                                    | ---                               | <b>G600-C-SS</b>                              | ---  |
| 8"   | <b>G800-C-AL</b> <sup>1</sup>                       | ---                               | ---   | ---  |



<sup>1</sup> does not interchange in the ½", 5", and 8" sizes with Dixon® or Boss-Lock™ style cam and groove

<sup>2</sup> supplied with stainless steel handles

## Global Type D Coupler x Female NPT



| Size   | A380 Permanent Mold AL with Brass Handles Part # | ASTMC38000 Forged Brass Part # | 316 Investment Cast SS Part # | A380 Permanent Mold AL with SS Handles Part # |
|--------|--|--------------------------------|-------------------------------|---|
| 1/2"   | <b>G50-D-AL</b> <sup>1,2</sup>                   | <b>G50-D-BR</b> <sup>1</sup>   | <b>G50-D-SS</b>               | ---   |
| 3/4"   | <b>G75-D-AL</b> <sup>2</sup>                     | <b>G75-D-BR</b>                | <b>G75-D-SS</b>               | ---   |
| 1"     | <b>G100-D-AL</b>                                 | <b>G100-D-BR</b>               | <b>G100-D-SS</b>              | ---   |
| 1 1/4" | <b>G125-D-AL</b>                                 | <b>G125-D-BR</b>               | <b>G125-D-SS</b>              | ---   |
| 1 1/2" | <b>G150-D-AL</b>                                 | <b>G150-D-BR</b>               | <b>G150-D-SS</b>              | <b>G150-D-ALSI</b>                            |
| 2"     | <b>G200-D-AL</b>                                 | <b>G200-D-BR</b>               | <b>G200-D-SS</b>              | <b>G200-D-ALSI</b>                            |
| 2 1/2" | <b>G250-D-AL</b>                                 | <b>G250-D-BR</b>               | <b>G250-D-SS</b>              | ---   |
| 3"     | <b>G300-D-AL</b>                                 | <b>G300-D-BR</b>               | <b>G300-D-SS</b>              | <b>G300-D-ALSI</b>                            |
| 4"     | <b>G400-D-AL</b>                                 | <b>G400-D-BR</b>               | <b>G400-D-SS</b>              | <b>G400-D-ALSI</b>                            |
| 5"     | <b>G500-D-AL</b> <sup>1</sup>                    | <b>G500-D-BR</b> <sup>1</sup>  | ---                           | ---   |
| 6"     | <b>G600-D-AL</b>                                 | ---                            | <b>G600-D-SS</b>              | ---   |

<sup>1</sup> does not interchange in the 1/2" and 5" sizes with Dixon® or Boss-Lock™ style cam and groove  
<sup>2</sup> stainless steel handles

## Global Type DC Dust Caps



| Size   | A380 Permanent Mold AL with Brass Handles Part # | ASTMC38000 Forged Brass Part # | 316 Investment Cast SS Part # | A380 Permanent Mold AL with SS Handles Part # |
|--------|--|--------------------------------|-------------------------------|---|
| 1/2"   | <b>G50-DC-AL</b> <sup>1,2</sup>                  | <b>G50-DC-BR</b> <sup>1</sup>  | <b>G50-DC-SS</b>              | ---   |
| 3/4"   | <b>G75-DC-AL</b> <sup>2</sup>                    | <b>G75-DC-BR</b>               | <b>G75-DC-SS</b>              | ---   |
| 1"     | <b>G100-DC-AL</b>                                | <b>G100-DC-BR</b>              | <b>G100-DC-SS</b>             | ---   |
| 1 1/4" | <b>G125-DC-AL</b>                                | <b>G125-DC-BR</b>              | <b>G125-DC-SS</b>             | ---   |
| 1 1/2" | <b>G150-DC-AL</b>                                | <b>G150-DC-BR</b>              | <b>G150-DC-SS</b>             | <b>G150-DC-ALSI</b>                           |
| 2"     | <b>G200-DC-AL</b>                                | <b>G200-DC-BR</b>              | <b>G200-DC-SS</b>             | <b>G200-DC-ALSI</b>                           |
| 2 1/2" | <b>G250-DC-AL</b>                                | <b>G250-DC-BR</b>              | <b>G250-DC-SS</b>             | ---   |
| 3"     | <b>G300-DC-AL</b>                                | <b>G300-DC-BR</b>              | <b>G300-DC-SS</b>             | <b>G300-DC-ALSI</b>                           |
| 4"     | <b>G400-DC-AL</b>                                | <b>G400-DC-BR</b>              | <b>G400-DC-SS</b>             | <b>G400-DC-ALSI</b>                           |
| 5"     | <b>G500-DC-AL</b> <sup>1</sup>                   | <b>G500-DC-BR</b> <sup>1</sup> | ---                           | ---   |
| 6"     | <b>G600-DC-AL</b>                                | ---                            | <b>G600-DC-SS</b>             | ---   |

<sup>1</sup> does not interchange in the 1/2" and 5" sizes with Dixon® or Boss-Lock™ style cam and groove  
<sup>2</sup> stainless steel handles

## Replacement Handle Assemblies for Global Couplers

### For Aluminum and Brass Global Couplers

**Features:**

- supplied complete with ring and pin
- only to be used on Dixon® global aluminum or brass couplers



| Fits on sizes | Investment Stainless Part # |
|---------------|-----------------------------|
| 1/2" - 3/4"   | <b>G75HRP</b>               |
| 1"            | <b>G100HRP</b>              |
| 1 1/2" and 2" | <b>G152HRPSI</b>            |
| 3" and 4"     | <b>G34HRPSI</b>             |
| 6"            | <b>G600HRPSI</b>            |

| Fits on sizes   | Forged Brass Part # |
|-----------------|---------------------|
| 1 1/4" - 2 1/2" | <b>G152HRP</b>      |
| 3" and 4"       | <b>G34HRP</b>       |
| 6" and 8"       | <b>G600HRP</b>      |

### For Stainless Steel Global Couplers

**Feature:**

- only to be used on Dixon® global stainless steel couplers



| Fits on sizes   | Investment Stainless Part # |
|-----------------|-----------------------------|
| 3/4"            | <b>G75HRPSS</b>             |
| 1"              | <b>G100HRPSS</b>            |
| 1 1/4" - 2 1/2" | <b>G125250HRPSS</b>         |
| 3" and 4"       | <b>G300400HRPSS</b>         |
| 6"              | <b>G600HRPSS</b>            |

## Safety Clip for Global Couplers



Zinc Plated Carbon Steel  
Part #

## Global Type DD Spool Couplers



| Size | A380 Permanent Mold AL<br>Part # | 316 Investment Cast SS<br>Part # |
|------|----------------------------------|----------------------------------|
| 2"   | <b>G200-DD-AL</b>                | <b>G200-DD-SS</b>                |
| 3"   | <b>G300-DD-AL</b>                | <b>G300-DD-SS</b>                |
| 4"   | <b>G400-DD-AL</b>                | <b>G400-DD-SS</b>                |

## Global Type AA Spool Adapters



| Size | A380 Permanent Mold AL<br>Part # | 316 Investment Cast SS<br>Part # |
|------|----------------------------------|----------------------------------|
| 1"   | <b>G100-AA-AL</b>                | ---                              |
| 1½"  | <b>G150-AA-AL</b>                | <b>G150-AA-SS</b>                |
| 2"   | <b>G200-AA-AL</b>                | <b>G200-AA-SS</b>                |
| 3"   | <b>G300-AA-AL</b>                | <b>G300-AA-SS</b>                |
| 4"   | <b>G400-AA-AL</b>                | <b>G400-AA-SS</b>                |

### jump size male spool adapter

| Size     | A380 Permanent Mold Aluminum<br>Part # | 316 Investment Cast SS<br>Part # |
|----------|--|----------------------------------|
| 1½" x 2" | <b>G1520-AA-AL</b>                     | ---                              |
| 2" x 3"  | <b>G2030-AA-AL</b>                     | <b>G2030-AA-SS</b>               |
| 3" x 4"  | <b>G3040-AA-AL</b>                     | ---                              |

## Global Jump Size Cam and Groove

### male adapter x female NPT



| Size    | A380 Permanent Mold Aluminum<br>Part # |
|---------|--|
| 3" x 2" | <b>G3020-A-AL</b>                      |
| 4" x 3" | <b>G4030-A-AL</b>                      |

### female coupler x hose shank



| Size    | A380 Permanent Mold Aluminum<br>Part # |
|---------|--|
| 3" x 2" | <b>G3020-C-AL</b>                      |
| 4" x 3" | <b>G4030-C-AL</b>                      |

### female coupler x male adapter



| Size    | A380 Permanent Mold Aluminum<br>Part # | 316 Investment Cast SS<br>Part # |
|---------|--|----------------------------------|
| 3" x 2" | <b>G3020-DA-AL</b>                     | <b>G3020-DA-SS</b>               |
| 3" X 4" | <b>G3040-DA-AL</b>                     | ---                              |
| 4" x 3" | <b>G4030-DA-AL</b>                     | <b>G4030-DA-SS</b>               |
| 5" x 4" | <b>G5040-DA-AL</b>                     | ---                              |
| 6" x 4" | <b>G6040-DA-AL</b>                     | ---                              |

### male adapter x hose shank

| Size    | A380 Permanent Mold Aluminum<br>Part # |
|---------|--|
| 3" x 2" | <b>G3020-E-AL</b>                      |
| 4" x 3" | <b>G4030-E-AL</b>                      |

## Global Adapter x TTMA Flange



**Features:**

- interchange with all products produced to A-A-59326D
- made to Dixon® specifications and branded Dixon®
- Buna seals are standard
- pressure rating for adapters is based on the seal of the mating part


|      |                          |
|------|--------------------------|
| Size | 356T6 Aluminum<br>Part # |
| 4"   | <b>G400-ALT-AL</b>       |

|      |                          |
|------|--------------------------|
| Size | 356T6 Aluminum<br>Part # |
| 4"   | <b>G400-DLT-AL</b>       |

- For flange dimensions, diagrams and additional information please reference [dixonvalve.com](http://dixonvalve.com).



## Polypropylene Adapters

 NOT recommended for use with PTFE gaskets

**Features:**

- manufactured from a glass-filled polypropylene
- maximum operating pressure: **125 PSI** (½" - 1"), **100 PSI** (1¼" - 2"), **60 PSI** (3") and **50 PSI** (4"); recommendations based on the use of mating Dixon® fittings at an ambient temperature of **70°F (21°C)** with standard seal installed
- ½" couplers and adapters will interchange with ¾" couplers and adapters, only the threads and barbs are ½"
- 1¼" couplers and adapters will interchange with 1½" couplers and adapters, only the threads and barbs are 1¼"
- polypropylene cam and groove should not be mixed with metal fittings

| type A    |                      |         |
|-----------|----------------------|---------|
| Size      | Polypropylene Part # | Opt Qty |
| ¾" x ½"   | <b>PPA50</b>         | 25      |
| ¾"        | <b>PPA75</b>         | 25      |
| 1"        | <b>PPA100</b>        | 10      |
| 1½" x 1¼" | <b>PPA125</b>        | 10      |
| 1½"       | <b>PPA150</b>        | 10      |
| 2"        | <b>PPA200</b>        | 10      |
| 3"        | <b>PPA300</b>        | 10      |
| 4"        | <b>PPA400</b>        | 10      |



male adapter x female NPT

| type F    |                      |         |
|-----------|----------------------|---------|
| Size      | Polypropylene Part # | Opt Qty |
| ¾" x ½"   | <b>PPF50</b>         | 10      |
| ¾"        | <b>PPF75</b>         | 10      |
| 1"        | <b>PPF100</b>        | 10      |
| 1½" x 1¼" | <b>PPF125</b>        | 10      |
| 1½"       | <b>PPF150</b>        | 10      |
| 2"        | <b>PPF200</b>        | 10      |
| 3"        | <b>PPF300</b>        | 10      |
| 4"        | <b>PPF400</b>        | 10      |



male adapter x male NPT

| type E    |                      |         |
|-----------|----------------------|---------|
| Size      | Polypropylene Part # | Opt Qty |
| ¾" x ½"   | <b>PPE50</b>         | 10      |
| ¾"        | <b>PPE75</b>         | 10      |
| 1"        | <b>PPE100</b>        | 10      |
| 1½" x 1¼" | <b>PPE125</b>        | 10      |
| 1½"       | <b>PPE150</b>        | 10      |
| 2"        | <b>PPE200</b>        | 10      |
| 3"        | <b>PPE300</b>        | 10      |
| 4"        | <b>PPE400</b>        | 10      |



male adapter x hose shank

| type P <sup>1</sup> |                      |         |
|---------------------|----------------------|---------|
| Size                | Polypropylene Part # | Opt Qty |
| ¾"                  | <b>PPP75</b>         | 25      |
| 1"                  | <b>PPP100</b>        | 10      |
| 1½"                 | <b>PPP150</b>        | 10      |
| 2"                  | <b>PPP200</b>        | 10      |
| 3"                  | <b>PPP300</b>        | 10      |
| 4"                  | <b>PPP400</b>        | 10      |



dust plug <sup>1</sup>




4" plug has a different design

<sup>1</sup> Dust caps and dust plugs are not to be used in pressure applications for safety and environmental reasons.

## Polypropylene Adapter Elbows

**Features:**

- maximum operating pressure: **100 PSI** (1½" - 2"); recommendations based on the use of mating Dixon® fittings at an ambient temperature of **70°F (21°C)** with standard seal installed
- manufactured from a glass-filled polypropylene
- for use at elevated temperatures or other unusual operating conditions, consult Dixon® 

| 90° Elbow x FNPT |                      |         |
|------------------|----------------------|---------|
| Size             | Polypropylene Part # | Opt Qty |
| 1½"              | <b>90PPA150</b>      | 10      |
| 2"               | <b>90PPA200</b>      | 10      |



male adapter x female NPT

| 90° Elbow x MNPT |                      |         |
|------------------|----------------------|---------|
| Size             | Polypropylene Part # | Opt Qty |
| 1½"              | <b>90PPF150</b>      | 10      |
| 2"               | <b>90PPF200</b>      | 10      |



male adapter x male NPT

## Polypropylene Couplers



NOT recommended for use with PTFE gaskets

### Features:

- manufactured from a glass-filled polypropylene
- supplied with EPDM gaskets, 304 stainless steel handles and pins
- polypropylene cam and groove should not be mixed with metal fittings
- maximum operating pressure: **125 PSI** (½" - 1"), **100 PSI** (1¼" - 2"), **60 PSI** (3") and **50 PSI** (4"); recommendations based on the use of mating Dixon® fittings at an ambient temperature of **70°F (21°C)** with standard seal installed
- ½" couplers and adapters will interchange with ¾" couplers and adapters, only the threads and barbs are ½"
- 1¼" couplers and adapters will interchange with 1½" couplers and adapters, only the threads and barbs are 1¼"
- replacements: gasket use EPR on page 64, key rings use **R200SS** on page 62, safety clip use **GSAFETYCLIP** on page 37



female coupler x female NPT

| type D    |                           |         |
|-----------|---------------------------|---------|
| Size      | Polypropylene Part #      | Opt Qty |
| ¾" x ½"   | <b>PPD50</b>              | 10      |
| ¾"        | <b>PPD75</b>              | 10      |
| 1"        | <b>PPD100</b>             | 10      |
| 1½" x 1¼" | <b>PPD125</b>             | 10      |
| 1½"       | <b>PPD150</b>             | 10      |
| 2"        | <b>PPD200</b>             | 10      |
| 3"        | <b>PPD300</b>             | 10      |
| 4"        | <b>PPD400<sup>2</sup></b> | 5       |



female coupler x male NPT

| type B    |                           |         |
|-----------|---------------------------|---------|
| Size      | Polypropylene Part #      | Opt Qty |
| ¾" x ½"   | <b>PPB50</b>              | 10      |
| ¾"        | <b>PPB75</b>              | 10      |
| 1"        | <b>PPB100</b>             | 10      |
| 1½" x 1¼" | <b>PPB125</b>             | 10      |
| 1½"       | <b>PPB150</b>             | 10      |
| 2"        | <b>PPB200</b>             | 10      |
| 3"        | <b>PPB300</b>             | 5       |
| 4"        | <b>PPB400<sup>2</sup></b> | 5       |



female coupler x hose shank

| type C    |                           |         |
|-----------|---------------------------|---------|
| Size      | Polypropylene Part #      | Opt Qty |
| ¾" x ½"   | <b>PPC50</b>              | 10      |
| ¾"        | <b>PPC75</b>              | 10      |
| 1"        | <b>PPC100</b>             | 10      |
| 1½" x 1¼" | <b>PPC125</b>             | 10      |
| 1½"       | <b>PPC150</b>             | 10      |
| 2"        | <b>PPC200</b>             | 10      |
| 3"        | <b>PPC300</b>             | 5       |
| 4"        | <b>PPC400<sup>2</sup></b> | 5       |



dust cap<sup>1</sup>



4" cap has 4 handles

| type H <sup>1</sup> |                           |         |
|---------------------|---------------------------|---------|
| Size                | Polypropylene Part #      | Opt Qty |
| ¾"                  | <b>PPH75</b>              | 10      |
| 1"                  | <b>PPH100</b>             | 10      |
| 1½"                 | <b>PPH150</b>             | 10      |
| 2"                  | <b>PPH200</b>             | 10      |
| 3"                  | <b>PPH300</b>             | 10      |
| 4"                  | <b>PPH400<sup>2</sup></b> | 10      |

<sup>1</sup> Dust caps and dust plugs are not to be used in pressure applications for safety and environmental reasons.

<sup>2</sup> 4" coupler has 4 handles



## Polypropylene Coupler Elbows

### Features:

- manufactured from a glass-filled polypropylene
- supplied with EPDM gaskets, 304 stainless steel handles and pins
- maximum operating pressure: **100 PSI** (1½" - 2"); recommendations based on the use of mating Dixon® fittings at an ambient temperature of **70°F (21°C)** with standard seal installed
- for use at elevated temperatures or other unusual operating conditions, consult Dixon®.



FNPT x 90° Elbow

| Size | Polypropylene Part # | Opt Qty |
|------|----------------------|---------|
| 1½"  | <b>90PPD150</b>      | 10      |
| 2"   | <b>90PPD200</b>      | 10      |



Hose Shank x 90° Elbow

| Size | Polypropylene Part # | Opt Qty |
|------|----------------------|---------|
| 1½"  | <b>90PPC150</b>      | 10      |
| 2"   | <b>90PPC200</b>      | 10      |

## Swaged Cam and Groove

### Applications:

- Developed specifically for chemical transport hoses having Crosslinked Polyethylene (XLPE) or Ultra High Molecular Weight Polyethylene (UHMW) tubes. Swaged Boss-Lock provides you with a permanently attached cam and groove fitting when superior coupling retention is required.

### Features:

- in testing tank transport hoses from a wide variety of manufacturers, the swaged Boss-Lock™ fitting proved itself to be the clear winner in overall performance
- also available on special order for other sizes or hose OD's, consult Dixon® for pricing and availability
- special equipment required for installation*, consult Dixon® for more information

### EZ Boss-Lock™ type C coupler x hose shank with ferrule

| Size | Hose OD  |          | 316 Stainless Steel<br>Part # |
|------|----------|----------|-------------------------------|
|      | from     | to       |                               |
| ¾"   | 1-6/64"  | 1-22/64" | <b>RC075EZ-70</b>             |
| 1"   | 1-29/64" | 1-35/64" | <b>RC100EZ-20</b>             |
| 1"   | 1-36/64" | 1-44/64" | <b>RC100EZ-70</b>             |



### Boss-Lock™ type E adapter a hose shank with ferrule

| Size | Hose OD  |          | 316 Stainless Steel<br>Part # |
|------|----------|----------|-------------------------------|
|      | from     | to       |                               |
| ¾"   | 1-6/64"  | 1-22/64" | <b>RE075-1370</b>             |
| 1"   | 1-29/64" | 1-35/64" | <b>RE100-1620</b>             |
| 1"   | 1-36/64" | 1-44/64" | <b>RE100-1770</b>             |



## Notched Ferrules

| Size | Hose OD  |          | 304 Stainless Steel<br>Part # |
|------|----------|----------|-------------------------------|
|      | from     | to       |                               |
| 1½"  | 1-60/64" | 2-12/64" | <b>GAS2334NO</b>              |
| 1½"  | 2-4/64"  | 2-22/64" | <b>GAS2370NO</b>              |
| 2"   | 2-30/64" | 2-44/64" | <b>GAS2709NO</b>              |
| 2"   | 2-42/64" | 2-54/64" | <b>GAS2885NO</b>              |
| 3"   | 3-30/64" | 3-46/64" | <b>GAS3760NO</b>              |
| 3"   | 3-47/64" | 3-54/64" | <b>GAS3885NO</b>              |
| 4"   | 4-40/64" | 4-47/64" | <b>GAS5010NO</b>              |



Dixon® stems and ferrules are specifically designed to be used together as a coupling system.

Due to differences in dimensions and tolerances for safety reasons, do not use other manufacturer's stems or ferrules with Holedall™ products.

## Notched Cam and Groove

### Features:

- coupling can be removed from a damaged hose by cutting away the ferrule, without necessarily damaging the fitting, *after inspection of the fitting to determine its suitability for reuse*, it can be reinstalled into another hose by using a *new ferrule*
- system allows you to better manage your inventories, you can stock one coupling and two ferrules, and cover the same hose range with less inventory, *you must purchase a fitting and the matching ferrule to create an assembly*
- for use with notched ferrules on previous page



Dixon® stems and ferrules are specifically designed to be used together as a coupling system.

Due to differences in dimensions and tolerances for safety reasons, do not use other manufacturer's stems or ferrules with Dixon® products.

### Couplers

#### EZ Boss-Lock™ type C coupler x notched hose shank

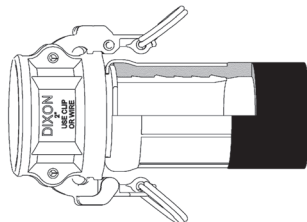


| Size | 316 Stainless Steel<br>Part # |
|------|-------------------------------|
| 1½"  | <b>RC150EZNO</b>              |
| 2"   | <b>RC200EZNO</b>              |
| 3"   | <b>RC300EZNO</b>              |
| 4"   | <b>RC400EZNO</b>              |

#### Boss-Lock™ type C coupler x notched hose shank

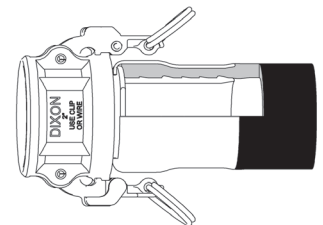


| Size | 316 Stainless Steel<br>Part # |
|------|-------------------------------|
| 1½"  | <b>RC150BLNO</b>              |
| 2"   | <b>RC200BLNO</b>              |
| 3"   | <b>RC300BLNO</b>              |
| 4"   | <b>RC400BLNO</b>              |



crimped assembly

Contact Dixon® for swage and crimp recommendations.



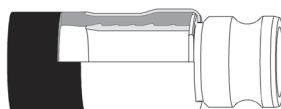
swaged assembly

### Adapters

#### Boss-Lock™ type E adapter x notched hose shank

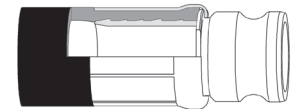


| Size | 316 Stainless Steel<br>Part # |
|------|-------------------------------|
| 1½"  | <b>RE150NO</b>                |
| 2"   | <b>RE200NO</b>                |
| 3"   | <b>RE300NO</b>                |
| 4"   | <b>RE400NO</b>                |



swaged assembly

Contact Dixon® for swage and crimp recommendations.



crimped assembly

## Dixon® Cam and Groove with Notched NOS Shank

**Features:**

- system allows you to better manage your inventories, you can stock one stem and two ferrules, and cover the same hose range with less inventory, *you must purchase a fitting and the matching ferrule to create an assembly*
- for hose outside diameters of 2-4/64" and below, *the couplings are crimp only*
- for hose outside diameters of 2-5/64" and above, the couplings can be crimped or swaged
- for use with notched ferrules at bottom of the page



**Only use the NOS shank with the NOS ferrules.**

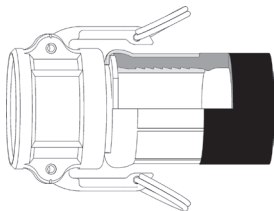
Due to differences in dimensions and tolerances for safety reasons, do not use other manufacturer's stems or ferrules with Dixon® products.

### Couplers

#### Dixon® type C coupler x notched NOS hose shank

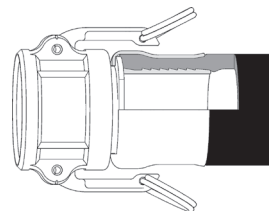
| Size | 316 Stainless Steel<br>Part # |
|------|-------------------------------|
| 1½"  | <b>150CNOSSS</b> <sup>1</sup> |
| 2"   | <b>200CNOSSS</b>              |
| 3"   | <b>300CNOSSS</b>              |

<sup>1</sup> part will be discontinued as stock is depleted



crimped assembly

Contact Dixon® for swage and crimp recommendations.



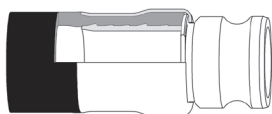
swaged assembly

### Adapters

#### type E adapter x notched NOS hose shank

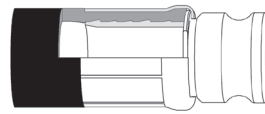
| Size | 316 Stainless Steel<br>Part # |
|------|-------------------------------|
| 1½"  | <b>150ENOSSS</b> <sup>1</sup> |
| 2"   | <b>200ENOSSS</b>              |
| 3"   | <b>300ENOSSS</b>              |

<sup>1</sup> part will be discontinued as stock is depleted



swaged assembly

Contact Dixon® for swage and crimp recommendations.



crimped assembly

### Notched NOS Ferrules

| Size | Hose OD  |          | 304 Stainless Steel<br>Part # |
|------|----------|----------|-------------------------------|
|      | from     | to       |                               |
| 1½"  | 1-60/64" | 2-12/64" | <b>GAS2334NOS</b>             |
| 1½"  | 2-4/64"  | 2-22/64" | <b>GAS2370NOS</b>             |
| 2"   | 2-30/64" | 2-44/64" | <b>GAS2709NOS</b>             |
| 2"   | 2-42/64" | 2-54/64" | <b>GAS2885NOS</b>             |
| 3"   | 3-30/64" | 3-46/64" | <b>GAS3760NOS</b>             |



## Dixon® Tank Car Adapters



Stainless steel adapters are not compatible with the aluminum and brass adapters.

### Features:

- standard 5" Railroad Tank Car thread
- supplied with a Buna-N gasket in the threaded end, for additional gaskets see pages 65-67



| Size | 356T6 Aluminum<br>Part # | Brass<br>Part #   | Iron<br>Part #    | 316 Stainless Steel<br>Part # |
|------|--------------------------|-------------------|-------------------|-------------------------------|
| 2"   | <b>200-TCA-AL</b>        | ---               | ---               | <b>200-TCA-SS</b>             |
| 3"   | <b>300-TCA-AL</b>        | <b>300-TCA-BR</b> | <b>300-TCA-MI</b> | <b>300-TCA-SS</b>             |
| 4"   | <b>400-TCA-AL</b>        | <b>400-TCA-BR</b> | ---               | <b>400-TCA-SS</b>             |

### Features:

- standard 5" Railroad Tank Car thread
- 45° tank car swivel adapter
- unit has a long handle brass swivel nut and a swivel retaining ring
- supplied with a Buna-N gasket in the threaded end, see pages 65-67



| Size | 356T6 Aluminum<br>Part # |
|------|--------------------------|
| 4"   | <b>40A-45TCAL</b>        |

## Dixon® Railroad Tank Car Connections

### Features:

- all swivel nuts have standard 5" Railroad Tank Car thread
- supplied with a Buna-N gasket in the threaded end, other gaskets available on pages 65-67
- also available in other materials and in 2" and 2½" sizes, consult Dixon® for pricing and availability

### Style A

Stainless steel railroad tank car connections are not compatible with aluminum and brass.



| Male Adapter | Swivel Nut | Elbow | 316 Stainless Steel<br>Part # | Aluminum<br>Part # |
|--------------|------------|-------|-------------------------------|--------------------|
| 3"           | 5"         | 120°  | <b>RTCA30</b>                 | ---                |
| 4"           | 5"         | 110°  | <b>RTCA40<sup>1</sup></b>     | <b>ATCA40</b>      |

### Style F

### Features:

- 4" TTMA flange can be bolted to sight glass; API adapter or other dry disconnect
- 110° elbow
- supplied with PTFE Buna-N envelope gasket



| TTMA Flange | Swivel Nut | Aluminum<br>Part #        |
|-------------|------------|---------------------------|
| 4"          | 5"         | <b>ATCF40<sup>1</sup></b> |
| 4"          | 5"         | <b>ATCF40-90</b>          |

<sup>1</sup> part is produced as a welded fabrication

### Style GF

### Features:

- 4" TTMA flange can be bolted to sight glass; API adapter or other dry disconnect
- 110° elbow



| TTMA Flange | Boss-lock™<br>Coupler | Aluminum<br>Part # |
|-------------|-----------------------|--------------------|
| 4"          | 4"                    | <b>ATCGF40</b>     |
| 4"          | 4"                    | <b>ATCGF40-90</b>  |

## Cam and Groove Screen

### Feature:

- stainless steel screen encapsulated in a buna gasket



| Size | Hole Size | 316L Stainless Steel<br>Part # |
|------|-----------|--------------------------------|
|      |           |                                |

## Dixon® Railroad Tank Car Connections

### Style S

**Feature:**

- 110° elbow

| Shank Size | Swivel Nut | Aluminum Part # |
|------------|------------|-----------------|
| 4"         | 5"         | ATCS40          |



### Style T


**Features:**

- 3" threaded end has a 120° elbow
- 4" threaded end has a 110° elbow

| Male NPT | Swivel Nut | Iron Part # | Aluminum Part # |
|----------|------------|-------------|-----------------|
| 3"       | 5"         | TCT30       | ATCT30          |
| 4"       | 5"         | TCT40       | ATCT40          |



### Style T

Stainless steel railroad tank car connections are not compatible with aluminum and brass. 

**Features:**

- 3" threaded end has a 120° elbow
- 4" threaded end has a 110° elbow

| Male NPT | Swivel Nut | 316 Stainless Steel Part # |
|----------|------------|----------------------------|
| 3"       | 5"         | RTCT30                     |
| 4"       | 5"         | RTCT40                     |



## Dixon® Coupler x Tank Car Thread

**Features:**

- part is produced as a welded fabrication
- pressure rating is based on the seal of the mating part, see ratings on page 6

| Coupler | Male Tank Car Thread | Aluminum Part # |
|---------|----------------------|-----------------|
| 4"      | 5"                   | 400DWX5TC       |



## EZ Boss-Lock™ x Coupler Tank Car Thread

**Features:**

- part is produced as a welded fabrication
- pressure rating is based on the seal of the mating part, see ratings on page 6

| Coupler | Male Tank Car Thread | Aluminum Part # |
|---------|----------------------|-----------------|
| 4"      | 5"                   | AD400ALEZMTC    |



## Cam and Groove x Cam and Groove Elbows

**Feature:**

- supplied standard with a Buna-N gasket, other gaskets available on pages 65-67

### 45° Elbows

#### adapter x coupler



| Size | 356T6 Aluminum<br>Part #       | 316 Stainless Steel<br>Part #  | Unplated Malleable Iron<br>Part # |
|------|--------------------------------|--------------------------------|-----------------------------------|
| 2"   | <b>200DA-45AL</b> <sup>1</sup> | <b>200DA-45SS</b> <sup>1</sup> | ---                               |
| 3"   | <b>300DA-45AL</b>              | <b>300DA-45SS</b> <sup>1</sup> | ---                               |
| 4"   | <b>400DA-45AL</b>              | <b>400DA-45SS</b> <sup>1</sup> | <b>400DA-45MI</b>                 |
| 6"   | <b>600DA-45AL</b>              | ---                            | ---                               |

<sup>1</sup> parts are produced as a welded fabrication

#### coupler x coupler



| Size | 356T6 Aluminum<br>Part #       | 316 Stainless Steel<br>Part #  |
|------|--------------------------------|--------------------------------|
| 2"   | <b>200DD-45AL</b> <sup>1</sup> | ---                            |
| 3"   | <b>300DD-45AL</b> <sup>1</sup> | <b>300DD-45SS</b> <sup>1</sup> |
| 4"   | <b>400DD-45AL</b>              | ---                            |
| 6"   | <b>600DD-45AL</b> <sup>1</sup> | ---                            |

• parts are produced as a welded fabrication

### 90° Elbows

#### adapter x coupler



RDA90600EZ

| Size | 356T6 Aluminum<br>Part #       | 316 Stainless Steel<br>Part #    |
|------|--------------------------------|----------------------------------|
| 1"   | ---                            | <b>100DA-90SS</b> <sup>1</sup>   |
| 1½"  | <b>150DA-90AL</b> <sup>1</sup> | <b>150DA-90SS</b> <sup>1</sup>   |
| 2"   | <b>200DA-90AL</b>              | <b>200DA-90SS</b>                |
| 3"   | <b>300DA-90AL</b>              | <b>300DA-90SS</b>                |
| 4"   | <b>400DA-90AL</b>              | <b>400DA-90SS</b>                |
| 5"   | <b>500DA-90AL</b> <sup>1</sup> | ---                              |
| 6"   | <b>600DA-90AL</b>              | <b>RDA90600EZ</b> <sup>1,2</sup> |

<sup>1</sup> parts are produced as a welded fabrication

<sup>2</sup> EZ Boss-Lock™ design

#### coupler x coupler 90° elbow



| Size | 356T6 Aluminum<br>Part #       | 316 Stainless Steel<br>Part #  |
|------|--------------------------------|--------------------------------|
| 2"   | <b>200DD-90AL</b>              | ---                            |
| 3"   | <b>300DD-90AL</b> <sup>1</sup> | <b>300DD-90SS</b> <sup>1</sup> |
| 4"   | <b>400DD-90AL</b>              | ---                            |
| 6"   | <b>600DD-90AL</b>              | ---                            |

<sup>1</sup> parts are produced as a welded fabrication



## Cam and Groove Elbows

### Type A

**Feature:**

- pressure rating is based on the seal of the mating part, see ratings on page 6

#### male adapter x female NPT 90° elbow

| Size | 356T6 Aluminum<br>Part # | 316 Stainless Steel<br>Part # |
|------|--------------------------|-------------------------------|
| 1½"  | <b>150A-90AL</b>         | ---                           |
| 2"   | <b>200A-90AL</b>         | <b>200A-90SS</b> <sup>1</sup> |
| 3"   | <b>300A-90AL</b>         | <b>300A-90SS</b>              |
| 4"   | <b>400A-90AL</b>         | ---                           |

- Couplers are supplied standard with a Buna-N gasket



### Type D

**Feature:**

- supplied standard with a Buna-N gasket, other gaskets available on pages 65-67

#### female coupler x female NPT 90° elbow

| Size | 356T6 Aluminum<br>Part #      | Brass<br>Part #  | 316 Stainless Steel<br>Part # |
|------|-------------------------------|------------------|-------------------------------|
| 1"   | ---                           | ---              | <b>100D-90SS</b>              |
| 1¼"  | ---                           | <b>125D-90BR</b> | ---                           |
| 1½"  | <b>150D-90AL</b>              | <b>150D-90BR</b> | ---                           |
| 2"   | <b>200D-90AL</b>              | <b>200D-90BR</b> | <b>200D-90SS</b>              |
| 3"   | <b>300D-90AL</b>              | ---              | <b>300D-90SS</b>              |
| 4"   | <b>400D-90AL</b>              | ---              | <b>400D-90SS</b> <sup>1</sup> |
| 4"   | <b>AD90400EZ</b> <sup>2</sup> | ---              | ---                           |
| 6"   | <b>600D-90AL</b>              | ---              | ---                           |

<sup>1</sup> parts are produced as a welded fabrication

<sup>2</sup> EZ Boss-Lock™ design (not pictured)



### Type E

**Feature:**

- pressure rating is based on the seal of the mating part, see ratings on page 6

#### male adapter x hose shank 90° elbow

| Size | 356T6 Aluminum<br>Part # | 316 Stainless Steel<br>Part # |
|------|--------------------------|-------------------------------|
| 2"   | ---                      | <b>200E-90SS</b> <sup>1</sup> |
| 3"   | <b>300E-90AL</b>         | <b>300E-90SS</b>              |
| 4"   | <b>400E-90AL</b>         | <b>400E-90SS</b> <sup>1</sup> |

<sup>1</sup> parts are produced as a welded fabrication



### Type C

**Feature:**

- supplied standard with a Buna-N gasket, other gaskets available on pages 65-67

#### female coupler x hose shank 90° elbow

| Size | 356T6 Aluminum<br>Part # | Brass<br>Part #  | 316 Stainless Steel<br>Part # |
|------|--------------------------|------------------|-------------------------------|
| 1¼"  | ---                      | <b>125C-90BR</b> | ---                           |
| ½"   | <b>150C-90AL</b>         | ---              | <b>150C-90SS</b>              |
| 2"   | <b>200C-90AL</b>         | <b>200C-90BR</b> | <b>200C-90SS</b>              |
| 3"   | <b>300C-90AL</b>         | ---              | <b>300C-90SS</b>              |
| 4"   | <b>400C-90AL</b>         | ---              | <b>400C-90SS</b> <sup>1</sup> |
| 6"   | <b>600C-90AL</b>         | ---              | ---                           |

<sup>1</sup> part is produced as a welded fabrication



## Cam and Groove Elbows Type F



**Feature:**

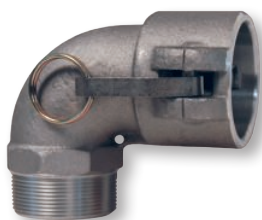
- pressure rating is based on the seal of the mating part, see ratings on page 6

### male adapter x male NPT 90° elbow

| Size | 356T6 Aluminum   | 316 Stainless Steel           |
|------|------------------|-------------------------------|
|      | Part #           | Part #                        |
| 1½"  | <b>150F-90AL</b> | ---                           |
| 2"   | <b>200F90AL</b>  | <b>200F-90SS</b> <sup>1</sup> |
| 3"   | ---              | <b>300F-90SS</b> <sup>1</sup> |

<sup>1</sup> parts are produced as a welded fabrication

## Type B



**Feature:**

- supplied standard with a Buna-N gasket, other gaskets available on pages 65-67

### female coupler x male NPT 90° elbow

| Size | 356T6 Aluminum   | 316 Stainless Steel           |
|------|------------------|-------------------------------|
|      | Part #           | Part #                        |
| 1½"  | <b>150B-90AL</b> | ---                           |
| 2"   | <b>200B-90AL</b> | <b>200B-90SS</b> <sup>1</sup> |
| 3"   | ---              | <b>300B-90SS</b> <sup>1</sup> |

<sup>1</sup> parts are produced as a welded fabrication

## Reducing Cam and Groove Couplings

### Type A

**Feature:**

- pressure rating is based on the seal of the mating part, see ratings on page 6

### male adapter x female NPT



| Size     | 356T6 Aluminum   | Opt Qty | 316 Stainless Steel           | Opt Qty |
|----------|------------------|---------|-------------------------------|---------|
|          | Part #           |         | Part #                        |         |
| 2" x 1½" | <b>2015-A-AL</b> | ---     | <b>2015-A-SS</b> <sup>1</sup> | --      |
| 2" x 3"  | <b>2030-A-AL</b> | 10      | <b>2030-A-SS</b>              | 10      |
| 3" x 2"  | <b>3020-A-AL</b> | 5       | <b>3020-A-SS</b>              | 10      |
| 3" x 4"  | <b>3040-A-AL</b> | 10      | ---                           | --      |
| 4" x 3"  | <b>4030-A-AL</b> | 10      | <b>4030-A-SS</b> <sup>1</sup> | --      |
| 4" x 6"  | <b>4060-A-AL</b> | 5       | ---                           | --      |
| 6" x 4"  | <b>6040-A-AL</b> | 5       | <b>6040-A-SS</b> <sup>1</sup> | --      |

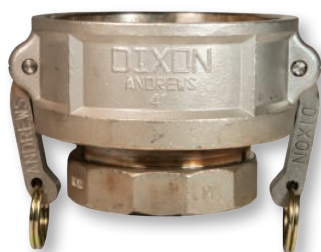
<sup>1</sup> parts are produced as a welded fabrication

### Type D

**Feature:**

- supplied standard with a Buna-N gasket, other gaskets available on pages 65-67

### female coupler x female NPT



| Size     | 356T6 Aluminum                | Opt Qty | Brass            | 316 Stainless Steel           |
|----------|-------------------------------|---------|------------------|-------------------------------|
|          | Part #                        |         | Part #           | Part #                        |
| 1½" x 1" | <b>1510-D-AL</b>              | 10      | ---              | <b>1510-D-SS</b> <sup>1</sup> |
| 2" x 1½" | <b>2015-D-AL</b>              | 10      | ---              | <b>2015-D-SS</b>              |
| 3" x 2"  | <b>3020-D-AL</b>              | 10      | ---              | <b>3020-D-SS</b>              |
| 4" x 3"  | <b>4030-D-AL</b>              | 10      | <b>4030-D-BR</b> | <b>4030-D-SS</b> <sup>1</sup> |
| 5" x 4"  | <b>5040-D-AL</b> <sup>1</sup> | ---     | ---              | ---                           |
| 6" x 4"  | <b>6040-D-AL</b> <sup>1</sup> | ---     | ---              | ---                           |

## Reducing Cam and Groove Couplings

In reducing couplings, the cam and groove end is the first size given in the part number i.e., a 4030-B-AL is a 4" coupler to a 3" male NPT).

### Type E

**Feature:**

- pressure rating is based on the seal of the mating part, see ratings on page 6

#### male adapter x hose shank

| Size     | 356T6 Aluminum<br>Part #      | Opt<br>Qty | 316 Stainless Steel<br>Part # |
|----------|-------------------------------|------------|-------------------------------|
| 1½" x 1" | ---                           | ---        | <b>1510-E-SS</b>              |
| 2" x 1½" | <b>2015-E-AL</b> <sup>1</sup> | ---        | <b>2015-E-SS</b> <sup>1</sup> |
| 3" x 2"  | ---                           | ---        | <b>3020-E-SS</b> <sup>1</sup> |
| 3" x 2½" | ---                           | ---        | <b>3025-E-SS</b>              |
| 4" x 3"  | <b>4030-E-AL</b>              | 10         | <b>4030-E-SS</b> <sup>1</sup> |
| 5" x 4"  | <b>5040-E-AL</b> <sup>1</sup> | ---        | ---                           |



### Type C

**Feature:**

- supplied standard with a Buna-N gasket, other gaskets available on pages 65-67

#### female coupler x hose shank

| Size     | 356T6 Aluminum<br>Part #      | Opt<br>Qty | 316 Stainless Steel<br>Part # |
|----------|-------------------------------|------------|-------------------------------|
| 1½" x 1" | ---                           | ---        | <b>1510-C-SS</b>              |
| 2" x 1½" | <b>2015-C-AL</b> <sup>1</sup> | ---        | <b>2015-C-SS</b> <sup>1</sup> |
| 3" x 2"  | <b>3020-C-AL</b>              | 10         | <b>3020-C-SS</b>              |
| 3" x 2½" | ---                           | ---        | <b>3025-C-SS</b>              |
| 3" x 4"  | <b>3040-C-AL</b>              | 5          | ---                           |
| 4" x 3"  | <b>4030-C-AL</b>              | 5          | <b>4030-C-SS</b> <sup>1</sup> |
| 5" x 4"  | <b>5040-C-AL</b> <sup>1</sup> | ---        | ---                           |



<sup>1</sup> parts are produced as a welded fabrication

### Type F

**Feature:**

- pressure rating is based on the seal of the mating part, see ratings on page 6

#### male adapter x male NPT

| Size     | 356T6 Aluminum<br>Part # | Opt<br>Qty | 316 Stainless Steel<br>Part # |
|----------|--------------------------|------------|-------------------------------|
| 1½" x 2" | <b>1520-F-AL</b>         | ---        | ---                           |
| 2" x 1½" | <b>2015-F-AL</b>         | ---        | <b>2015-F-SS</b> <sup>1</sup> |
| 2" x 3"  | <b>2030-F-AL</b>         | ---        | ---                           |
| 3" x 1½" | <b>3015-F-AL</b>         | 10         | <b>3015-F-SS</b> <sup>1</sup> |
| 3" x 2"  | <b>3020-F-AL</b>         | 10         | <b>3020-F-SS</b>              |
| 3" x 4"  | <b>3040-F-AL</b>         | 10         | ---                           |
| 4" x 3"  | <b>4030-F-AL</b>         | 10         | <b>4030-F-SS</b>              |



<sup>1</sup> parts are produced as a welded fabrication

### Type B

**Feature:**

- supplied standard with a Buna-N gasket, other gaskets available on pages 65-67

#### female coupler x male NPT

| Size     | 356T6 Aluminum<br>Part # | Opt<br>Qty | 316 Stainless Steel<br>Part # |
|----------|--------------------------|------------|-------------------------------|
| 1½" x 1" | <b>1510-B-AL</b>         | 10         | <b>1510-B-SS</b> <sup>1</sup> |
| 2" x 1½" | <b>2015-B-AL</b>         | 10         | <b>2015-B-SS</b> <sup>1</sup> |
| 2" x 3"  | <b>2030-B-AL</b>         | ---        | ---                           |
| 3" x 2"  | <b>3020-B-AL</b>         | 10         | <b>3020-B-SS</b> <sup>1</sup> |
| 3" x 4"  | <b>3040-B-AL</b>         | 10         | ---                           |
| 4" x 3"  | <b>4030-B-AL</b>         | 5          | <b>4030-B-SS</b> <sup>1</sup> |



## Dixon® Reducing Cam and Groove Couplings

In reducing cam and groove couplings, the coupler is the first size in the part number; (i.e., a 4030-DA-AL is a 4" coupler to a 3" adapter).

**Feature:**

- supplied standard with a Buna-N gasket, other gaskets available on pages 65-67

**coupler x adapter**

| Size     | 356T6 Aluminum Part #     | Opt Qty | 316 Stainless Steel Part # |
|----------|---------------------------|---------|----------------------------|
| 1" x 1½" | 1015-DA-AL <sup>1</sup>   | ---     | 1015-DA-SS <sup>1</sup>    |
| 1½" x 1" | 1510DAAL                  | ---     | 1510-DA-SS <sup>1</sup>    |
| 1½" x 2" | 1520-DA-AL                | 10      | 1520-DA-SS                 |
| 2" x 1"  | 2010-DA-AL                | ---     | 2010-DA-SS                 |
| 2" x 1½" | 2015-DA-AL                | 10      | 2015-DA-SS                 |
| 2" x 2½" | 2025-DA-AL <sup>1</sup>   | ---     | 2025-DA-SS <sup>1</sup>    |
| 2" x 3"  | 2030-DA-AL                | 5       | 2030-DA-SS                 |
| 2" x 4"  | 2040-DA-AL                | ---     | 2040-DA-SS <sup>1</sup>    |
| 2½" x 2" | ---                       | ---     | 2520-DA-SS <sup>1</sup>    |
| 2½" x 3" | ---                       | ---     | 2530-DA-SS <sup>1</sup>    |
| 3" x 1½" | 3015-DA-AL                | ---     | 3015-DA-SS <sup>1</sup>    |
| 3" x 2"  | 3020-DA-AL                | 10      | 3020-DA-SS                 |
| 3" x 2½" | 3025-DA-AL <sup>1</sup>   | ---     | 3025-DA-SS <sup>1</sup>    |
| 3" x 4"  | 3040-DA-AL                | 5       | 3040-DA-SS                 |
| 3" x 6"  | 3060-DA-AL <sup>1</sup>   | ---     | 3060-DA-SS <sup>1</sup>    |
| 4" x 2"  | 4020-DA-AL                | 5       | 4020-DA-SS <sup>1</sup>    |
| 4" x 2½" | 4025-DA-AL                | ---     | 4025-DA-SS <sup>1</sup>    |
| 4" x 3"  | 4030-DA-AL                | 5       | 4030-DA-SS                 |
| 4" x 5"  | 4050-DA-AL                | 2       | ---                        |
| 4" x 6"  | 4060-DA-AL                | 2       | 4060-DA-SS <sup>1</sup>    |
| 5" x 3"  | 5030-DA-AL <sup>1</sup>   | 2       | 5030-DA-SS <sup>1</sup>    |
| 5" x 4"  | 5040-DA-AL                | 2       | 5040-DA-SS <sup>1</sup>    |
| 5" x 6"  | 5060-DA-AL <sup>1</sup>   | ---     | 5060-DA-SS                 |
| 6" x 3"  | 6030-DA-AL                | 2       | 6030-DA-SS <sup>1</sup>    |
| 6" x 4"  | 6040-DA-AL                | 2       | 6040-DA-SS                 |
| 6" x 5"  | 6050-DA-AL                | ---     | 6050-DA-SS <sup>1</sup>    |
| 8" x 6"  | 8060-DA-AL <sup>1,2</sup> | ---     | ---                        |

<sup>1</sup> parts are produced as a welded fabrication

<sup>2</sup> The 8" coupler only has 2 cam arms and *only interchanges with Dixon® adapters.*



**coupler x adapter**

| Size    | Brass Part # | Opt Qty | Unplated Malleable Iron Part # | Opt Qty |
|---------|--------------|---------|--------------------------------|---------|
| 3" x 2" | 3020-DA-BR   | 10      | 3020-DA-MI                     | 10      |
| 3" x 4" | 3040-DA-BR   | 5       | ---                            | ---     |
| 4" x 3" | 4030-DA-BR   | 2       | 4030-DA-MI                     | ---     |
| 6" x 4" | 6040-DA-BR   | ---     | 6040-DA-MI                     | ---     |



3" coupler x 1½" adapter



4" coupler x 6" adapter



3" coupler x 2½" adapter



5" coupler x 6" adapter

### Coupler x Adapter with Port

| Size    | Port | 316 Stainless Steel Part # |
|---------|------|----------------------------|
| 3" x 3" | ¼"   | 300DAT25SS                 |
| 3" x 3" | ⅜"   | 300DAT38SS                 |
| 3" x 3" | ½"   | 300DAT50SS                 |
| 3" x 3" | ¾"   | 300DAT75SS                 |



### Reducing Coupler x Adapter with Port

| Size    | Port | 316 Stainless Steel Part # |
|---------|------|----------------------------|
| 3" x 2" | ¼"   | 3020DAT25SS                |
| 3" x 2" | ⅜"   | 3020DAT38SS                |
| 3" x 2" | ½"   | 3020DAT50SS                |



## Boss-Lock™ Reducing Cam and Groove Couplings

In reducing cam and groove couplings, the coupler is the first size in the part number; (i.e., a ADA4030 is a 4" coupler to a 3" adapter).

### Feature:

- supplied standard with a Buna-N gasket, other gaskets available on pages 65-67

#### coupler x adapter

| Size     | 356T6 Aluminum<br>Part # | 316 Stainless Steel<br>Part # | Opt<br>Qty |
|----------|--------------------------|-------------------------------|------------|
| 2" x 3"  | ADA2030 <sup>1</sup>     | RDA2030BL <sup>1</sup>        | 10         |
| 2½" x 2" | ADA2520 <sup>1</sup>     | ---                           | --         |
| 2½" x 3" | ADA2530 <sup>1</sup>     | ---                           | --         |
| 3" x 2"  | ADA3020                  | RDA3020BL                     | 10         |
| 3" x 4"  | ADA3040 <sup>1</sup>     | RDA3040BL <sup>1</sup>        | 10         |
| 4" x 2"  | ADA4020 <sup>1</sup>     | RDA4020BL <sup>1</sup>        | 10         |
| 4" x 3"  | ADA4030                  | RDA4030BL                     | 10         |
| 6" x 4"  | ADA6040 <sup>1</sup>     | ---                           | --         |
| 8" x 6"  | ADA8060 <sup>1,2</sup>   | ---                           | --         |



<sup>1</sup> parts are produced as a welded fabrication

<sup>2</sup> The 8" coupler only interchanges with 8" Boss-Lock™ couplings.

## EZ Boss-Lock™ Reducing Cam and Groove Couplings

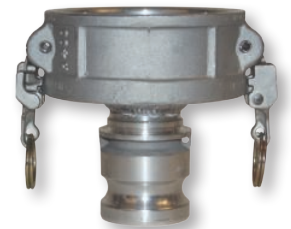
In reducing cam and groove couplings, the coupler is the first size in the part number; (i.e., a ADA4030EZ is a 4" coupler to a 3" adapter).

### Feature:

- supplied standard with a Buna-N gasket, other gaskets types available on pages 65-67

#### coupler x adapter

| Size    | 356T6 Aluminum<br>Part # | 316 Stainless Steel<br>Part # |
|---------|--------------------------|-------------------------------|
| 2" x 3" | ADA2030EZ <sup>1</sup>   | RDA2030EZ <sup>1</sup>        |
| 3" x 2" | ADA3020EZ                | RDA3020EZ                     |
| 3" x 4" | ADA3040EZ <sup>1</sup>   | RDA3040EZ <sup>1</sup>        |
| 4" x 2" | ADA4020EZ <sup>1</sup>   | RDA4020EZ <sup>1</sup>        |
| 4" x 3" | ADA4030EZ                | RDA4030EZ                     |
| 6" x 4" | ADA6040EZ <sup>1</sup>   | RDA6040EZ                     |



<sup>1</sup> parts are produced as a welded fabrication

## Dixon® Lockable Dust Caps

### Features:

- supplied standard with a Buna-N gasket, other gaskets available on pages 65-67
- Dust caps and dust plugs are not to be used in pressure applications for safety and environmental reasons.



| Size | 356T6 Aluminum<br>Part # | Opt<br>Qty | Brass<br>Part # | Opt<br>Qty |
|------|--------------------------|------------|-----------------|------------|
| 1½"  | 150DC-LAL                | 10         | 150DC-LBR       | 10         |
| 2"   | 200DC-LAL                | 10         | 200DC-LBR       | 10         |
| 3"   | 300DC-LAL                | 10         | 300DC-LBR       | 10         |
| 4"   | 400DC-LAL                | 10         | ---             | ---        |
| 6"   | 600DC-LAL                | 2          | ---             | ---        |



### Feature:

- angled, ergonomic thumb release

| Size | 316 Stainless Steel<br>Part # |
|------|-------------------------------|
| 1½"  | 150DC-LSS                     |
| 2"   | 200DC-LSS                     |
| 3"   | 300DC-LSS                     |
| 4"   | 400DC-LSS                     |



### Dixon® Spool Adapters

**Feature:**

- pressure rating is based on the seal of the mating part, see ratings on page 6  
**adapter x adapter**



increaser / reducer



same size

| Size     | 356T6 Aluminum Part #          | 316 Stainless Steel Part #     |
|----------|--------------------------------|--------------------------------|
| 1"       | ---                            | <b>100-AA-SS</b>               |
| 1¼"      | ---                            | <b>125-AA-SS</b> <sup>1</sup>  |
| 1½"      | <b>150-AA-AL</b>               | <b>150-AA-SS</b>               |
| 1½" x 2" | <b>1520-AA-AL</b>              | <b>1520-AA-SS</b>              |
| 2"       | <b>200-AA-AL</b>               | <b>200-AA-SS</b>               |
| 2" x 3"  | <b>2030-AA-AL</b>              | <b>2030-AA-SS</b>              |
| 2" x 4"  | <b>2040-AA-AL</b>              | <b>2040-AA-SS</b> <sup>1</sup> |
| 2½" x 3" | <b>2530-AA-AL</b> <sup>1</sup> | <b>2530-AA-SS</b> <sup>1</sup> |
| 2½" x 4" | <b>2540-AA-AL</b> <sup>1</sup> | ---                            |
| 3"       | <b>300-AA-AL</b>               | <b>300-AA-SS</b>               |
| 3" x 4"  | <b>3040-AA-AL</b>              | <b>3040-AA-SS</b> <sup>1</sup> |
| 4"       | <b>400-AA-AL</b>               | <b>400-AA-SS</b>               |
| 4" x 5"  | <b>4050-AA-AL</b>              | ---                            |
| 4" x 6"  | <b>4060-AA-AL</b>              | <b>4060-AA-SS</b> <sup>1</sup> |
| 5"       | <b>500-AA-AL</b> <sup>1</sup>  | <b>500-AA-SS</b> <sup>1</sup>  |
| 5" x 6"  | <b>5060-AA-AL</b> <sup>1</sup> | ---                            |
| 6"       | <b>600-AA-AL</b>               | <b>600-AA-SS</b> <sup>1</sup>  |
| Size     | <b>Brass Part #</b>            |                                |
| 2"       | <b>200-AA-BR</b>               |                                |
| 3"       | <b>300-AA-BR</b>               |                                |

<sup>1</sup> parts are produced as a welded fabrication

### Dixon® Spool Couplers

**Feature:**

- supplied standard with a Buna-N gasket, other gaskets available on pages 65-67  
**coupler x coupler**



increaser / reducer



same size

| Size    | 356T6 Aluminum Part #          | 316 Stainless Steel Part #     |
|---------|--------------------------------|--------------------------------|
| 1½"     | ---                            | <b>150-DD-SS</b> <sup>1</sup>  |
| 2"      | <b>200-DD-AL</b>               | <b>200-DD-SS</b>               |
| 2" x 3" | <b>2030-DD-AL</b>              | <b>2030-DD-SS</b>              |
| 3"      | <b>300-DD-AL</b>               | <b>300-DD-SS</b>               |
| 3" x 4" | <b>3040-DD-AL</b>              | <b>3040-DD-SS</b> <sup>1</sup> |
| 4"      | <b>400-DD-AL</b>               | <b>400-DD-SS</b>               |
| 4" x 5" | <b>4050-DD-AL</b> <sup>1</sup> | <b>4050-DD-SS</b> <sup>1</sup> |
| 4" x 6" | <b>4060-DD-AL</b> <sup>1</sup> | <b>4060-DD-SS</b>              |
| 5"      | <b>500-DD-AL</b> <sup>1</sup>  | <b>500-DD-SS</b>               |
| 6"      | <b>600-DD-AL</b>               | ---                            |

<sup>1</sup> parts are produced as a welded fabrication

### Boss-Lock™ Spool Couplers

**Feature:**

- supplied standard with a Buna-N gasket, other gaskets available on pages 65-67  
**coupler x coupler**



reducer / increaser



same size

| Size    | 356T6 Aluminum Part #       | 316 Stainless Steel Part #    |
|---------|-----------------------------|-------------------------------|
| 2"      | <b>ADD200</b> <sup>1</sup>  | <b>RDD200EZ</b>               |
| 2" x 3" | <b>ADD2030</b> <sup>1</sup> | <b>RDD2030EZ</b> <sup>1</sup> |
| 3"      | <b>ADD300</b> <sup>1</sup>  | <b>RDD300EZ</b> <sup>1</sup>  |
| 3" x 4" | <b>ADD3040</b> <sup>1</sup> | <b>RDD3040EZ</b> <sup>1</sup> |
| 4"      | <b>ADD400</b> <sup>1</sup>  | <b>RDD400EZ</b> <sup>1</sup>  |
| 6"      | ---                         | <b>RDD600EZ</b> <sup>1</sup>  |

## Adapters and Couplers x 150# Flanged Drilling

### Features:

- aluminum and unplated iron flanges are flat faced
- stainless steel flanges are raised face

### Dixon® adapter x 150# flange

| Size | 356T6 Aluminum<br>Part #      | Flange<br>Thick. | Unplated Malleable Iron<br>Part # | Flange<br>Thick. | 316 Stainless Steel<br>Part # | Flange<br>Thick. |
|------|-------------------------------|------------------|-----------------------------------|------------------|-------------------------------|------------------|
| 1"   | ---                           | —                | ---                               | —                | <b>100-AL-SS</b>              | 9/16"            |
| 1½"  | ---                           | —                | ---                               | —                | <b>150-AL-SS</b>              | 11/16"           |
| 2"   | <b>200-AL-AL</b>              | ¾"               | ---                               | —                | <b>200-AL-SS</b>              | 7/16"            |
| 3"   | <b>300-AL-AL</b>              | ⅝"               | <b>300-AL-MI</b>                  | ⅝"               | <b>300-AL-SS</b>              | 7/16"            |
| 4"   | <b>400-AL-AL</b>              | ⅝"               | ---                               | —                | <b>400-AL-SS</b>              | 7/16"            |
| 6"   | <b>600-AL-AL</b>              | ⅝"               | ---                               | —                | <b>600-AL-SS</b>              | ⅝"               |
| 8"   | <b>800-AL-AL</b> <sup>1</sup> | 1⅛"              | ---                               | —                | ---                           | ---              |

<sup>1</sup> part is produced as a welded fabrication



### Feature:

- global product made to Dixon® specifications

### Global Dixon® adapter x 150# ANSI flange

| Size | 316 Stainless Steel<br>Part # | Flange<br>Thickness |
|------|-------------------------------|---------------------|
| 2"   | <b>200-AL-SSANSI</b>          | ¾"                  |
| 3"   | <b>300-AL-SSANSI</b>          | 15/16"              |



### Feature:

- supplied standard with a Buna-N gasket, other gaskets available on pages 65-67

### Dixon® coupler x 150# flange

| Size | 356T6 Aluminum<br>Part #      | Flange<br>Thickness | 316 Stainless Steel<br>Part # | Flange<br>Thickness |
|------|-------------------------------|---------------------|-------------------------------|---------------------|
| 1"   | ---                           | ---                 | <b>100-DL-SS</b>              | 21/32"              |
| 1½"  | ---                           | ---                 | <b>150-DL-SS</b>              | 25/32"              |
| 2"   | <b>200-DL-AL</b>              | 3/4"                | <b>200-DL-SS</b>              | 7/16"               |
| 3"   | <b>300-DL-AL</b>              | 15/16"              | <b>300-DL-SS</b>              | 7/16"               |
| 4"   | <b>400-DL-AL</b>              | 15/16"              | <b>400-DL-SS</b>              | 7/16"               |
| 6"   | <b>600-DL-AL</b>              | 1"                  | <b>600-DL-SS</b>              | ⅝"                  |
| 8"   | <b>800-DL-AL</b> <sup>1</sup> | 1-1/8"              | ---                           | ---                 |

<sup>1</sup> part is produced as a welded fabrication



### Feature:

- supplied standard with a Buna-N gasket, other gaskets available on pages 65-67

### EZ Boss-Lock™ coupler x 150# flange

| Size | 316 Stainless Steel<br>Part # | Flange<br>Thickness |
|------|-------------------------------|---------------------|
| 1"   | <b>RDL100EZ</b> <sup>1</sup>  | 9/16"               |
| 1½"  | <b>RDL150EZ</b> <sup>1</sup>  | 11/16"              |
| 2"   | <b>RDL200EZ</b>               | 7/16"               |
| 3"   | <b>RDL300EZ</b> <sup>1</sup>  | 7/16"               |
| 4"   | <b>RDL400EZ</b> <sup>1</sup>  | 7/16"               |
| 6"   | <b>RDL600EZ</b> <sup>1</sup>  | 1"                  |

<sup>1</sup> part is produced as a welded fabrication



## In-Line Sight Glass for Bulk Transfer

### Applications:

- designed for dry bulk transfer hose
- not intended for liquid service, for dry bulk transfer *only*



### Materials:

- aluminum body, Buna seals, acrylic sight glasses, stainless steel hardware and bronze cam arms (where applicable)

| Size    | coupler x adapter |               | adapter x adapter |               | coupler x coupler |               |
|---------|-------------------|---------------|-------------------|---------------|-------------------|---------------|
|         | Part #            | Part #        | Part #            | Part #        | Part #            | Part #        |
| 3" x 3" | <b>3533CA</b>     | <b>3533AA</b> | <b>3533AA</b>     | <b>3533CC</b> | <b>3533CC</b>     | <b>3533CC</b> |
| 3" x 4" | <b>3534CA</b>     | <b>3534AA</b> | <b>3534AA</b>     | ---           | ---               | ---           |
| 4" x 3" | <b>3543CA</b>     | ---           | ---               | <b>3543CC</b> | <b>3543CC</b>     | <b>3543CC</b> |



## Specialty Items



coupler x adapter wye

| Size | 356T6 Aluminum<br>Part # |
|------|--------------------------|
| 2"   | <b>200YDAAAL</b>         |



tank truck flanged tee

| Size | 356T6 Aluminum<br>Part # |
|------|--------------------------|
| 4"   | <b>400-TLT-AL</b>        |

- some parts have a colored anodized surface finish

## TTMA Series Flange Adapters

**Application:**

- provides an easy way to quickly convert threaded components to a standard TTMA flange configuration

**Features:**

- solid cast lightweight aluminum design is more durable than welded fabrications
- design improves flow through adapter even on the 3" reducer
- compact size reduces the overall space needed to install

### Male Threaded

TTMA flange x standard male NPT



| TTMA Flange | Male NPT | Aluminum<br>Part # |
|-------------|----------|--------------------|
| 3"          | 3"       | <b>TTF3AL-3MT</b>  |
| 4"          | 3"       | <b>TTF4AL-3MT</b>  |
| 4"          | 4"       | <b>TTF4AL-4MT</b>  |

### Extended Length - Male Threaded

TTMA flange x extended length male NPT



| TTMA Flange | Male NPT | Aluminum<br>Part # |
|-------------|----------|--------------------|
| 4"          | 3"       | <b>TTF4AL-3EMT</b> |
| 4"          | 4"       | <b>TTF4AL-4EMT</b> |

### Female Threaded

TTMA flange x female NPT



| TTMA Flange | Female NPT | Aluminum<br>Part # |
|-------------|------------|--------------------|
| 4"          | 3"         | <b>TTF4AL-3FT</b>  |
| 4"          | 4"         | <b>TTF4AL-4FT</b>  |

### Slip-on

TTMA flange x slip-on



| TTMA Flange | Pipe Size | Aluminum<br>Part # |
|-------------|-----------|--------------------|
| 4"          | 4"        | <b>TTF400SP</b>    |



## TTMA Flange Extensions

### Applications:

- used on load arms to connect an API load coupler to a load arm

### Features:

- adds a 6" space between the load arm and the tank truck
- extension with groove provides a specified parting point to prevent excessive damage to the loading arm

| Size | Description                                     | Aluminum<br>Part # |
|------|---|--------------------|
| 4"   | TTMA flange extension                           | <b>TETF4AL</b>     |
| 4"   | TTMA flange extension with groove               | <b>TETFG4AL</b>    |
| 4"   | TTMA flange extension with 1/2" female NPT port | <b>TETF4ALFP50</b> |



TETF4AL



TETFG4AL

## Dixon® Adapters and Couplers x Round Tank Truck Flange

### Features:

- aluminum flanges have a flat face, stainless flanges have a raised face
- pressure rating is based on the seal of the mating part, see ratings on page 6

### adapter x round tank truck flange

| Size    | 356T6 Aluminum<br>Part # | 316 Stainless Steel<br>Part #  |
|---------|--------------------------|--------------------------------|
| 3"      | <b>300-ALT-AL</b>        | <b>300-ALT-SS</b> <sup>1</sup> |
| 3" x 4" | <b>3040ALTAL</b>         | ---                            |
| 4"      | <b>400-ALT-AL</b>        | <b>400-ALT-SS</b> <sup>1</sup> |
| 6"      | <b>600-ALT-AL</b>        | ---                            |

<sup>1</sup> parts are produced as a welded fabrication



### Feature:

- supplied standard with a Buna-N gasket, other gaskets available on pages 65-67

### coupler x round tank truck flange

| Size    | 356T6 Aluminum<br>Part # |
|---------|--------------------------|
| 3"      | <b>300-DLT-AL</b>        |
| 3" x 4" | <b>3040DLTAL</b>         |
| 4"      | <b>400-DLT-AL</b>        |
| 6"      | <b>600-DLT-AL</b>        |



## Dixon® 22½° Adapters and Couplers x Round Tank Truck Flange

### Feature:

- pressure rating is based on the seal of the mating part, see ratings on page 6

### 22½° adapter x round tank truck flange

| Size | 356T6 Aluminum<br>Part # |
|------|--------------------------|
| 4"   | <b>40022ALTAL</b>        |



### Feature:

- supplied standard with a Buna-N gasket, other gaskets available on pages 65-67

### 22½° coupler x round tank truck flange

| Size | 356T6 Aluminum<br>Part # |
|------|--------------------------|
| 4"   | <b>40022DLTAL</b>        |



## Round Tank Truck Flange Gaskets (TTMA)

| Size | OD     | ID      | Thick. | Material                          | Part #           |
|------|--------|---------|--------|-----------------------------------|------------------|
| 3"   | 5 5/8" | 3 1/2"  | 1/8"   | Cork / Buna                       | <b>300GTTFCB</b> |
| 3"   | 5 5/8" | 3 1/2"  | 1/16"  | PTFE envelope with Klinger filler | <b>300GTTFTK</b> |
| 3"   | 5 5/8" | 3 1/2"  | 1/8"   | Klingersil® C-4401                | <b>300GTTFK</b>  |
| 3"   | 5 7/8" | 3 1/2"  | 1/4"   | PTFE with fiber core              | <b>40321TF</b>   |
| 4"   | 6 5/8" | 4-9/16" | 1/8"   | Cork / Buna                       | <b>400GTTFCB</b> |
| 4"   | 6 5/8" | 4-9/16" | 1/16"  | PTFE envelope with Klinger filler | <b>400GTTFTK</b> |
| 4"   | 6 5/8" | 4-9/16" | 1/8"   | Klingersil® C-4401                | <b>400GTTFK</b>  |



### Dixon® Vapor Recovery Couplers

- not intended for liquid service, for vapor recovery *only*



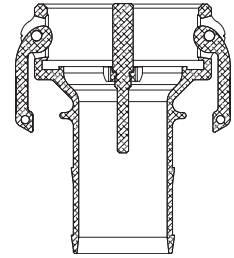
**Features:**

- cast aluminum body
- bronze arms with stainless steel pins
- plated carbon steel finger rings
- Buna-N gasket



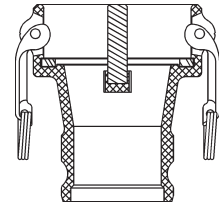
**coupler with probe x hose shank**

| Coupler Size | Hose Shank Size | 356T6 Aluminum Part # |
|--------------|-----------------|-----------------------|
| 4"           | 3"              | <b>4030-CVR-AL</b>    |
| 4"           | 4"              | <b>400-CVR-AL</b>     |



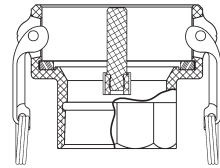
**coupler with probe x adapter**

| Coupler Size | Adapter Size | 356T6 Aluminum Part # |
|--------------|--------------|-----------------------|
| 4"           | 3"           | <b>4030-DAVR-AL</b>   |



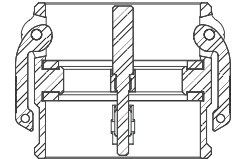
**coupler with probe x female NPT**

| Coupler Size | Female NPT Size | 356T6 Aluminum Part # |
|--------------|-----------------|-----------------------|
| 4"           | 3"              | <b>4030-DVR-AL</b>    |
| 4"           | 4"              | <b>400-DVR-AL</b>     |



**coupler with probe x coupler with probe**

| Coupler Size | Coupler Size | 356T6 Aluminum Part # |
|--------------|--------------|-----------------------|
| 4"           | 4"           | <b>400-DDVR-AL</b>    |



### Dixon Bayco Vapor Recovery Couplers

**Applications:**

- for use with 3" vapor hose
- not intended for liquid service, for vapor recovery *only*



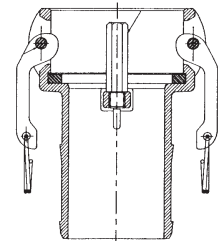
**Features:**

- cast aluminum body, bronze arms with stainless steel pins and finger rings
- Buna-N gasket
- Dixon® replacement handle assemblies will not work on these fittings, contact Dixon® for replacements.



**coupler with probe x hose shank**

| Coupler Size | Hose Shank Size | Aluminum Part #  |
|--------------|-----------------|------------------|
| 3"           | 3"              | <b>VRC3000AL</b> |

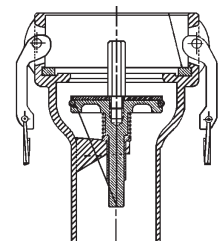


**Feature:**

- VR4030CS-AL has an FKM O-ring poppet seal

**coupler with poppet and probe x hose shank**

| Coupler Size | Hose Shank Size | Aluminum Part #                |
|--------------|-----------------|--------------------------------|
| 4"           | 3"              | <b>VR4030CS-AL<sup>1</sup></b> |
| 4"           | 4"              | <b>VR4040CS-AL</b>             |



<sup>1</sup> Interchangeable with all competitor vapor valves except

## Dixon® Butt Weld to Tube Cam and Groove

### Application:

- designed to be butt welded to standard sanitary tubing

### Feature:

- investment casting

### adapter x butt weld to tube end

| Size | 316 Stainless Steel<br>Part # |
|------|-------------------------------|
| 1"   | RE100BT                       |
| 1½"  | RE150BT                       |
| 2"   | RE200BT                       |
| 3"   | RE300BT                       |



### Boss-Lock™ coupler x butt weld to tube end

| Size | 316 Stainless Steel<br>Part # |
|------|-------------------------------|
| 1"   | RC100BT                       |
| 1½"  | RC150BT                       |
| 2"   | RC200BT                       |
| 3"   | RC300BT                       |



## Dixon® Adapters for Welding

### Feature:

- not all configurations are stocked
- line drawings are for reference only, consult Dixon® for specific dimensions
- final weld preparation, as with all weld fittings, is the responsibility of the welder



### socket weld to schedule 40 pipe

| Size   | Bore  | 356T6 Aluminum<br>Part # | 316 Stainless Steel<br>Part # |
|--------|-------|--------------------------|-------------------------------|
| ¾"     | 1.065 | ---                      | 75AWSPSS                      |
| 1"     | 1.330 | ---                      | 100AWSPSS                     |
| 1½"    | 1.915 | 150AWSPAL                | 150AWSPSS                     |
| 2"     | 2.390 | 200AWSPAL                | 200AWSPSS                     |
| 3"     | 3.530 | 300AWSPAL                | 300AWSPSS                     |
| 4"     | 4.530 | 400AWSPAL                | 400AWSPSS                     |
| 5"     | 5.593 | 500AWSPAL                | 500AWSPSS                     |
| 6"     | 6.655 | 600AWSPAL                | 600AWSPSS                     |
| 8" DIX | 8.711 | 800AWSPAL <sup>1</sup>   | ---                           |
| 8" BL  | 8.711 | 801AWSPAL <sup>1</sup>   | ---                           |



### butt weld to schedule 40 pipe / socket weld to nominal OD tubing

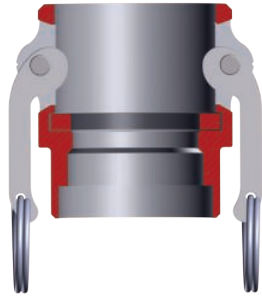
| Size  | Bore  | 356T6 Aluminum<br>Part # | 316 Stainless Steel<br>Part # |
|-------|-------|--------------------------|-------------------------------|
| ¾"    | .765  | ---                      | 75AWBPSTSS                    |
| 1"    | 1.015 | ---                      | 100AWBPSTSS                   |
| 1½"   | 1.515 | 150AWBPSTAL              | 150AWBPSTSS                   |
| 2"    | 2.015 | 200AWBPSTAL              | 200AWBPSTSS                   |
| 3"    | 3.015 | 300AWBPSTAL              | 300AWBPSTSS                   |
| 4"    | 4.015 | 400AWBPSTAL              | 400AWBPSTSS                   |
| 5"    | 5.015 | 500AWBPSTAL              | 500AWBPSTSS                   |
| 6"    | 6.020 | 600AWBPSTAL              | 600AWBPSTSS                   |
| 8" BL | 8.035 | 801AWBPSTAL <sup>1</sup> | ---                           |



## Dixon® Couplers for Welding

### Features:

- not all configurations are stocked
- Boss-Lock™ versions are also available, consult Dixon® for pricing and availability
- line drawings are for reference only, consult Dixon® for specific dimensions
- final weld preparation, as with all weld fittings, is the responsibility of the welder

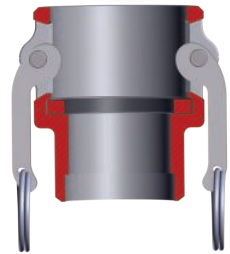


### socket weld to schedule 40 pipe

| Size | Bore  | 356T6 Aluminum Part #         | 316 Stainless Steel Part # |
|------|-------|-------------------------------|----------------------------|
| ¾"   | 1.065 | ---                           | <b>75DWSPSS</b>            |
| 1"   | 1.330 | <b>100DWSPAL</b>              | <b>100DWSPSS</b>           |
| 1½"  | 1.915 | <b>150DWSPAL</b>              | <b>150DWSPSS</b>           |
| 2"   | 2.390 | <b>200DWSPAL</b>              | <b>200DWSPSS</b>           |
| 3"   | 3.530 | <b>300DWSPAL</b>              | <b>300DWSPSS</b>           |
| 4"   | 4.530 | <b>400DWSPAL</b>              | <b>400DWSPSS</b>           |
| 5"   | 5.562 | <b>500DWSPAL</b>              | <b>500DWSPSS</b>           |
| 6"   | 6.655 | <b>600DWSPAL</b>              | <b>600DWSPSS</b>           |
| 8"   | 8.711 | <b>800DWSPAL</b> <sup>1</sup> | ---                        |



<sup>1</sup> Dixon® and Boss-Lock™ cam and groove couplings do not interchange in the 8" size. The 8" Dixon® design has 4 cam arms.



### butt weld to schedule 40 pipe / socket weld to nominal OD tubing

| Size | Bore  | 356T6 Aluminum Part # | 316 Stainless Steel Part # |
|------|-------|-----------------------|----------------------------|
| ¾"   | .765  | ---                   | <b>75DWPSTSS</b>           |
| 1"   | 1.015 | ---                   | <b>100DWPSTSS</b>          |
| 1½"  | 1.515 | <b>150DWPSTAL</b>     | <b>150DWPSTSS</b>          |
| 2"   | 2.015 | <b>200DWPSTAL</b>     | <b>200DWPSTSS</b>          |
| 3"   | 3.015 | <b>300DWPSTAL</b>     | <b>300DWPSTSS</b>          |
| 4"   | 4.015 | <b>400DWPSTAL</b>     | <b>400DWPSTSS</b>          |
| 5"   | 5.015 | <b>500DWPSTAL</b>     | ---                        |
| 6"   | 6.020 | <b>600DWPSTAL</b>     | ---                        |

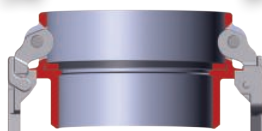
## EZ Boss-Lock™ Couplers for Welding

### socket weld to schedule 40 pipe



| Size | Bore  | 316 Stainless Steel Part # |
|------|-------|----------------------------|
| ¾"   | 1.065 | <b>RDWSP075EZ</b>          |
| 1"   | 1.330 | <b>RDWSP100EZ</b>          |
| 1½"  | 1.915 | <b>RDWSP150EZ</b>          |
| 2"   | 2.390 | <b>RDWSP200EZ</b>          |
| 3"   | 3.530 | <b>RDWSP300EZ</b>          |
| 4"   | 4.530 | <b>RDWSP400EZ</b>          |
| 6"   | 6.655 | <b>RDWSP600EZ</b>          |

### butt weld to schedule 40 pipe / socket weld to nominal OD tubing



| Size | Bore  | 316 Stainless Steel Part # |
|------|-------|----------------------------|
| ¾"   | .765  | <b>RDWPST075EZ</b>         |
| 1"   | 1.015 | <b>RDWPST100EZ</b>         |
| 1½"  | 1.515 | <b>RDWPST150EZ</b>         |
| 2"   | 2.015 | <b>RDWPST200EZ</b>         |
| 3"   | 3.015 | <b>RDWPST300EZ</b>         |
| 4"   | 4.015 | <b>RDWPST400EZ</b>         |
| 6"   | 6.020 | <b>RDWPST600EZ</b>         |

## Dixon® Standard Handle Assemblies

**Features:**

- stainless steel pins standard with all assemblies
- roll pins are 302 stainless and solid pins are 303 stainless
- pull rings are standard on sizes 1¼" thru 6", pull rings are optional on other sizes
- domestic Dixon® standard handle assemblies are to only be used with standard Dixon® parts (not global)



| Coupler Size | Description                            | Brass Part #      | 316 Sintered Stainless Steel Part # | 316 Investment Stainless Steel Part # |
|--------------|--|-------------------|-------------------------------------|---------------------------------------|
| ½"           | cam arm and pin                        | ---               | <b>50-HP-SP</b>                     | ---                                   |
| ¾"           | cam arm and pin                        | ---               | <b>75-HP-SP</b>                     | ---                                   |
| 1"           | cam arm and pin                        | ---               | <b>100-HP-SP</b>                    | ---                                   |
| 1¼" - 2½"    | cam arm, ring and pin                  | <b>200-HRP-BR</b> | <b>200-HRP-SP</b>                   | ---                                   |
| 2"           | cam arm, ring and pin                  | ---               | ---                                 | <b>200-HSCR-SP</b>                    |
| 3"           | cam arm, ring and pin                  | ---               | ---                                 | <b>300-HSCR-SP</b>                    |
| 3" - 5"      | cam arm, ring and pin                  | <b>300-HRP-BR</b> | <b>300-HRP-SP</b>                   | ---                                   |
| 6"           | cam arm, ring and pin                  | <b>600-HRP-BR</b> | ---                                 | <b>600-HRP-SI</b>                     |
| 8"           | cam arm and pin for new coupler design | <b>800-HNP-BR</b> | ---                                 | ---                                   |

## Locking Handle for Dixon® Dust Caps

**Feature:**

- not supplied with pins

| Coupler Size | Hole Diameter | Brass Part #     | 316 Investment Stainless Steel Part # |
|--------------|---------------|------------------|---------------------------------------|
| 2"           | 9/32"         | <b>200-LH-BR</b> | <b>200-LH-SI</b>                      |
| 3"           | 5/16"         | <b>300-LH-BR</b> | <b>300-LH-SI</b>                      |
| 4"           | 3/8"          | <b>400-LH-BR</b> | <b>400-LH-SI</b>                      |



## Paddle Handle for Dixon® Couplings

**Feature:**

- not supplied with pins

| Coupler Size | Brass Part #      |
|--------------|-------------------|
| 3" and 4"    | <b>300H-PADBR</b> |

| Coupler Size | 316 Investment Cast Stainless Steel Part # |
|--------------|--|
| 3" and 4"    | <b>300H-PADSS</b>                          |



## Boss-Lock™ Standard Handle Assemblies

assembly includes cam arm, pin and pull ring safety clip

| Coupler Size | Brass Part #   | 316 Investment Cast Stainless Steel Part # | Plated Iron Part # |
|--------------|----------------|--|--------------------|
| ¾" - 1"      | <b>BHSC175</b> | <b>RHSC175</b>                             | ---                |
| 1¼" - 2½"    | <b>BHSC152</b> | <b>RHSC152</b>                             | <b>IHSC152</b>     |
| 3" and 4"    | <b>BHSC34</b>  | <b>RHSC34</b>                              | <b>IHSC34</b>      |



assembly includes cam arm, pin and pull ring

| Coupler Size | Brass Part # | Plated Iron Part # |
|--------------|--------------|--------------------|
| 3" and 4"    | ---          | ---                |



## EZ Boss-Lock™ Handles

**Features:**

- investment cast stainless steel cam arm and lever
- 316 stainless steel spring
- stainless steel pin, washer, plated carbon steel pull ring



| Coupler Size | 316 Stainless Steel<br>Part # |
|--------------|-------------------------------|
| ¾" - 1"      | <b>RHEZ175</b>                |
| 1¼" - 2½"    | <b>RHEZ152</b>                |
| 3" and 4"    | <b>RHEZ34</b>                 |
| 6" and 8"    | <b>RHEZ6</b>                  |

Under no circumstances should the EZ Boss-Lock™ cam arms be used on any fitting not specifically produced for their use. The aluminum, brass and iron are made from sand castings. To ensure proper functioning of the EZ Boss-Lock™ cam arm assemblies, we sort the castings to ensure there is sufficient length and orientation on the lugs on the main casting to engage the lever. We also buff or grind the rougher sand cast surface to ensure that the lever will move freely. *The EZ Boss-Lock™ cam arms cannot be retrofitted onto existing aluminum, brass or plated iron Boss-Lock™ already in service.*



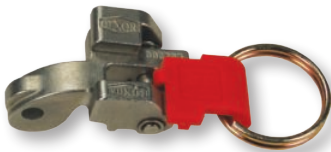
## Vent-Lock™ Handles

### Dixon® Handle / Ring / Pin



| Coupler Size | 316 Stainless Steel<br>Part # |
|--------------|-------------------------------|
| 1"           | <b>L100-HSCR-P-SI</b>         |
| 1¼" - 2"     | <b>L200-HSCR-P-SI</b>         |

### EZ Boss-Lock® Handle / Ring / Pin



| Coupler Size | 316 Stainless Steel<br>Part # |
|--------------|-------------------------------|
| 1"           | <b>LRHEZ175</b>               |
| 1¼" - 2"     | <b>LRHEZ152</b>               |
| 3"           | <b>LRHEZ34</b>                |

## EZLink™ Replacement Kits

**Feature:**

- kit contains: 2 pins, 2 springs and 2 tabs



| Size      | A356 Aluminum<br>Part # |
|-----------|-------------------------|
| 2"        | <b>EZL200RPLKIT</b>     |
| 3" and 4" | <b>EZL300RPLKIT</b>     |

## Pull Ring Safety Clips for EZLink™ Couplings



| Carbon Steel<br>Part # |
|------------------------|
| <b>EZLCL400</b>        |

## Replacement Gaskets



| Size | Buna-N<br>Part #   | Fluorosilicone<br>Part # | Viton™<br>Part #   |
|------|--------------------|--------------------------|--------------------|
| 2"   | <b>EZL200-G-BU</b> | <b>EZL200-G-FV</b>       | <b>EZL200-G-VI</b> |
| 3"   | <b>EZL300-G-BU</b> | <b>EZL300-G-FV</b>       | <b>EZL300-G-VI</b> |

## Witches Hat Strainers

**Features:**

- used with female cam and groove couplings
- pre-attached Buna-N gasket

| Size | 304 Stainless Steel<br>Part # | Buna-N Gasket<br>Part # |
|------|-------------------------------|-------------------------|
| 3"   | <b>WH300-A</b>                | <b>WH300-G</b>          |
| 4"   | <b>WH400-A</b>                | <b>WH400-G</b>          |

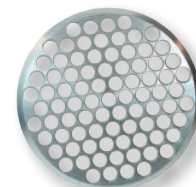


## Disk Strainers

**Features:**

- threads into bottom of female NPT fitting to protect equipment from large contaminants
- 304 stainless steel parts are investment castings

| Size | Hole Size | 6061T6 Aluminum<br>Part # | 304 Stainless Steel<br>Part # |
|------|-----------|---------------------------|-------------------------------|
| 2"   | 1/4"      | <b>SDA200</b>             | <b>SDS200</b>                 |
| 3"   | 1/4"      | <b>SDA300</b>             | <b>SDS300</b>                 |
| 4"   | 1/4"      | <b>SDA400</b>             | <b>SDS400</b>                 |



## Pull Ring Safety Clips for Boss-Lock™ Couplings

| Coupler Size    | Carbon Steel<br>Part # | 316 Stainless Steel<br>Part # |
|-----------------|------------------------|-------------------------------|
| 3/4" - 1"       | ---                    | <b>100PRSCSS</b>              |
| 1 1/4" - 2 1/2" | <b>200PRSCCS</b>       | <b>200PRSCSS</b>              |
| 3" and 4"       | <b>300PRSCCS</b>       | <b>300PRSCSS</b>              |



## Stainless Steel Pull Ring

| 304 Stainless Steel<br>Part # |
|-------------------------------|
| <b>R200SS</b>                 |



## Clips and Lanyards for Boss-Lock™ Couplings

**Features:**

- carbon steel clip
- nylon lanyard

| Coupler Size | Part #      |
|--------------|-------------|
| 3/4" - 1"    | <b>ACL4</b> |
| 1 1/4" - 4"  | <b>ACL2</b> |


**Features:**

- carbon steel clip
- no lanyard supplied with this clip

| Coupler Size | Part #      |
|--------------|-------------|
| 6"           | <b>ACL3</b> |



## Bottle Opener

| Brass<br>Part #  |
|------------------|
| <b>CAMOPENER</b> |





coupler sold separately

## Locking Cam Arm Velcro® Straps

**Applications:**

- use with cam and groove couplers to prevent spills, secure from damage, and hold in place during transport

**Features:**

- high visibility orange hook and loop with metal buckle provides strength, durability and long life
- used on the female end of the cam and groove coupler

| Length | Used On                | Part #       |
|--------|------------------------|--------------|
| 12"    | fits up to 1½" coupler | <b>CVS12</b> |
| 18"    | fits up to 3" coupler  | <b>CVS18</b> |
| 24"    | fits up to 5" coupler  | <b>CVS24</b> |
| 36"    | fits up to 8" coupler  | <b>CVS36</b> |

## Carbon Steel Clip Assembly



**Features:**

- for use with Boss-Lock™ couplings
- includes a pull ring, chain and AC3 clip

| Part #           |
|------------------|
| <b>BLCA152CS</b> |

## Clip for Boss-Lock™ Couplings



**Feature:**

- .072 stainless steel wire

| Material               | Part #     |
|------------------------|------------|
| <i>Stainless Steel</i> | <b>AC7</b> |

## Lanyard for Boss-Lock™ Couplings



**Feature:**

- breaking strength: 160 lbs.

| 304 Stainless Part # | Overall Length |
|----------------------|----------------|
| <b>LR7</b>           | 7"             |

## Jack Chains with S-Hooks



| Length | Material            | Part #          | Opt Qty |
|--------|---------------------|-----------------|---------|
| 6"     | <i>brass</i>        | <b>CH-B-6</b>   | 10      |
| 12"    | <i>brass</i>        | <b>CH-B-12</b>  | 10      |
| 24"    | <i>brass</i>        | <b>CH-B-24</b>  | ---     |
| 12"    | <i>carbon steel</i> | <b>CH-C-12</b>  | 10      |
| 6"     | <i>stainless</i>    | <b>CH-SS-6</b>  | 10      |
| 12"    | <i>stainless</i>    | <b>CH-SS-12</b> | 10      |
| 24"    | <i>stainless</i>    | <b>CH-SS-24</b> | 10      |

## Sash Chains with Pull Rings



**Feature:**

- brass chain, plated steel pull ring

| Length | Part #      |
|--------|-------------|
| 4½"    | <b>J125</b> |
| 6½"    | <b>J150</b> |
| 8½"    | <b>J300</b> |
| 12¾"   | <b>J500</b> |

## PVC Coated Lanyards



**Features:**

- PVC coated carbon steel with aluminum crimp sleeves
- one end factory crimped, one end uncrimped for field installation

| Length | Part #       |
|--------|--------------|
| 15"    | <b>CAL15</b> |



## Cam and Groove Gaskets



### Feature:

- white neoprene and white Buna-N gaskets all contain FDA approved materials

| Size   | Buna-N<br>Part # | FKM<br>Part #   | Extra thick Buna-N<br>Part # | Ethylene Propylene<br>Part # |
|--------|------------------|-----------------|------------------------------|------------------------------|
| 1/2"   | <b>50-G-BU</b>   | <b>50-G-VI</b>  | ---                          | ---                          |
| 3/4"   | <b>75-G-BU</b>   | <b>75-G-VI</b>  | ---                          | <b>75-G-EPR</b>              |
| 1"     | <b>100-G-BU</b>  | <b>100-G-VI</b> | <b>100GTHK</b>               | <b>100-G-EPR</b>             |
| 1 1/4" | <b>125-G-BU</b>  | <b>125-G-VI</b> | <b>125GTHK</b>               | <b>125-G-EPR</b>             |
| 1 1/2" | <b>150-G-BU</b>  | <b>150-G-VI</b> | <b>150GTHK</b>               | <b>150-G-EPR</b>             |
| 2"     | <b>200-G-BU</b>  | <b>200-G-VI</b> | <b>200GTHK</b>               | <b>200-G-EPR</b>             |
| 2 1/2" | <b>250-G-BU</b>  | <b>250-G-VI</b> | <b>250GTHK</b>               | <b>250-G-EPR</b>             |
| 3"     | <b>300-G-BU</b>  | <b>300-G-VI</b> | <b>300GTHK</b>               | <b>300-G-EPR</b>             |
| 4"     | <b>400-G-BU</b>  | <b>400-G-VI</b> | <b>400GTHK</b>               | <b>400-G-EPR</b>             |
| 5"     | <b>500-G-BU</b>  | <b>500-G-VI</b> | ---                          | ---                          |
| 6"     | <b>600-G-BU</b>  | <b>600-G-VI</b> | <b>600GTHK</b>               | ---                          |
| 8"     | <b>800-G-BU</b>  | <b>800-G-VI</b> | ---                          | ---                          |

| Size   | Neoprene<br>Part # | White Neoprene<br>Part # | White Buna-N<br>Part # | Silicone<br>Part # |
|--------|--------------------|--------------------------|------------------------|--------------------|
| 1/2"   | ---                | ---                      | ---                    | ---                |
| 3/4"   | <b>75-G-NE</b>     | ---                      | ---                    | ---                |
| 1"     | <b>100-G-NE</b>    | ---                      | ---                    | ---                |
| 1 1/4" | <b>125-G-NE</b>    | ---                      | ---                    | ---                |
| 1 1/2" | <b>150-G-NE</b>    | <b>150-G-WNE</b>         | ---                    | <b>150-G-SIL</b>   |
| 2"     | <b>200-G-NE</b>    | <b>200-G-WNE</b>         | ---                    | <b>200-G-SIL</b>   |
| 2 1/2" | <b>250-G-NE</b>    | ---                      | ---                    | ---                |
| 3"     | <b>300-G-NE</b>    | <b>300-G-WNE</b>         | <b>300-G-WB</b>        | <b>300-G-SIL</b>   |
| 4"     | <b>400-G-NE</b>    | <b>400-G-WNE</b>         | <b>400-G-WB</b>        | <b>400-G-SIL</b>   |
| 5"     | ---                | <b>500-G-WNE</b>         | ---                    | ---                |
| 6"     | ---                | <b>600-G-WNE</b>         | ---                    | ---                |
| 8"     | ---                | ---                      | ---                    | ---                |

## Cam and Groove Fuel Gaskets

| Size   | Part #           | Material           |
|--------|------------------|--------------------|
| 1 1/2" | <b>150-G-BF</b>  | Buna               |
| 2"     | <b>200-G-BF</b>  | Buna               |
| 3"     | <b>300-G-BF</b>  | Buna               |
| 4"     | <b>400-G-BF</b>  | Buna               |
| 3"     | <b>300GTHKBF</b> | extra thick Buna-N |
| 4"     | <b>400GTHKBF</b> | extra thick Buna-N |



## PTFE Cam and Groove Gaskets

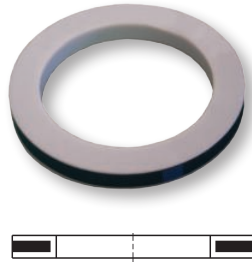
The torque (force) required to close the handles on a pair of cam and groove fittings will vary according to the gasket chosen. Due to the nature of the PTFE material, the various PTFE gasket designs will require the most torque, increasing as you go from envelope to encapsulated, and finally, accordion.

### Features:



- PTFE white Buna filler (TFWB) and PTFE encapsulated silicone (TES) all contain FDA approved materials
- PTFE accordion gaskets (TFACC) are recommended for use with viscous (thick) fluids only
- encapsulated gasket pressure ratings are reduced to **125 PSI** for ¾" - 4" at ambient temperature **70°F (21°C)**
- PTFE encapsulated FKM (TEV) gaskets - maximum operating temperature **200°F (93°C)**
- PTFE encapsulated silicone gaskets (TES) gaskets - maximum operating temperature **225°F (107°C)**
- *maximum operating temperatures for specific chemicals may be lower, contact Dixon® for specific recommendations*

### Envelope



Envelope

| Size | PTFE (TFE) with Buna-N filler<br>Part # | PTFE (TFE) with FKM filler<br>Part # | PTFE (TFE) with white Buna-N filler<br>Part # | PTFE (TFE) with Ethylene Propylene filler<br>Part # |
|------|---|--------------------------------------|---|---|
| ½"   | <b>50-G-TF</b>                          | <b>50-G-TF-VI</b>                    | ---   | ---   |
| ¾"   | <b>75-G-TF</b>                          | <b>75-G-TF-VI</b>                    | ---   | ---   |
| 1"   | <b>100-G-TF</b>                         | <b>100GTFVI</b>                      | ---   | ---   |
| 1¼"  | <b>125-G-TF</b>                         | <b>125GTFVI</b>                      | ---   | ---   |
| 1½"  | <b>150-G-TF</b>                         | <b>150GTFVI</b>                      | ---   | <b>150GTFEP</b>                                     |
| 2"   | <b>200-G-TF</b>                         | <b>200GTFVI</b>                      | <b>200GTFWB</b>                               | <b>200GTFEP</b>                                     |
| 2½"  | <b>250-G-TF</b>                         | <b>250GTFVI</b>                      | ---   | ---   |
| 3"   | <b>300-G-TF</b>                         | <b>300GTFVI</b>                      | <b>300GTFWB</b>                               | <b>300GTFEP</b>                                     |
| 4"   | <b>400-G-TF</b>                         | <b>400GTFVI</b>                      | <b>400GTFWB</b>                               | ---   |
| 5"   | ---                                     | ---                                  | <b>500GTFWB</b>                               | ---   |
| 6"   | <b>600-G-TF</b>                         | <b>600GTFVI</b>                      | ---   | ---   |

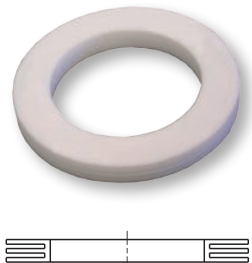
### Encapsulated



Encapsulated

| Size | PTFE (FEP) encapsulated silicone<br>Part # | PTFE (FEP) encapsulated FKM<br>Part # |
|------|--|---------------------------------------|
| ¾"   | <b>75-G-TES</b>                            | <b>75-G-TEV</b>                       |
| 1"   | <b>100-G-TES</b>                           | <b>100-G-TEV</b>                      |
| 1¼"  | <b>125-G-TES</b>                           | <b>125-G-TEV</b>                      |
| 1½"  | <b>150-G-TES</b>                           | <b>150-G-TEV</b>                      |
| 2"   | <b>200-G-TES</b>                           | <b>200-G-TEV</b>                      |
| 2½"  | <b>250-G-TES</b>                           | <b>250-G-TEV</b>                      |
| 3"   | <b>300-G-TES</b>                           | <b>300-G-TEV</b>                      |
| 4"   | <b>400-G-TES</b>                           | <b>400-G-TEV</b>                      |

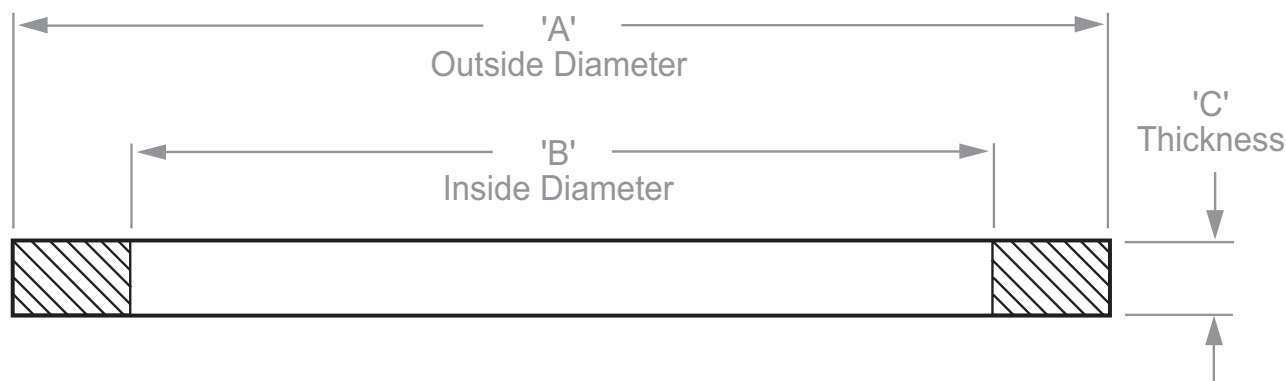
### Accordion



Accordion

| Size | PTFE (TFE)<br>Part # |
|------|----------------------|
| ¾"   | <b>75GTFACC</b>      |
| 1"   | <b>100GTFACC</b>     |
| 1¼"  | <b>125GTFACC</b>     |
| 1½"  | <b>150GTFACC</b>     |
| 2"   | <b>200GTFACC</b>     |
| 3"   | <b>300GTFACC</b>     |

## Dixon® Cam and Groove Gasket Dimensions



- nominal dimensions for Dixon® elastomeric cam and groove gaskets are listed
- ID's of the PTFE envelope gaskets and the PTFE accordion gaskets are  $1/16"$  smaller than the ID's for the elastomeric gaskets shown below
- thickness of PTFE accordion gaskets may vary from chart below

| Size   | Part #                    | Dimensions |          |       |
|--------|---------------------------|------------|----------|-------|
|        |                           | 'A'        | 'B'      | 'C'   |
| 1/2"   | <b>50-G</b> <sup>1</sup>  | 1-1/32"    | 11/16"   | .156" |
| 3/4"   | <b>75-G</b>               | 1-3/8"     | 7/8"     | .218" |
| 1"     | <b>100-G</b>              | 1-9/16"    | 1-1/16"  | .250" |
| 1 1/4" | <b>125-G</b>              | 1-15/16"   | 1-23/64" | .250" |
| 1 1/2" | <b>150-G</b>              | 2-3/16"    | 1-5/8"   | .250" |
| 2"     | <b>200-G</b>              | 2-5/8"     | 2"       | .250" |
| 2 1/2" | <b>250-G</b>              | 3-1/8"     | 2-3/8"   | .250" |
| 3"     | <b>300-G</b>              | 3-23/32"   | 3"       | .250" |
| 4"     | <b>400-G</b>              | 4-7/8"     | 4"       | .250" |
| 5"     | <b>500-G</b>              | 5-15/16"   | 4-7/8"   | .250" |
| 6"     | <b>600-G</b>              | 7-1/16"    | 6"       | .250" |
| 8"     | <b>800-G</b> <sup>1</sup> | 9-5/16"    | 8-1/8"   | .343" |

<sup>1</sup> No interchange standard exists for the 1/2" and 8" fittings. Generally, these sizes do not interchange with other manufacturer's products. As such, the gaskets in these sizes are not suitable for use in other manufacturers' couplings.



## Dixon® Cam and Groove Gasket Color Codes

| Gasket Code <sup>1</sup> | Gasket Material  | Material Color      | Color code stripes<br>(appear on the OD of the gasket or filler) |
|--------------------------|--|---------------------|--|
| <b>-BU</b>               | Buna-N (standard in all metal fittings)                              | black               | 1 blue   |
| <b>-BF</b>               | Buna (formulated for fuel service)                                   | black               | 1 green  |
| <b>-VI</b>               | FKM  | black               | 1 yellow   |
| <b>-THK</b>              | Extra Thick Buna   | black               | 2 blue   |
| <b>-EPR</b>              | Ethylene Propylene   | black               | 1 white  |
| <b>-NE</b>               | Neoprene   | black               | 1 red  |
| <b>-WNE</b>              | White Neoprene, FDA approved material                                | white               | none   |
| <b>-WB</b>               | White Buna N, FDA approved material                                  | white               | blue   |
| <b>-SIL</b>              | Silicone   | red                 | none   |
| <b>-TF</b>               | PTFE (TFE) Envelope with Buna-N filler                               | white / black       | 1 blue   |
| <b>TFVI</b>              | PTFE (TFE) Envelope with FKM filler                                  | white / black       | 1 yellow   |
| <b>TFWB</b>              | PTFE (TFE) Envelope with White Buna-N filler, FDA approved materials | white / white       | blue   |
| <b>TFEP</b>              | PTFE (TFE) Envelope with Ethylene Propylene filler                   | white / black       | 1 white stripe   |
| <b>-TES</b>              | PTFE (FEP) Encapsulated Silicone core, FDA approved materials        | translucent / red   | none   |
| <b>-TEV</b>              | PTFE (FEP) Encapsulated FKM core                                     | translucent / black | none   |
| <b>TFACC</b>             | PTFE (TFE) Accordion, FDA approved materials                         | white               | none   |

<sup>1</sup> part number suffix

Since other manufacturer's coding systems vary, this chart should not be used as a reference in identifying gaskets of

Dixon® is recognized as the premier manufacturer and supplier of hose fittings and accessories spanning a wide range of industrial uses. Dixon®'s range includes products for food, dairy processing, beverage and brewery, mobile tankers, mining, construction, chemical processing, petroleum, oilfields, refining and manufacturing.

[dixonvalve.com](http://dixonvalve.com) • *Customer Service:* 877.963.4966



*The Right Connection®*

**Dixon®**

800 High Street, Chestertown, MD 21620

ph: 877.963.4966

fx: 800.283.4966

connect with us



**GOODYEAR**  
RUBBER PRODUCTS, INC.

 +1.727.342.5087

También puede enviarnos un correo electrónico a [ventas@goodyearrubberproducts.com](mailto:ventas@goodyearrubberproducts.com)